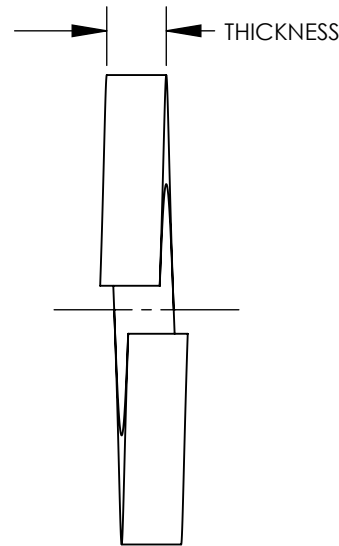
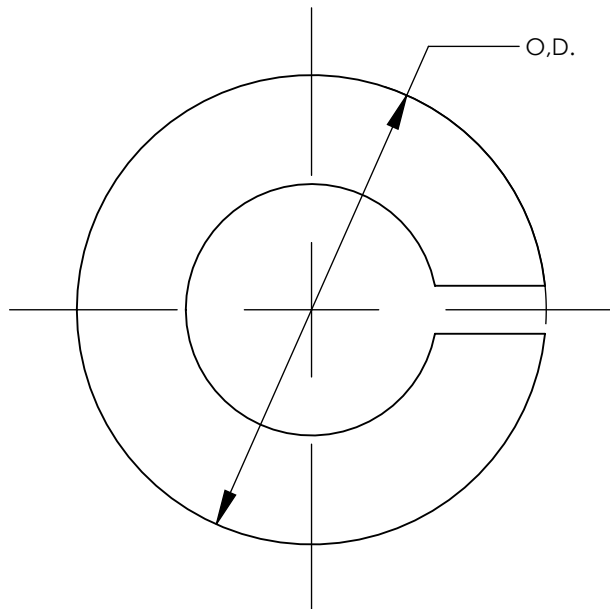


THIS COPY IS PROVIDED ON A RESTRICTED BASIS AND IS NOT TO BE USED IN ANY WAY DETRIMENTAL TO THE INTERESTS OF PANDUIT CORP.

NOTES:

1. MATERIAL: SILICON BRONZE
2. DIMENSIONS IN BRACKETS ARE MILLIMETERS
3. PKG. QTY.:
C = 100

PART NUMBER	NOMINAL SIZE	THICKNESS	O.D.
SBSLW25-C	1/4	.062 [1.57]	.49 [12.4]
SBSLW31-C	5/16	.078 [1.98]	.58 [14.8]
SBSLW38-C	3/8	.094 [2.39]	.68 [17.3]
SBSLW44-C	7/16	.109 [2.77]	.78 [19.7]
SBSLW50-C	1/2	.125 [3.18]	.87 [22.1]
SBSLW62-C	5/8	.156 [3.96]	1.07 [27.3]



REV	DATE	BY	CHK	APR	DESCRIPTION	ECN
00	2/16	JHNU	JHNU	RGB	DRAWING RELEASED	15J350BD-DC

TITLE SILICON BRONZE SPLIT LOCKWASHER (SBSLW SERIES) CUSTOMER DRAWING			
ITEM REVISION NAME		15J350BD/00	
DATASET FILE NAME		15J350BD-DC/00.SLDDRW	
UNLESS OTHERWISE SPECIFIED, DIMENSIONAL TOLERANCES ARE: IN [mm]			
.X ±		.XXX ±	
.XX ± .02 [0.5]		ANGLES ±	
		THIRD ANGLE PROJECTION	
DRAWN BY		DATE	
JHNU		2/16	
CHK		SCALE	
RGB		N/A	
DRAWING NUMBER			15J350BD-DC
SHEET 1 OF 1			SIZE A



MATERIAL
SEE NOTES

DRAWING NUMBER
15J350BD-DC

SHEET 1 OF 1

SIZE
A

X-ON Electronics

Largest Supplier of Electrical and Electronic Components

Click to view similar products for [Circular MIL Spec Tools, Hardware & Accessories](#) *category:*

Click to view products by [Panduit](#) *manufacturer:*

Other Similar products are found below :

[0113-201-2025](#) [600-079-06](#) [600-146-06](#) [M10-101983-183](#) [M10-454396-008](#) [602GB18808](#) [6134-333-1990](#) [6134-334-1590](#) [6134-334-2190](#)
[CS3102A-22-14PW](#) [M2887615-CD](#) [627-009](#) [M38999/9-19B](#) [630A007NF083A](#) [630B007M051A](#) [630BJ003NF032H](#) [637-149NF04B](#)
[M39029/29-215](#) [6408-203V-09273](#) [6426-201-11343](#) [650FS002NF16](#) [660-008NF14S7-01](#) [660-009M22H8-03](#) [660-013NF19U6-210](#) [660-](#)
[015M10S6-17](#) [660-015NF10S5-01](#) [660-015NF14R3.5-01](#) [660-023NF19H6-19](#) [660-024NF11S12-01](#) [660-024NF11S3-01](#) [660-024NF17S4-](#)
[109](#) [660-050XM17F4-01](#) [660-068NF25R6-30G](#) [660-070M23S8-04](#) [660-073MTCH9-20](#) [M83723/61-18W](#) [M83723/61-218R](#) [M83723/61-](#)
[224W](#) [667-084-23C](#) [667-084-35C](#) [667-224NF16](#) [687-697NF-1](#) [M85049/94-10-A](#) [M85049/96-7-A](#) [M855282-10A01A](#) [M85528/2-10B](#)
[M855282-18A01A](#) [M85528/2-22A01A](#) [M85528/2-22AA](#) [710HS460NF2508](#)