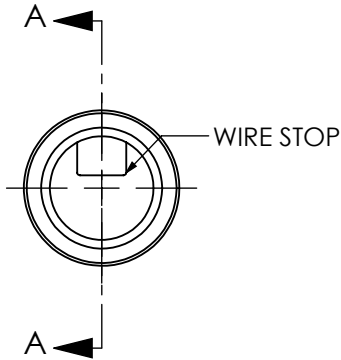
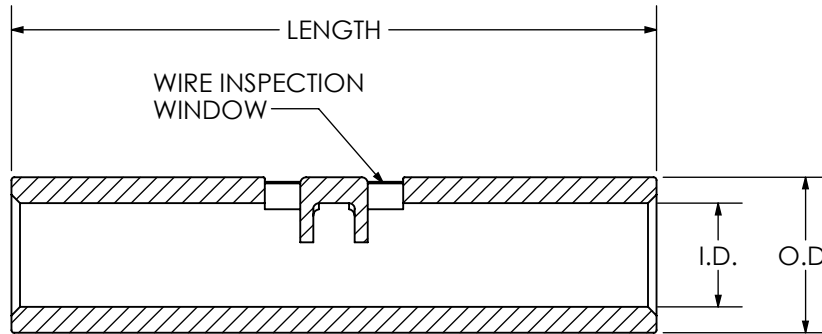
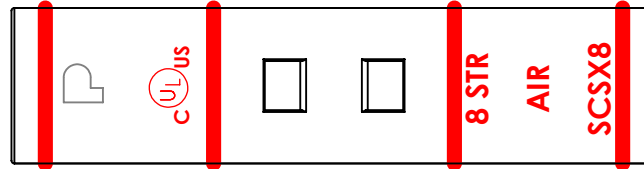


THIS COPY IS PROVIDED ON A RESTRICTED BASIS AND IS NOT TO BE USED IN ANY WAY DETRIMENTAL TO THE INTERESTS OF PANDUIT CORP.

| PART NUMBER | WIRE SIZE | WIRE TYPE | WIRE STRIP LENGTH | COLOR CODE | DIE INDEX NUMBER | DIMENSIONS - IN [mm] | | |
|-------------|-----------|---|-------------------|------------|------------------|----------------------|-----------------|-----------------|
| | | | | | | LENGTH ± .08 [2] | O.D. ± .02 [.5] | I.D. ± .02 [.5] |
| SCSX8 | #8 STR | COMPACT, B, C, G, H, I, K, M, LOCOMOTIVE, MIL-W-5086 | 9/16" | RED | P21 | 1.12 [28.5] | 0.27 [6.9] | 0.18 [4.6] |
| SCSX6 | #6 STR | | 9/16" | BLUE | P24 | 1.12 [28.5] | 0.31 [7.9] | 0.22 [5.6] |
| SCSX4 | #4 STR | | 5/8" | GRAY | P29 | 1.18 [30.0] | 0.38 [9.7] | 0.28 [7.1] |
| SCSX2/0 | #2/0 STR | | 7/8" | BLACK | P45 | 1.82 [46.2] | 0.64 [16.3] | 0.51 [13.0] |
| SCSX4/0+ | #4/0 STR | | 1-1/16" | PURPLE | P54 | 2.24 [56.9] | 0.81 [20.7] | 0.65 [16.5] |

+ SCSX4/0 Not UL listed with Class M Wire.



NOTES:

1. MATERIAL: HIGH CONDUCTIVITY SEAMLESS COPPER TUBE
2. PLATING: ELECTRO-TIN
3. SEE WWW.PANDUIT.COM FOR PACKAGING QUANTITIES.



| REV | DATE | BY | CHK | APR | DESCRIPTION | ECN |
|-----|-------|------|------|-----|------------------|-------------|
| 00 | 12/16 | JHNU | JLOV | RGB | DRAWING RELEASED | 00127LBK-DC |

| | | | |
|--|-----------------------|------------------------------------|------------------|
| TITLE | | WINDOW SPLICES, SCSX SERIES | |
| | | CUSTOMER DRAWING | |
| ITEM REVISION NAME | 00127LBK/00 | | |
| DATASET FILE NAME | 00127LBK-DC/00.SLDDRW | | |
| UNLESS OTHERWISE SPECIFIED, DIMENSIONAL TOLERANCES ARE: IN [mm] | | PANDUIT | |
| .X ± | .XXX ± | | |
| .XX ± .02 [.5] | ANGLES ± | TIN PLATED COPPER | |
| | | THIRD ANGLE PROJECTION | |
| DRAWN BY | DATE | CHK | SCALE |
| JHNU | 12/16 | RGB | N/A |
| DRAWING NUMBER | | | 00127LBK-DC |
| SHEET 1 OF 1 | | | SIZE A |

X-ON Electronics

Largest Supplier of Electrical and Electronic Components

Click to view similar products for [Terminals](#) category:

Click to view products by [Panduit](#) manufacturer:

Other Similar products are found below :

[00-054007-01074-6](#) [00-054007-70206-1](#) [00-054007-70210-8](#) [00-054007-70217-7](#) [00-054007-70226-9](#) [00-054007-70228-3](#) [00-054007-70248-1](#) [00-054007-70256-6](#) [00-054007-70301-3](#) [00-054007-70316-7](#) [0-0320562-0](#) [00-054007-49560-4](#) [00-054007-70209-2](#) [00-054007-70225-2](#) [00-054007-70227-6](#) [00-054007-70231-3](#) [00-054007-70241-2](#) [00-054007-70242-9](#) [00-054007-70244-3](#) [00-054007-70246-7](#) [00-054007-70263-4](#) [00-054007-70288-7](#) [00-054007-70290-0](#) [00-054007-70300-6](#) [00-054007-70304-4](#) [01-2065-1-0216](#) [01-2900-1-04412](#) [00581P0075](#) [600TS-10](#) [60205-1](#) [604200-1](#) [605601-1](#) [60598-1-CUT-TAPE](#) [61314-6-C](#) [61810-3](#) [61-S](#) [61-SN](#) [626-0194](#) [62-NBM-A](#) [62-SN](#) [62-SP](#) [640179-1](#) [M55155/059I03](#) [M55155/079C01](#) [M55155/099H02](#) [M55155/109H01](#) [M55155/109H02](#) [M55155/12XH05](#) [M55155/16XH02](#) [M55155/29-5S](#)