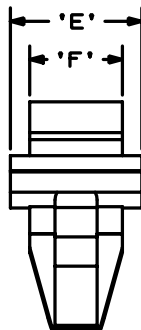
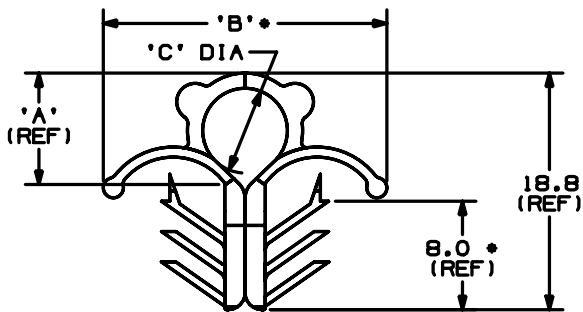
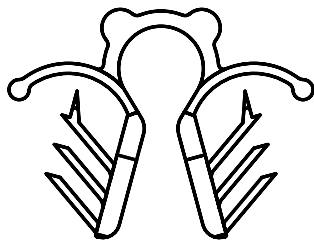


THIS COPY IS PROVIDED ON A RESTRICTED BASIS AND IS NOT TO BE USED IN ANY WAY DETRIMENTAL TO THE INTERESTS OF PANDUIT CORPORATION.

PANDUIT PART NO.	BUNDLE DIA MIN - MAX.	DIMENSIONS						MATERIAL	COLOR	WEIGHT grams 100 pcs
		'A'	'B'	'C'		'E'	'F'			
SICW06A10-...30	6.4	8.4	18	6.4		10	7	HEAT STABILIZED NYLON 6/6	BLACK	70



SCALE: FULL

NOTES:

1. SEE CURRENT PRICE SHEET FOR PART NUMBER SUFFIX DESIGNATION FOR PACKAGE SIZE, AND COLOR.
2. (*) DIMENSIONAL VARIANCE IS POSSIBLE DUE TO MOLDING PROCESS RELATED SINK MARKS.
3. APPLICATION SPECIFICATION:
HOLE DIAMETER: 8.3 - 10.5 mm
PANEL THICKNESS: 1.0 - 5.7 mm

CAD FILENAME/LAYERS				G01932BG_PB_SICW06A10_03			
PANDUIT CORP.				TINLEY PARK, ILLINOIS			
SNAP IN CLIP							
Unless otherwise specified, all dimensions are metric tolerance; ±0.5mm							
DRAWN BY	JAD	MAT'L:		SCALE		2X	
DATE	5-7-98	SEE TABLE		DRAWING NO.		DWG	
CHK'D				GB1932BG		A	
						SIZE	

REV	DATE	BY	CHK	DESCRIPTION	ECN	R	CUST	SUP
3	2/9/04	JAD		REMOVE APPLICATION SPEC VIEW	GB1932BG	3		

X-ON Electronics

Largest Supplier of Electrical and Electronic Components

Click to view similar products for [Cable Mounting & Accessories](#) category:

Click to view products by [Panduit](#) manufacturer:

Other Similar products are found below :

[582603-1](#) [009333-000](#) [727844N003](#) [747](#) [809090N001](#) [843188-000](#) [8666](#) [967279N002](#) [DB-11](#) [1300840039](#) [1300900096](#) [1301800416](#)
[1302264450](#) [1300830184](#) [1300830729](#) [1300900039](#) [1301580036](#) [1301850553](#) [1301860939](#) [1302000074](#) [1302261315](#) [1302264431](#)
[1337706-2](#) [APA18-AK](#) [1724](#) [1-787307-1](#) [185491N001](#) [1868](#) [HP-6N](#) [C-202-C](#) [202C221-13-0](#) [CA7308-000](#) [8S23-75FR-CS8184](#) [2684](#) [9648](#)
[3089](#) [988382-000](#) [A72821-000](#) [AA401](#) [173506-000](#) [1823](#) [202C292-13-0](#) [202C302-13-0](#) [2109](#) [300625](#) [3330](#) [3412](#) [356247-1](#) [M9142](#)
[M9143](#)