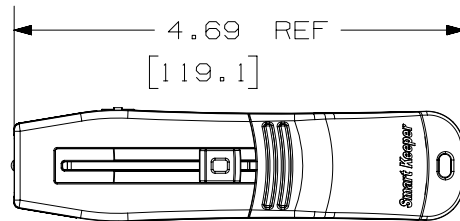
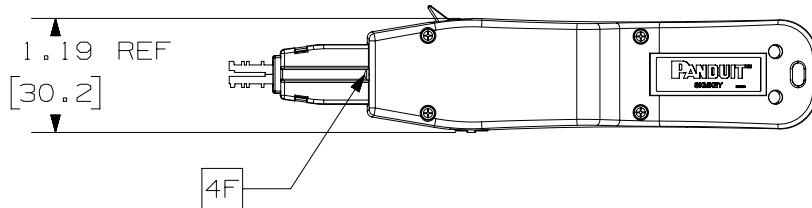
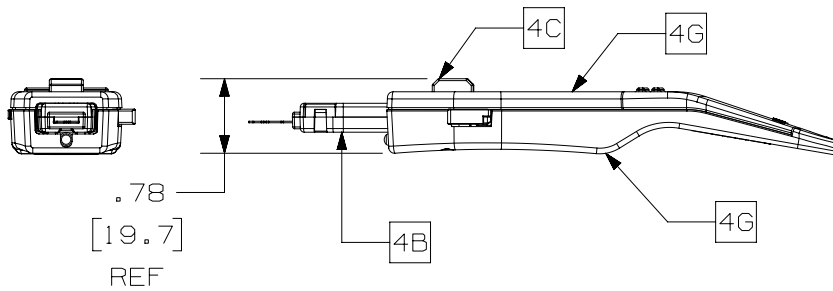
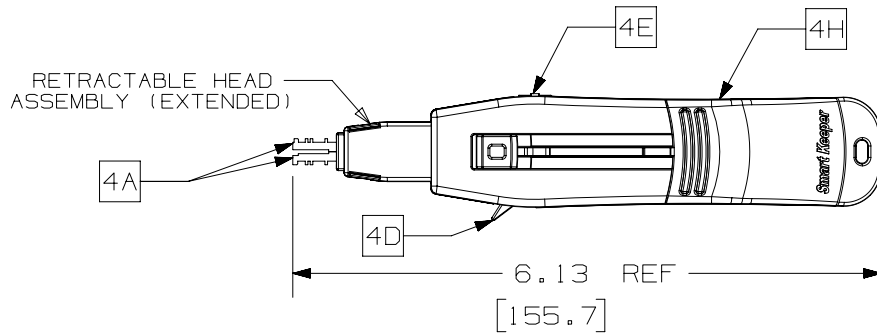
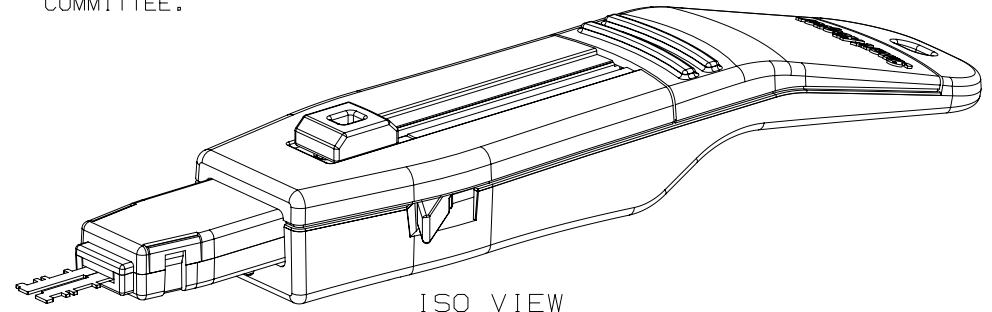


THIS COPY IS PROVIDED ON A RESTRICTED BASIS AND IS NOT TO BE USED IN ANY WAY DETRIMENTAL TO THE INTERESTS OF PANDUIT CORP.



VIEW SHOWING HEAD ASSEMBLY IN RETRACTED POSITION

- NOTES:
- VISIT OUR ON-LINE CATALOG AT WWW.PANDUIT.COM FOR A LIST OF CURRENT PARTS APPLICABLE USE WITH THIS PRODUCT.
  - PRODUCT IS USED TO REMOVE THE SMARTKEEPER BLOCKOUT DEVICES WITH UNIQUE AND CONFIDENTIAL FEMALE KEYED MOLDED IN FEATURES.
  - SEE INSTALLATION INSTRUCTION FOR PROPER USE OF PRODUCT.
  - PARTS INCLUDES (DESCRIPTION: MATERIAL/COLOR):
    - UNIQUE AND CONFIDENTIAL MALE KEYED BLADES: STAINLESS STEEL/NATURAL FINISH.
    - RETRACTABLE HEAD ASSEMBLY: POLYCARBONATE (PC)/COLOR: BLACK.
    - TOPSIDE BUTTON: POLYCARBONATE (PC)/COLOR: RED.
    - SIDE BUTTON: POLYCARBONATE (PC)/COLOR: RED.
    - LIGHT SWITCH: POLYCARBONATE (PC)/COLOR: RED.
    - LIGHT: POLYCARBONATE (PC)/COLOR: CLEAR.
    - MAIN BODY SHELLS: HIGH STRENGTH DIECAST METAL/COLOR: SILVER GREY.
    - ANTI-STATIC GRIP: NEOPRENE/COLOR: BLACK.
  - PRODUCT IS DESIGNED FOR INDOOR USE ONLY.
  - OPERATING TEMPERATURE AND HUMIDITY RANGE:
    - TEMPERATURE RANGE: -4°F (-20°C) TO +140°F (+60°C)
    - HUMIDITY RANGE: 10-70% NON-CONDENSING RELATIVE HUMIDITY.
  - STORAGE CONDITIONS:
    - TEMPERATURE RANGE: -4°F (-20°C) TO +140°F (+60°).
    - HUMIDITY RANGE: 10-80% NON-CONDENSING RELATIVE HUMIDITY.
  - WEIGHT: 0.14 LBS/ (1) PCS [64.6 grams/ (1) PCS].
  - DIMENSIONS IN [ ] ARE METRIC.
  - ALL MATERIALS AND COMPONENTS USED MEET THE MATERIALS RESTRICTIONS OF RoHs, (EUROPEAN DIRECTIVE 2011/65/EU ON THE RESTRICTION OF HAZARDOUS SUBSTANCES) AS PROPOSED BY THE RoHs TECHNICAL ADAPTATION COMMITTEE.



ISO VIEW  
1:1 SCALE

PART NUMBER		SKMKEY		
TITLE		SMARTKEEPER MASTER KEY		
ITEM REVISION NAME		CUSTOMER DRAWING		
DATASET FILE NAME		00402NAA/00		
MATERIAL		SEE NOTES		
DRAWING NUMBER		00402NAA-DC		
THIRD ANGLE PROJECTION				
00A	04-24-19	MDJR	DCS	MMR
DRAWING RELEASED				
ECN		00402NAA-DC		
DRAWN BY	DATE	CHK	SCALE	SIZE
MDJR	04-24-19	DCS	NONE	A
SHEET 1 OF 1				

00A	04-24-19	MDJR	DCS	MMR	DRAWING RELEASED
REV	DATE	BY	CHK	APR	DESCRIPTION

## X-ON Electronics

Largest Supplier of Electrical and Electronic Components

*Click to view similar products for [PPE Safety Equipment / Lockout Tagout](#) category:*

*Click to view products by [Panduit](#) manufacturer:*

Other Similar products are found below :

[AB12-SF1260](#) [GPSL-6KA](#) [GPSL-8MKEY](#) [35035](#) [50585](#) [70220-1302](#) [740053624](#) [702201756](#) [PSL-PC38-33](#) [7100078986](#) [132231](#) [44-809](#)  
[G3000NUV-VI-R](#) [STC1165](#) [CP010006](#) [CP010010](#) [CP010013](#) [CP010702](#) [CP010712](#) [DAF010701](#) [GRP010704S](#) [WC000003](#) [2890S](#)  
[SF407XSGAF-BLU-EU](#) [SF202AS/AF-EU](#) [RIMFIMI](#) [RIMFIPO](#) [VULC2NOFU](#) [509-0015](#) [509-0017](#) [509-0019](#) [509-0020](#) [509-0021](#) [509-](#)  
[0022](#) [509-0003](#) [509-0004](#) [509-0006](#) [109-0920](#) [109-0917](#) [109-0918](#) [109-0919](#) [DYC200-01-01-9-DYCLEAN-S](#) [109-0027](#) [X2A](#) [26702](#) [28774](#)  
[SFTY PADLOCK NYLON 38MM SHA YELLOW 6/PAC](#) [30-551-3040](#) [30-552-6012](#) [30-560-0039](#)