

SmartKeeper RJ45 Blockout Device

specifications

Panduit SmartKeeper RJ45 Blockout Device shall prevent access to most RJ45 openings to protect the connections from unauthorized access, dust and debris or from potential damage by a foreign object. The device shall mount flush and lock into the RJ45 opening by pushing it in place and shall only unlock with the use of the SmartKeeper Master Key. The installation and removal shall not interfere with adjoining connections. The device shall be utilized in any data application that requires RJ45 type connection. The SmartKeeper RJ45 Blockout Device shall be available in red color.



SmartKeeper RJ45 Blockout Device, 10/pkg

Red: SKRJ45RD-X

SmartKeeper Master Key

SKMKEY

technical information

RoHS compliant:	Yes
Temperature range:	-4°F (-20°C) to + 140°F (+60°C)
Material:	Polycarbonate
Packaging:	Ten units per package

key features and benefits

Tamper Resistant	Device will protect connections from unauthorized access, dust and debris or damage caused by foreign objects
Versatile	Accommodates a variety of applications where RJ45 connections are present
Low profile	Mounts flush with the opening and does not interfere with adjoining connections
Master Key	Unique mechanism can only be unlocked with the special master key

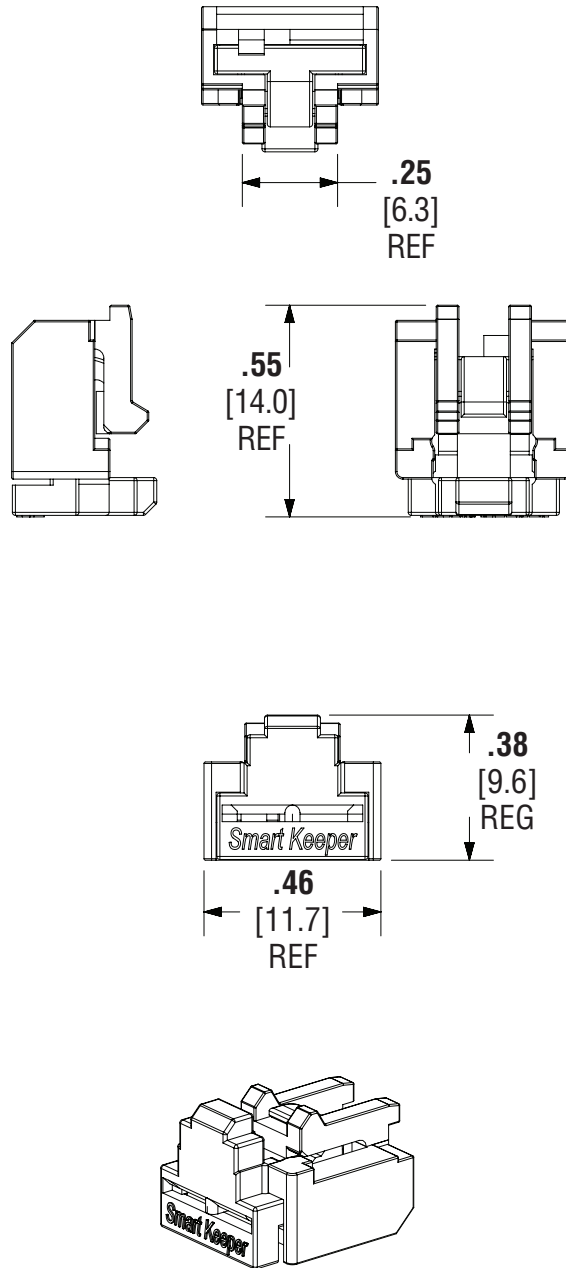
applications

This device is designed to block RJ45 type openings to prevent unauthorized access, to protect the connection from dust and debris or from damage by a foreign object. The added protection makes it ideal for use in public areas, schools, military facilities or anywhere where network security or protection could

easily be compromised. This saves time and money due to downtime associated with data security breaches, hardware replacement or infrastructure repair. Device is easy to install by pushing it in place and removal requires the master key to unlock the unique mechanism.

SmartKeeper RJ45 Blockout Device

dimensions



Dimensions are in inches. [Dimensions in brackets are metric].

WORLDWIDE SUBSIDIARIES AND SALES OFFICES

PANDUIT US/CANADA
Phone: 800.777.3300

PANDUIT EUROPE LTD.
London, UK
Phone: 44.20.8601.7200

PANDUIT SINGAPORE PTE. LTD.
Republic of Singapore
Phone: 65.6305.7575

PANDUIT JAPAN
Tokyo, Japan
Phone: 81.3.6863.6000

PANDUIT LATIN AMERICA
Guadalajara, Mexico
Phone: 52.33.3777.6000

PANDUIT AUSTRALIA PTY. LTD.
Victoria, Australia
Phone: 61.3.9794.9020

For a copy of Panduit product warranties, log on to www.panduit.com/warranty

For more information

Visit us at www.panduit.com

Contact Customer Service by email: cs@panduit.com
or by phone: 800.777.3300

PANDUIT[®]

© 2019 Panduit Corp.
ALL RIGHTS RESERVED.
Printed in the U.S.A.
SFSP9--WW-ENG
6/2019

X-ON Electronics

Largest Supplier of Electrical and Electronic Components

Click to view similar products for [PPE Safety Equipment / Lockout Tagout](#) category:

Click to view products by [Panduit](#) manufacturer:

Other Similar products are found below :

[AB12-SF1260](#) [GPSL-6KA](#) [GPSL-8MKEY](#) [35035](#) [50585](#) [70220-1302](#) [740053624](#) [702201756](#) [PSL-PC38-33](#) [7100078986](#) [132231](#) [44-809](#)
[G3000NUV-VI-R](#) [STC1165](#) [CP010006](#) [CP010010](#) [CP010013](#) [CP010702](#) [CP010712](#) [DAF010701](#) [GRP010704S](#) [WC000003](#) [2890S](#)
[SF407XSGAF-BLU-EU](#) [SF202AS/AF-EU](#) [RIMFIMI](#) [RIMFIPO](#) [VULC2NOFU](#) [509-0015](#) [509-0017](#) [509-0019](#) [509-0020](#) [509-0021](#) [509-](#)
[0022](#) [509-0003](#) [509-0004](#) [509-0006](#) [109-0920](#) [109-0917](#) [109-0918](#) [109-0919](#) [DYC200-01-01-9-DYCLEAN-S](#) [109-0027](#) [X2A](#) [26702](#) [28774](#)
[SFTY PADLOCK NYLON 38MM SHA YELLOW 6/PAC](#) [30-551-3040](#) [30-552-6012](#) [30-560-0039](#)