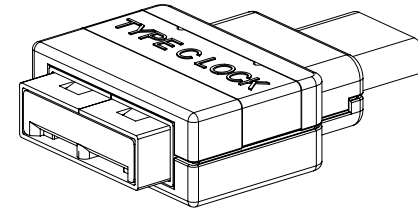
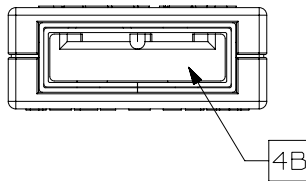
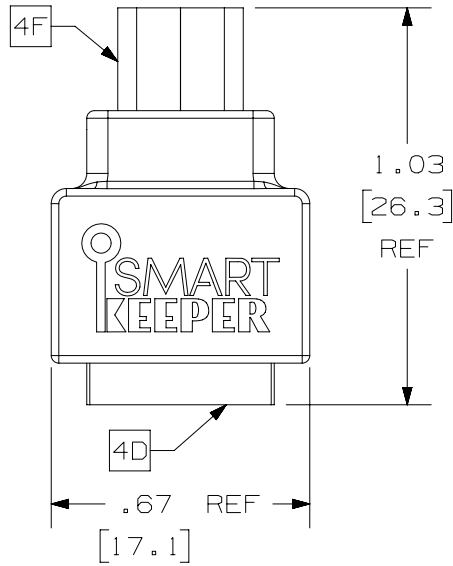
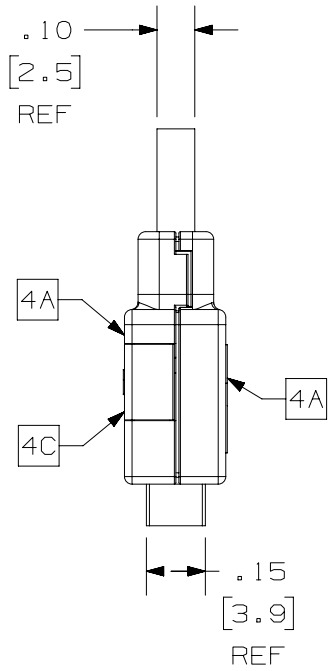
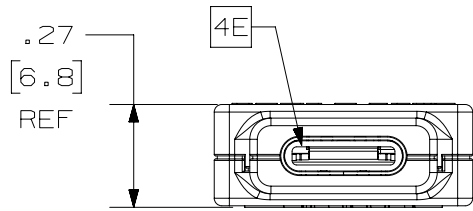


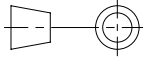
THIS COPY IS PROVIDED ON A RESTRICTED BASIS AND IS NOT TO BE USED IN ANY WAY DETRIMENTAL TO THE INTERESTS OF PANDUIT CORP.

NOTES:

1. VISIT OUR ON-LINE CATALOG AT WWW.PANDUIT.COM FOR A LIST OF CURRENT PARTS APPLICABLE USE WITH THIS PRODUCT.
2. PRODUCT IS REMOVED THE USB TYPE "C" FEMALE PORT USING THE SMARTKEEPER MASTER KEY (PANDUIT P.N.: SKMKEY).
3. SEE INSTALLATION INSTRUCTION FOR PROPER USE OF PRODUCT.
4. PARTS INCLUDES (DESCRIPTION: MATERIAL/COLOR):
  - 4A. EXTERNAL BODY SHELLS: POLYCARBONATE (PC), FLAME RATING: UL94 V-0/RED.
  - 4B. SMARTKEEPER INTERNAL BODY W/ UNIQUE FEMALE KEYED PATTERN, FLAME RATING: UL94 V-0/RED.
  - 4C. MAIN BODY CLIP: BRASS STEEL/NICKEL.
  - 4D. SMARTKEEPER SIDE SHIELD: BRASS STEEL/NICKEL.
  - 4E. USB TYPE "C" INTERNAL SUPPORT: POLYCARBONATE (PC), FLAME RATING: UL94 V-0/RED.
  - 4F. USB TYPE "C" SIDE EXTERNAL SHIELD: BRASS STEEL/NICKEL.
5. PRODUCT IS DESIGNED FOR INDOOR USE ONLY.
6. OPERATING TEMPERATURE AND HUMIDITY RANGE:
  - 6A. TEMPERATURE RANGE: -4°F (-20°C) TO +140°F (+60°C)
  - 6B. HUMIDITY RANGE: 10-70% NON-CONDENSING RELATIVE HUMIDITY.
7. STORAGE CONDITIONS:
  - 7A. TEMPERATURE RANGE: -4°F (-20°C) TO +176°F (+80°).
  - 7B. HUMIDITY RANGE: 10-80% NON-CONDENSING RELATIVE HUMIDITY.
8. WEIGHT: 0.07 LBS/ (10) PCS [ 33.5 grams/ (10) PCS].
9. DIMENSIONS IN [ ] ARE METRIC.
10. ALL MATERIALS AND COMPONENTS USED MEET THE MATERIALS RESTRICTIONS OF RoHs, (EUROPEAN DIRECTIVE 2011/65/EU ON THE RESTRICTION OF HAZARDOUS SUBSTANCES) AS PROPOSED BY THE RoHs TECHNICAL ADAPTATION COMMITTEE.



SCALE 2:1

PART NUMBER		SKUSBC		
TITLE				
SMARTKEEPER USB TYPE "C" BLOCKOUT DEVICE				
CUSTOMER DRAWING				
ITEM REVISION NAME		00402NAC/00		
DATASET FILE NAME		00402NAC_DC/00A		
		THIRD ANGLE PROJECTION		
MATERIAL		SEE NOTES		
DRAWING NUMBER		00402NAC-DC		
DRAWN BY	DATE	CHK	SCALE	SIZE
MDJR	04-25-19	DCS	2:1	A
SHEET 1 OF 1				

00A	04-25-19	MDJR	DCS	MMR	DRAWING RELEASED	00402NAB-DC
REV	DATE	BY	CHK	APR	DESCRIPTION	ECN

A-SIZE CUSTOMER

## X-ON Electronics

Largest Supplier of Electrical and Electronic Components

*Click to view similar products for [PPE Safety Equipment / Lockout Tagout](#) category:*

*Click to view products by [Panduit](#) manufacturer:*

Other Similar products are found below :

[AB12-SF1260](#) [GPSL-6KA](#) [GPSL-8MKEY](#) [35035](#) [50585](#) [70220-1302](#) [740053624](#) [702201756](#) [PSL-PC38-33](#) [7100078986](#) [132231](#) [44-809](#)  
[G3000NUV-VI-R](#) [STC1165](#) [CP010006](#) [CP010010](#) [CP010013](#) [CP010702](#) [CP010712](#) [DAF010701](#) [GRP010704S](#) [WC000003](#) [2890S](#)  
[SF407XSGAF-BLU-EU](#) [SF202AS/AF-EU](#) [RIMFIMI](#) [RIMFIPO](#) [VULC2NOFU](#) [509-0015](#) [509-0017](#) [509-0019](#) [509-0020](#) [509-0021](#) [509-](#)  
[0022](#) [509-0003](#) [509-0004](#) [509-0006](#) [109-0920](#) [109-0917](#) [109-0918](#) [109-0919](#) [DYC200-01-01-9-DYCLEAN-S](#) [109-0027](#) [X2A](#) [26702](#) [28774](#)  
[SFTY PADLOCK NYLON 38MM SHA YELLOW 6/PAC](#) [30-551-3040](#) [30-552-6012](#) [30-560-0039](#)