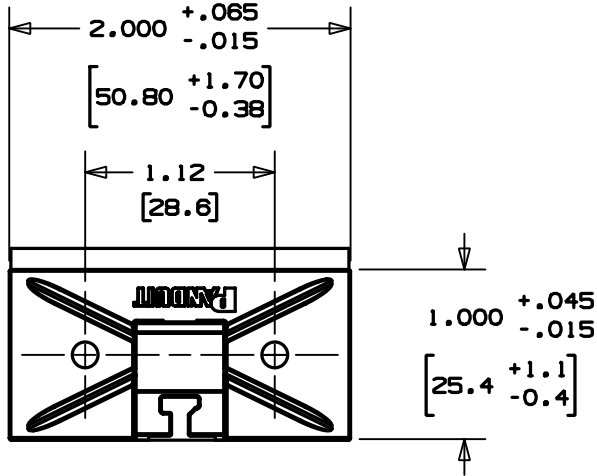


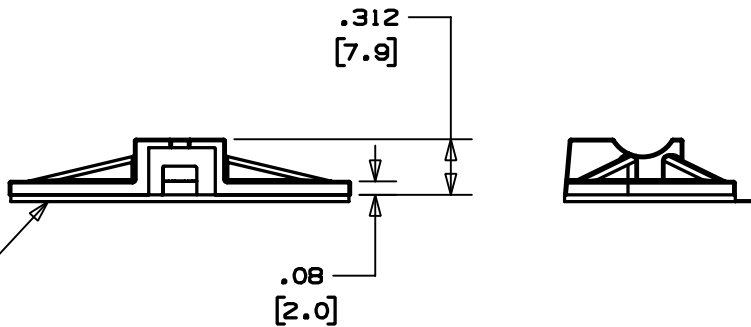
THIS COPY IS PROVIDED ON A RESTRICTED BASIS AND IS NOT TO BE USED IN ANY WAY DETRIMENTAL TO THE INTERESTS OF PANDUIT CORP.



PANDUIT PART NO. *	REC'M FASTENER	USE WITH THESE CABLE TIES **	WEIGHT lbs 100 (g) pcs
SMS-A	-----	S = STANDARD	0.81 (371)
SMS-S6	#6 F.H.C.S or B.H.C.S		0.74 (335)

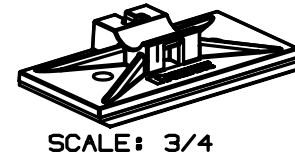
- TO APPLY ADHESIVE MOUNT:**
1. REMOVE PROTECTIVE LINER.
 2. PLACE IN DESIRED LOCATION.
 3. APPLY PRESSURE TO TOP SURFACE OF MOUNT.

- NOTES:**
1. SEE CURRENT PRICE SHEET FOR PART NUMBER SUFFIX DESIGNATION FOR PACKAGE SIZE AND COLOR.

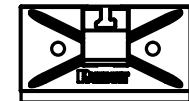


ADHESIVE BACKING:
PRESSURE SENSITIVE FOAM TAPE 0.040" (1.0)
THICK WITH PROTECTIVE LINER. MOUNT IS DESIGNED
TO SUPPORT 11b. (454g) MAX. WEIGHT ON A
CLEAN DRY, SMOOTH, GREASE-FREE SURFACE.

NO WARRANTY, EXPRESSED, OR IMPLIED, IS MADE BY PANDUIT WITH RESPECT TO ADHESIVE BOND PERFORMANCE. AMONG OTHER THINGS, THE CONDITIONS UNDER WHICH THESE MOUNTS MAY BE APPLIED AND/OR THE SURFACE TO WHICH THEY MAY BE APPLIED ARE BEYOND PANDUIT'S CONTROL.



SCALE: 3/4



SCALE: 1/2

DIMENSIONS IN BRACKETS ARE METRIC [mm]			
CAD FILENAME/LAYERS G00239LA_PB_SMS_00			
PANDUIT CORP.		TINLEY PARK, ILLINOIS	
SNAP IN MOUNT (SMS-A, -S6)			
UNLESS OTHERWISE SPECIFIED, DIMENSIONAL TOLERANCES ARE: (.X) ±0.05 (1.3) (.XXX) ±0.010 (0.25) (.XX) ±0.02 (0.5) ANGLES ± 5°		UNLESS OTHERWISE SPECIFIED, ALL DIMENSIONS ARE GIVEN IN INCHES, THIRD ANGLE PROJECTION.	
DRAWN BY JAD	MAT'L:	SCALE FULL	
DATE 1/28/04	ABS	DRAWING NO.	DWG SIZE
CR'D		G00239LA	A

REV	DATE	BY	CHK	DESCRIPTION	ECN - R	CUST	SUP
R	1/28/04	JAD		INITIAL RELEASE	G00239LA	R	

X-ON Electronics

Largest Supplier of Electrical and Electronic Components

Click to view similar products for [Cable Tie Mounts](#) category:

Click to view products by [Panduit](#) manufacturer:

Other Similar products are found below :

[3-350087-0](#) [CTB75X75BKA-C](#) [561-EZAB580T](#) [561-EZS375B40](#) [561-TA250125](#) [08443-0](#) [10035-0](#) [561-TA00600](#) [1689174-1](#) [08445-0](#)
[10351-0](#) [561-TA250125B](#) [20015-0](#) [10350-0](#) [10029-0](#) [08484-0](#) [08446-0](#) [08318-0](#) [PAM075NY-A-C](#) [MTH1-3](#) [10044](#) [151-01802](#) [151-11319](#)
[151-11819](#) [PLWP1SB-D](#) [PLWP1M-C](#) [PLWP2SA-D](#) [PLWP2SB-D](#) [PLWP2S-C](#) [PLWP1S-D](#) [PLWP1M-D](#) [TA1S8-C](#) [ABM3H-A-L](#) [ABM3H-](#)
[AT-T0](#) [EMS-A-C0](#) [EMSK3-1-3-0](#) [10079](#) [151-10930](#) [151-10920](#) [3590](#) [151-28320](#) [151-28349](#) [151-28530](#) [151-10914](#) [151-10904](#) [151-10915](#)
[151-10916](#) [151-10906](#) [115-06960](#) [06297](#)