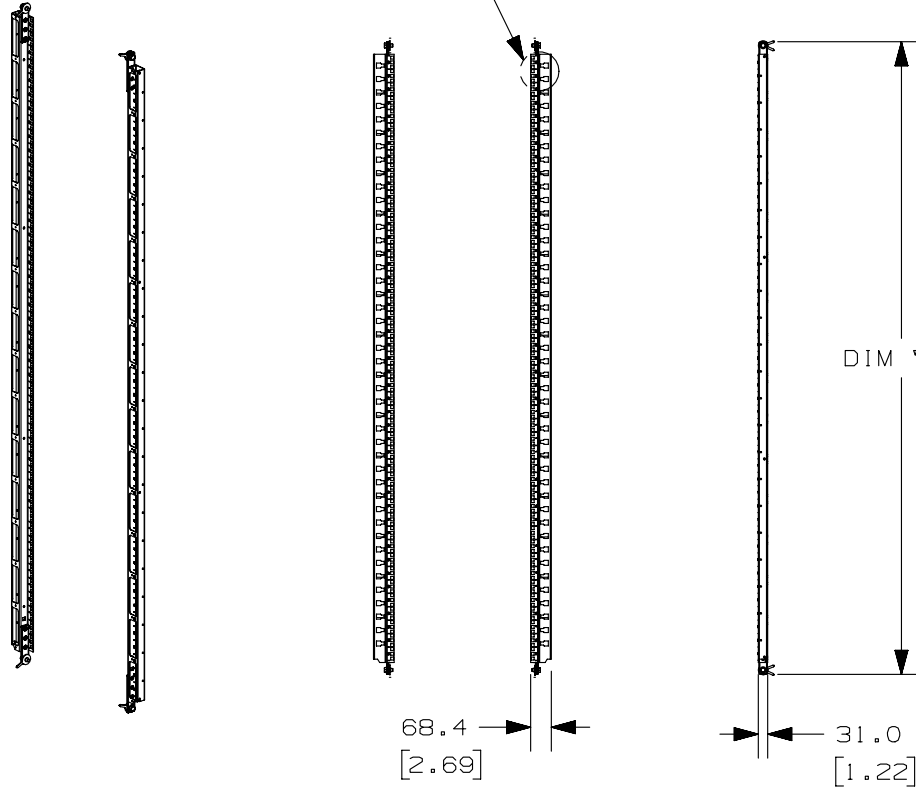


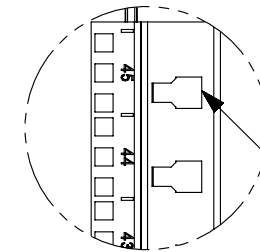
THIS COPY IS PROVIDED ON A RESTRICTED BASIS AND IS NOT TO BE USED IN ANY WAY DETRIMENTAL TO THE INTERESTS OF PANDUIT CORP.

SEE DETAIL A



1. VISIT OUR ON-LINE CATALOG AT WWW.PANDUIT.COM FOR A LIST OF CURRENT PARTS APPLICABLE FOR USE WITH THIS PRODUCT.
2. PARTS SUPPLIED:
 - 1- SET CAGE NUT EQUIPMENT RAILS
 - 1- HARDWARE KIT
 - 1- INSTRUCTION SHEET
3. PRIMARY DIMENSIONS ARE IN MILLIMETERS.

PART NO.	DESCRIPTION	DIM "A"	"HH"	WEIGHT
SN2RC	N-TYPE AND S-TYPE CABINET 42RU CAGE NUT EQUIPMENT RAIL	1879.3 [73.99]	42	15.86 Kg/EACH [35.0 LBS/EACH]
SN5RC	N-TYPE AND S-TYPE CABINET 45RU CAGE NUT EQUIPMENT RAIL	2012.6 [79.24]	45	16.78 Kg/EACH [37.0 LBS/EACH]
SN8RC	N-TYPE AND S-TYPE CABINET 48RU CAGE NUT EQUIPMENT RAIL	2146.0 [84.49]	48	17.69 Kg/EACH [39.0 LBS/EACH]
SN1RC	N-TYPE AND S-TYPE CABINET 51RU CAGE NUT EQUIPMENT RAIL	2279.3 [89.74]	51	18.60 Kg/EACH [41.0 LBS/EACH]



COMPATIBLE WITH SN15F AND SN25F CABLE MANAGEMENT FINGERS

DETAIL A
SCALE 1 : 4

REV	DATE	BY	CHK	APR	DESCRIPTION	ECN
00A	2-04-15	PBS			RELEASED TO PRODUCTION	V09000DJ

TITLE SN*RC NET-ACCESS N-TYPE AND S-TYPE CABINET FAMILY CAGE NUT EQUIPMENT RAILS CUSTOMER DRAWING		PANDUIT
ITEM REVISION NAME 13V398ZY/00.PRT		
DATASET FILE NAME 13V398ZY_DC/00A.PRT		
DRAWING NUMBER: 13V398ZY-DC		MATERIAL: N/A
THIRD ANGLE PROJECTION		
DRAWN BY PBS	DATE 2-04-15	CHK SCALE NONE
SHT 1 OF 1		SIZE A

X-ON Electronics

Largest Supplier of Electrical and Electronic Components

Click to view similar products for [Racks & Rack Cabinet Accessories](#) category:

Click to view products by [Panduit](#) manufacturer:

Other Similar products are found below :

[M00-PLN](#) [F2424](#) [8351-832-A-24](#) [9104](#) [9105](#) [PLFF2000](#) [H-9163-B](#) [1427C3](#) [HTS10](#) [PC-79](#) [SC10-3A](#) [SC4-28](#) [CG3-340S/12](#) [CP-001BK](#)
[M6123-4007-SS](#) [TS170](#) [LP40](#) [5261304-07](#) [CG3-160G](#) [7112C-PLN](#) [ALUM](#) [CM10](#) [8610-3124-S-26](#) [TS81](#) [7142](#) [GP134](#) [M6125-4007-A-24](#)
[M6127-4007-SS](#) [PBCOVER](#) [512](#) [AEG-4000G](#) [AEG-3000G](#) [HD99](#) [SR2-66A2](#) [FP10B4HP-1](#) [SR16-66A2](#) [FP52-2](#) [1406-1006-01](#) [29478](#)
[TS2535](#) [TS169-6](#) [CAC2](#) [HA19-3U](#) [BR-19-10-1](#) [TS180](#) [CG3-ESD](#) [SC11-1](#) [CFS-1.00/2.20](#) [AX6145WM](#) [HEC0800PB](#) [ZC633R](#)