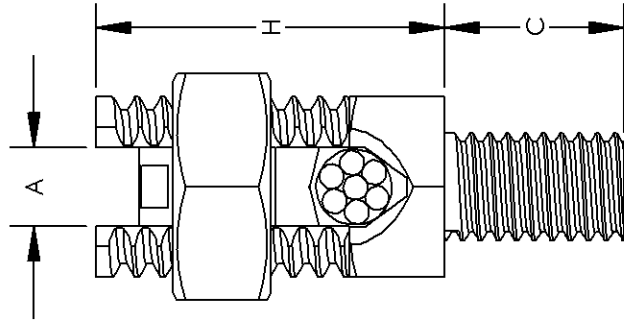


THIS COPY IS PROVIDED ON A RESTRICTED BASIS AND IS NOT TO BE USED IN ANY WAY DETRIMENTAL TO THE INTERESTS OF PANDUIT CORP.



LISTED
SUITABLE FOR
DIRECT BURIAL



| CATALOG NUMBER | A CONDUCTOR RANGE | WIRE DIAMETER RANGE | STUD SIZE | HEX NUT | | C | | H | | BODY HEX | |
|----------------|-----------------------|---------------------|-----------|---------|----|------|----|------|----|----------|----|
| | | | | IN | MM | IN | MM | IN | MM | IN | MM |
| SPI-8-C | 12 SOL. - 8 STR. | .081 - .146 | 1/4-20 | 0.50 | 13 | 0.50 | 13 | 0.63 | 16 | 0.38 | 9 |
| SPI-8L-C | 12 SOL. - 8 STR. | .081 - .146 | 1/4-20 | 0.50 | 13 | 1.00 | 25 | 0.63 | 16 | 0.38 | 9 |
| SPI-7-C | 8 SOL. - 7 STR. | .128 - .164 | 1/4-20 | 0.69 | 17 | 0.50 | 13 | 0.88 | 22 | 0.50 | 13 |
| SPI-7L-C | 8 SOL. - 7 STR. | .128 - .164 | 1/4-20 | 0.69 | 17 | 1.00 | 25 | 0.88 | 22 | 0.50 | 13 |
| SPI-4-C | 10 SOL. - 4 STR. | .102 - .232 | 5/16-18 | 0.75 | 19 | 0.56 | 14 | 0.94 | 24 | 0.56 | 14 |
| SPI-4L-C | 10 SOL. - 4 STR. | .102 - .232 | 5/16-18 | 0.75 | 19 | 1.00 | 25 | 0.94 | 24 | 0.56 | 14 |
| SPI-3-C | 6 SOL. - 3 STR. | .162 - .260 | 3/8-16 | 0.81 | 21 | 0.63 | 16 | 1.06 | 27 | 0.63 | 16 |
| SPI-3L-C | 6 SOL. - 3 STR. | .162 - .260 | 3/8-16 | 0.81 | 21 | 1.13 | 29 | 1.06 | 27 | 0.63 | 16 |
| SPI-2-C | 4 STR. - 2 STR. | .232 - .292 | 3/8-16 | 0.88 | 22 | 0.63 | 16 | 1.06 | 27 | 0.69 | 17 |
| SPI-2L-C | 4 STR. - 2 STR. | .232 - .292 | 3/8-16 | 0.88 | 22 | 1.13 | 29 | 1.06 | 27 | 0.69 | 17 |
| SPI-1/0-L | 6 SOL. - 1/0 STR. | .162 - .375 | 1/2-13 | 1.00 | 25 | 0.75 | 19 | 1.31 | 33 | 0.75 | 19 |
| SPI-1/0L-L | 6 SOL. - 1/0 STR. | .162 - .375 | 1/2-13 | 1.00 | 25 | 1.25 | 32 | 1.31 | 33 | 0.75 | 19 |
| SPI-2/0-Q | 1 SOL. - 2/0 STR. | .289 - .419 | 1/2-13 | 1.13 | 29 | 0.75 | 19 | 1.44 | 37 | 0.88 | 22 |
| SPI-2/0L-Q | 1 SOL. - 2/0 STR. | .289 - .419 | 1/2-13 | 1.13 | 29 | 1.25 | 32 | 1.44 | 37 | 0.88 | 22 |
| SPI-4/0-Q | 3/0 SOL. - 4/0 STR. | .410 - .528 | 5/8-11 | 1.38 | 35 | 1.00 | 25 | 1.69 | 43 | 1.13 | 29 |
| SPI-4/0L-Q | 3/0 SOL. - 4/0 STR. | .410 - .528 | 5/8-11 | 1.38 | 35 | 1.50 | 38 | 1.69 | 43 | 1.13 | 29 |
| SPI-350-12 | 4/0 STR. - 350 kcmil | .528 - .682 | 5/8-11 | 1.50 | 38 | 1.00 | 25 | 2.00 | 51 | 1.25 | 32 |
| SPI-350L-12 | 4/0 STR. - 350 kcmil | .528 - .682 | 5/8-11 | 1.50 | 38 | 1.50 | 38 | 2.00 | 51 | 1.25 | 32 |
| SPI-500-12 | 250 kcmil - 500 kcmil | .575 - .815 | 3/4-10 | 1.81 | 46 | 1.38 | 35 | 2.31 | 59 | 1.50 | 38 |
| SPI-500L-12 | 250 kcmil - 500 kcmil | .575 - .815 | 3/4-10 | 1.81 | 46 | 1.75 | 44 | 2.31 | 59 | 1.50 | 38 |

NOTES:

1. MATERIAL: HIGH COPPER CONTENT
HARD DRAWN ROD
2. USED FOR CONNECTING CONDUCTORS
TO VARIOUS SIZES OF TAPPED HOLE

| | | | | | | | | | | | | |
|-----|-------|-----------|---|-------------|-----|-------|-----|-----------------------|-----------|--|--|--|
| 02 | 10/08 | JHNU JHNU | REVISED UL LISTING CONVERTED DWG. TO SOLIDWORKS | | | | | | | | | |
| 01 | 9/97 | JKD | REMOVED SSS-11, SSS-11 AT, SSS-12, SSS-12 AT REPLACED CATALOG NUMBERS WITH FINISHED PART NUMBERS | | | | | | | | | |
| 00 | 7/97 | TM | DWG. RELEASED | | | | | | | | | |
| REV | DATE | BY | CHK | DESCRIPTION | ECN | SCALE | N/A | DRAWING NO / CAD FILE | C41213_02 | | | |



TINLEY PARK, ILLINOIS
BRONZE SERVICE POST CONNECTORS, TYPE SPI
CUSTOMER DRAWING

X-ON Electronics

Largest Supplier of Electrical and Electronic Components

Click to view similar products for [Cable Mounting & Accessories](#) category:

Click to view products by [Panduit](#) manufacturer:

Other Similar products are found below :

[582603-1](#) [009333-000](#) [727844N003](#) [747](#) [809090N001](#) [843188-000](#) [8666](#) [967279N002](#) [DB-11](#) [1300840039](#) [1300900096](#) [1301800416](#)
[1302264450](#) [1300830184](#) [1300830729](#) [1300900039](#) [1301580036](#) [1301850553](#) [1301860939](#) [1302000074](#) [1302261315](#) [1302264431](#)
[1337706-2](#) [APA18-AK](#) [1724](#) [1-787307-1](#) [185491N001](#) [1868](#) [HP-6N](#) [C-202-C](#) [202C221-13-0](#) [CA7308-000](#) [8S23-75FR-CS8184](#) [2684](#) [9648](#)
[3089](#) [988382-000](#) [A72821-000](#) [AA401](#) [173506-000](#) [1823](#) [202C292-13-0](#) [202C302-13-0](#) [2109](#) [300625](#) [3330](#) [3412](#) [356247-1](#) [M9142](#)
[M9143](#)