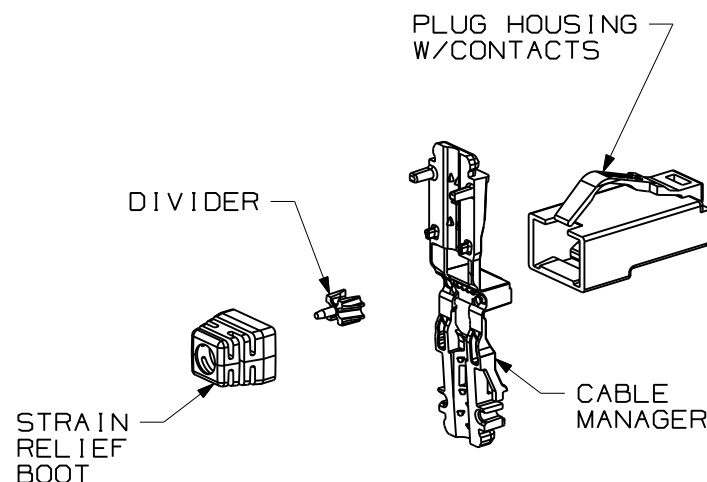
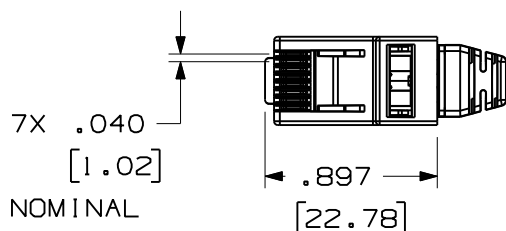
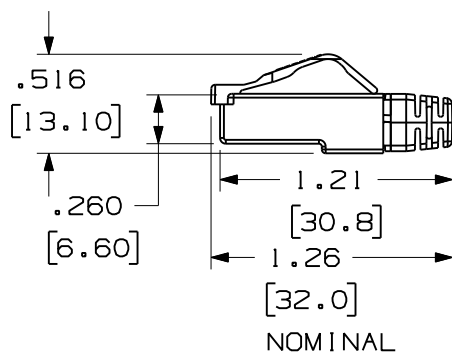
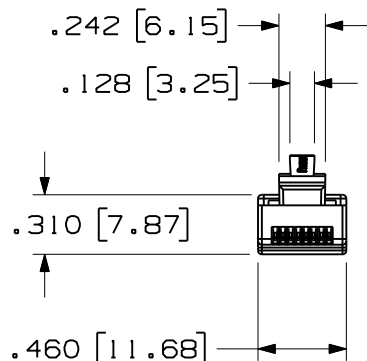
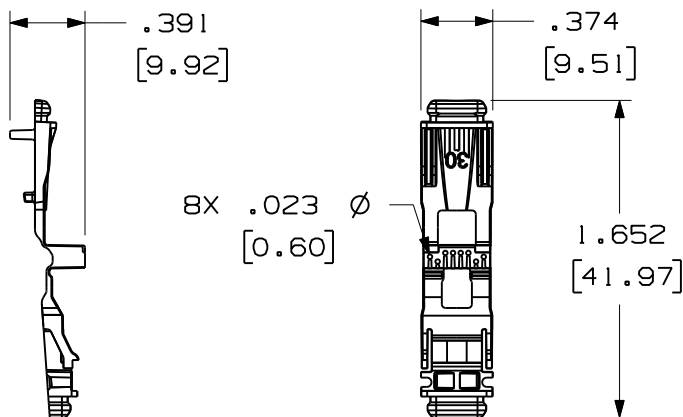


THIS COPY IS PROVIDED ON A RESTRICTED BASIS AND IS NOT TO BE USED IN ANY WAY DETRIMENTAL TO THE INTERESTS OF PANDUIT CORP.

PART NUMBER	WEIGHT
SP630-C	.045 LB/10 PCS (20.3 g/10 PCS)

NOTES:

- CATEGORY 6 UTP 30AWG MODULAR PLUG
- MATERIAL: HOUSING, ADAPTER, DIVIDER-THERMOPLASTIC UL94V-0 RATED; STRAIN RELIEF BOOT-CLEAR PVC; CONTACT TERMINAL-PHOSPHOR BRONZE ELECTROPOLISHED AND PLATED WITH .000050" MIN. GOLD IN CONTACT AREA, GOLD FLASH OVER REMAINDER, .000100" MIN NICKEL UNDERPLATE.
- PLUG ACCEPTS 4 PAIR CABLE .122"-.130" (3.1mm-3.3mm) DIAMETER WITH 30 AWG SOLID OR STRANDED CONDUCTORS WITH A MAXIMUM INSULATION DIAMETER OF .021"(.53mm).
- MEETS DIMENSIONAL REQUIREMENTS OF FCC PART 68 AND IEC 60603-7. ALL DIMENSIONS MAXIMUM UNLESS OTHERWISE SPECIFIED.
- TERMINAL CONTACT HEIGHT DIMENSION: .237±.005"(.60±.13mm) WITH PANDUIT CRIMP TOOL.
- c(UL)us LISTED, UL FILE NUMBER E129886.



MODEL FILENAME	11M280AB/00	SIZE	A
DRAWING FILENAME	11M280AB_DCO2/00A		
PAN-PLUG CATEGORY 6 30 AWG UTP MODULAR PLUG CUSTOMER DRAWING			
 TINLEY PARK, IL 60487		I.I. NUMBER	
		PRODUCT SPEC/ PKG SPEC	
 THIRD ANGLE PROJECTION		ASSY METHOD/ TEST METHOD	
		SCALE	
ALL DIMENSIONS ARE GIVEN IN INCHES, UNLESS OTHERWISE SPECIFIED. DIMENSIONAL TOLERANCES ARE: (.X) ±.03 (.XXX) ±.005 (.XX) ±.01 ANGLES ± 1°		PART NO.	
DRAWN BY		REVIEW DRAWING NUMBERS	
DATE		MAT'L	
CHK'D		DRAWING NO.	
BJN		SP630-C	
1-20-12		11M280AB-02	
JCO			

REV	DATE	BY	CHK	DESCRIPTION	ECN	R	CUST	SUP	OTH
I	5-29-12	BJN	JCO	UPDATED	11M280AB-02	JCO	EJH		
R	1-20-12	BJN	JCO	RELEASED TO PRODUCTION	11M280AB-02	JCO	EJH		

X-ON Electronics

Largest Supplier of Electrical and Electronic Components

Click to view similar products for [Modular Connectors](#) / [Ethernet Connectors](#) category:

Click to view products by [Panduit](#) manufacturer:

Other Similar products are found below :

[8949-H88/06BLKA/SN](#) [74441-0010/BKN](#) [MP1010RX-1000](#) [MP44RX-1000](#) [PHJ-4P4C-1-V-4](#) [PHP-6P6C-5](#) [GAX-3-66](#) [GAX-8-62](#) [GDCX-PA-66-50](#) [GDCX-PN-64](#) [GDCX-PN-66](#) [GDCX-PN-66-50](#) [GDLX-A-66](#) [GDLX-N-66](#) [GDLX-S-66](#) [GDLX-S-88K](#) [GDTX-S-88-50](#) [GDX-PA-1010](#) [GLX-N-1010M-BLK](#) [GLX-S-88M-BLK](#) [GMX-N-1010](#) [GMX-S-1010](#) [GMX-S-66](#) [GMX-SMT4-N-88](#) [GPX-2-64](#) [GSGX-N-2-88](#) [GSGX-N-4-88](#) [GSX-NS2-88-3.05](#) [GSX-NS2-88-3.05-50](#) [GSX-NS-88-3.05-50](#) [PT-108A-8C-UL](#) [PT-J951-8C](#) [PTS-J531-8CS-50UL](#) [1-1775629-2](#) [A-2014-0-4](#) [GWLX-S-88-GR](#) [GWLX-S9-88-YG](#) [DC-1021-8-WH-6](#) [1300530003](#) [1324640-4](#) [RJ11FTVC2G](#) [RJ11FTVC2N](#) [RJFTVX2SA1G](#) [132764-001](#) [1413235](#) [MP88X-1000](#) [MPS88RX-5000](#) [E5288-S000K3-L](#) [E5908-15A242-L](#) [155302-001](#)