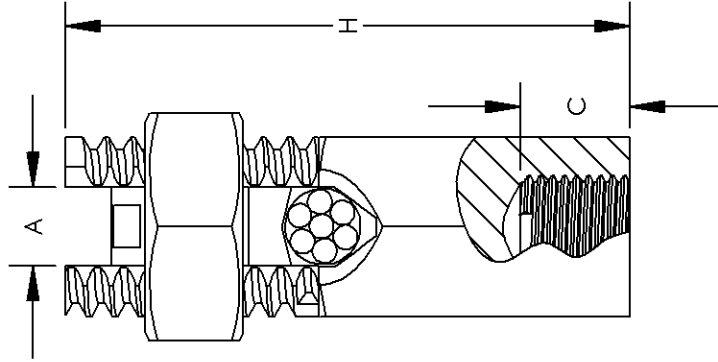


THIS COPY IS PROVIDED ON A RESTRICTED BASIS AND IS NOT TO BE USED IN ANY WAY DETRIMENTAL TO THE INTERESTS OF PANDUIT CORP.



467 LISTED
SUITABLE FOR
DIRECT BURIAL



CATALOG NUMBER	A CONDUCTOR RANGE	WIRE DIAMETER RANGE IN	STUD SIZE	HEX NUT		C		H ONE CABLE		BODY HEX	
				IN	MM	IN	MM	IN	MM	IN	MM
SPF1-8-C	12 SOL. - 8 STR.	.081 - .146	1/4-20	0.50	13	0.25	6	0.91	23	0.38	9
SPF1-7-C	10 SOL. - 7 STR.	.102 - .164	1/4-20	0.69	17	0.25	6	1.13	29	0.50	13
SPF1-4-C	8 SOL. - 4 STR.	.128 - .232	5/16-18	0.75	19	0.31	8	1.44	37	0.56	14
SPF1-3-C	6 STR. - 3 STR.	.184 - .260	3/8-16	0.81	21	0.38	9	1.50	38	0.63	16
SPF1-2-C	6 STR. - 2 STR.	.184 - .292	3/8-16	0.88	22	0.38	9	1.63	41	0.69	17
SPF1-1/0-L	2 SOL. - 1/0 STR.	.258 - .375	1/2-13	1.00	25	0.40	11	1.88	48	0.75	19
SPF1-2/0-Q	1 SOL. - 2/0 STR.	.289 - .419	1/2-13	1.13	29	0.50	13	2.06	52	0.88	22
SPF1-4/0-Q	1/0 STR. - 4/0 STR.	.375 - .528	5/8-11	1.38	35	0.63	16	2.38	60	1.13	29
SPF1-350-12	4/0 STR. - 350 kcmil	.528 - .682	5/8-11	1.50	38	0.63	16	2.63	67	1.25	32
SPF1-500-12	300 kcmil - 500 kcmil	.634 - .815	3/4-10	1.81	46	0.75	19	3.13	79	1.50	38

NOTES:

1. MATERIAL: HIGH COPPER CONTENT
HARD DRAWN ROD
2. USED FOR CONNECTING CONDUCTORS
OF VARIOUS SIZES TO EXTERNAL
THREADED STUDS

02	10/08	JHNU JHNU	REVISED UL LISTING CONVERTED DWG. TO SOLIDWORKS								
01	9/97	JKD	REMOVED STS-11, STS-12 REPLACED CATALOG NUMBERS WITH FINISHED PART NUMBERS								
00	7/97	TM	DWG. RELEASED								
REV	DATE	BY	CHK	DESCRIPTION	ECN	SCALE	N/A	DRAWING NO / CAD FILE	C41215_02		

PANDUIT CORP. TINLEY PARK, ILLINOIS
BRONZE SERVICE POST CONNECTORS, TYPE SPF1
CUSTOMER DRAWING

X-ON Electronics

Largest Supplier of Electrical and Electronic Components

Click to view similar products for [Terminals](#) category:

Click to view products by [Panduit](#) manufacturer:

Other Similar products are found below :

[00-054007-01074-6](#) [00-054007-70206-1](#) [00-054007-70210-8](#) [00-054007-70217-7](#) [00-054007-70226-9](#) [00-054007-70228-3](#) [00-054007-70248-1](#) [00-054007-70256-6](#) [00-054007-70301-3](#) [00-054007-70316-7](#) [0-0320562-0](#) [00-054007-49560-4](#) [00-054007-70209-2](#) [00-054007-70225-2](#) [00-054007-70227-6](#) [00-054007-70231-3](#) [00-054007-70241-2](#) [00-054007-70242-9](#) [00-054007-70244-3](#) [00-054007-70246-7](#) [00-054007-70263-4](#) [00-054007-70288-7](#) [00-054007-70290-0](#) [00-054007-70300-6](#) [00-054007-70304-4](#) [01-2065-1-0216](#) [01-2900-1-04412](#) [00581P0075](#) [600TS-10](#) [60205-1](#) [604200-1](#) [605601-1](#) [60598-1-CUT-TAPE](#) [61314-6-C](#) [61810-3](#) [61-S](#) [61-SN](#) [626-0194](#) [62-NBM-A](#) [62-SN](#) [62-SP](#) [63-S](#) [640179-1](#) [M55155/059I03](#) [M55155/079C01](#) [M55155/099H02](#) [M55155/109H01](#) [M55155/109H02](#) [M55155/12XH05](#) [M55155/16XH02](#)