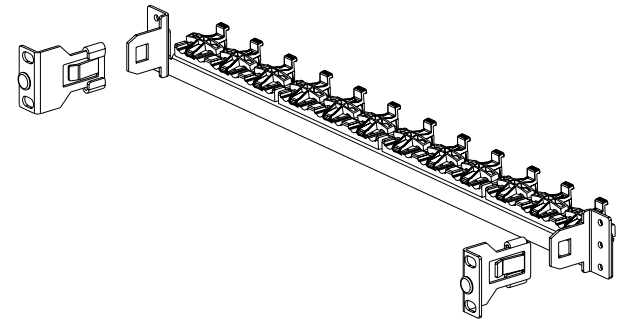
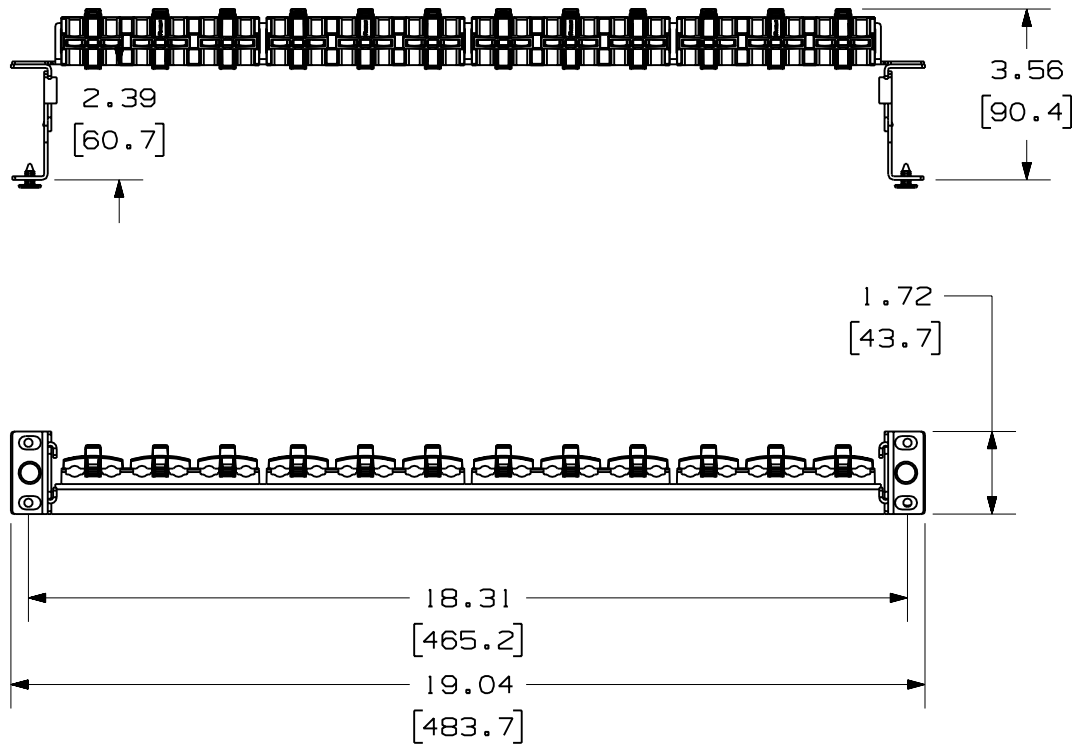


THIS COPY IS PROVIDED ON A RESTRICTED BASIS AND IS NOT TO BE USED IN ANY WAY DETRIMENTAL TO THE INTERESTS OF PANDUIT CORP.

PANDUIT P/N	WEIGHT
SRBBRWC-KIT	.81 LB/EACH PC (367.4 g/EACH PC)


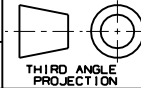
NOTES:

- SEE CURRENT CATALOG FOR ADDITIONAL PART NUMBER SUFFIXES TO INDICATE COLOR AND OR PACKAGE QUANTITY.
- SEE CATALOG FOR COMPLETE LIST OF PARTS APPLICABLE FOR USE WITH THIS PART.
- DIMENSIONS IN PARENTHESES ARE IN METRIC.
- PART INCLUDES:
  - 1- STRAIN RELIEF BAR
  - 4- MOLDED STRAIN RELIEF CLIP 6-PACK (ASSEMBLED TO THE STRAIN RELIEF BAR)
  - 1- #12-24 SCREW KIT
  - 1- M6 SCREW KIT
  - 2- RATCHET FASTENER
  - 2- LATCH BRACKET
  - 2- TAB BRACKET (ASSEMBLED TO THE STRAIN RELIEF BAR)



MODEL FILENAME	M02644AC_SRBBRWC-KIT_00.PRT	SIZE	A
DRAWING FILENAME	M02644AC_DC_00A.PRT		

STRAIN RELIEF BAR KIT WITH SRBWCY AND QUICK RELEASE BRACKETS (SRBBRKT)  
CUSTOMER DRAWING

 <b>PANDUIT</b> ™ CORP. TINLEY PARK, ILL 60477	I.T. NUMBER	N/A
	PRODUCT SPEC	N/A
 THIRD ANGLE PROJECTION	WORK INSTRUCTION	N/A
	SCALE	NONE
DRAWN BY JsP	MATERIAL:	PART NO. SRBBRWC-KIT
DATE 9-19-06	STRAIN RELIEF CLIP- POLYPROPYLENE	DRAWING NO. 02644-03
CHK'D	STRAIN RELIEF BAR- C.R.S.	
	QUICK RELEASE BRACKETS- C.R.S.	

R	9-19-06	JsP		RELEASED TO PRODUCTION	02644-03				
REV	DATE	BY	CHK	DESCRIPTION	ECN	R	CUST	SUP	OTH

## X-ON Electronics

Largest Supplier of Electrical and Electronic Components

*Click to view similar products for [Cable Mounting & Accessories](#) category:*

*Click to view products by [Panduit](#) manufacturer:*

Other Similar products are found below :

[582603-1](#) [009333-000](#) [727844N003](#) [747](#) [809090N001](#) [843188-000](#) [8666](#) [967279N002](#) [DB-11](#) [1300840039](#) [1300900096](#) [1301800416](#)  
[1302264450](#) [1300830184](#) [1300830729](#) [1300900039](#) [1301580036](#) [1301850553](#) [1301860939](#) [1302000074](#) [1302261315](#) [1302264431](#)  
[1337706-2](#) [APA18-AK](#) [1724](#) [1-787307-1](#) [185491N001](#) [1868](#) [HP-6N](#) [C-202-C](#) [202C221-13-0](#) [CA7308-000](#) [8S23-75FR-CS8184](#) [2684](#) [9648](#)  
[3089](#) [988382-000](#) [A72821-000](#) [AA401](#) [173506-000](#) [1823](#) [202C292-13-0](#) [202C302-13-0](#) [2109](#) [300625](#) [3330](#) [3412](#) [356247-1](#) [M9142](#)  
[M9143](#)