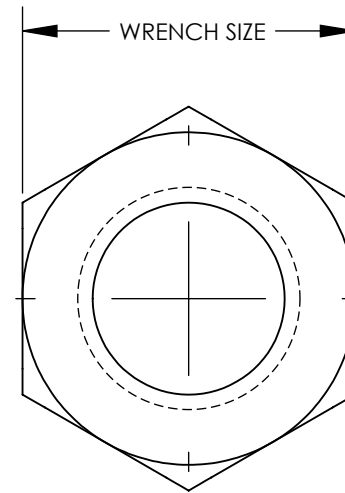
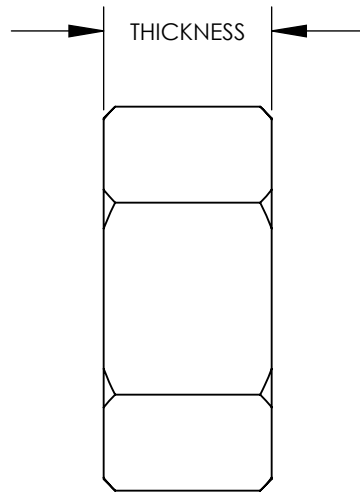


THIS COPY IS PROVIDED ON A RESTRICTED BASIS AND IS NOT TO BE USED IN ANY WAY DETRIMENTAL TO THE INTERESTS OF PANDUIT CORP.

NOTES:

1. MATERIAL: 18-8 STAINLESS STEEL
2. DIMENSIONS IN BRACKETS ARE MILLIMETERS
3. PKG. QTY:  
C = 100

PART NUMBER	THREAD	THICKNESS	WRENCH SIZE
SSN1420-C	1/4-20	.22 [5.6]	7/16
SSNUT31-C	5/16-18	.27 [6.7]	1/2
SSN3816-C	3/8-16	.31 [7.9]	9/16
SSNUT50-C	1/2-13	.44 [11.1]	3/4
SSNUT62-C	5/8-11	.55 [13.9]	15/16



REV	DATE	BY	CHK	APR	DESCRIPTION	ECN
00	4/17	JHNU	JHNU	RGB	DRAWING RELEASED	15J350BG-DC

TITLE		<b>STAINLESS STEEL HEX NUT (SSNUT SERIES)</b>	
		CUSTOMER DRAWING	
ITEM REVISION NAME	15J350BG/00		
DATASET FILE NAME	15J350BG-DC/00.SLDDRW		
UNLESS OTHERWISE SPECIFIED, DIMENSIONAL TOLERANCES ARE: IN [mm]		<b>PANDUIT</b>	
.X ±	.XXX ±		
.XX ± .02 [0.5]	ANGLES ±		SEE NOTES
		THIRD ANGLE PROJECTION	
		DRAWING NUMBER 15J350BG-DC	
DRAWN BY	DATE	CHK	SCALE
JHNU	4/17	RGB	N/A
SHEET 1 OF 1			SIZE <b>A</b>

## X-ON Electronics

Largest Supplier of Electrical and Electronic Components

*Click to view similar products for [Mounting Fixings](#) category:*

*Click to view products by [Panduit](#) manufacturer:*

Other Similar products are found below :

[5912235-2](#) [007541](#) [627](#) [M3783-7001](#) [71-074914-006](#) [71-441549-19S](#) [75-69211-3P](#) [75-69214-6P](#) [75-69220-27S](#) [75-69224-5S](#) [7717-8DAP](#)  
[85048GBESR](#) [FPK-02-R10](#) [PMS27488-001-01](#) [1-18023-0](#) [H-118-2](#) [D83999/20WC8SN](#) [DB1](#) [1302030464](#) [DC31-14W19PN](#) [DC31-](#)  
[14W19PW](#) [DC32-18W32SN](#) [DC36-18-32SW](#) [DC36-18-32SX](#) [DC37-14-19PW](#) [DC37-22-21PX](#) [1302010957](#) [1302263564](#) [1302340393](#)  
[1404-0016-78](#) [14540](#) [149331-9811](#) [1561-60](#) [1566](#) [1566](#) [17542](#) [BR16A](#) [HS5659MB98PN](#) [NT20SATT01](#) [201C5058-01-201](#) [REV E](#) [22594-8](#)  
[KBB-141](#) [89078GBEPR](#) [89078GBESR](#) [915060](#) [SF4011-60101](#) [97-CS-50](#) [1671](#) [LS10215R14-15PN](#) [LS10215R14-7PN L/C](#)