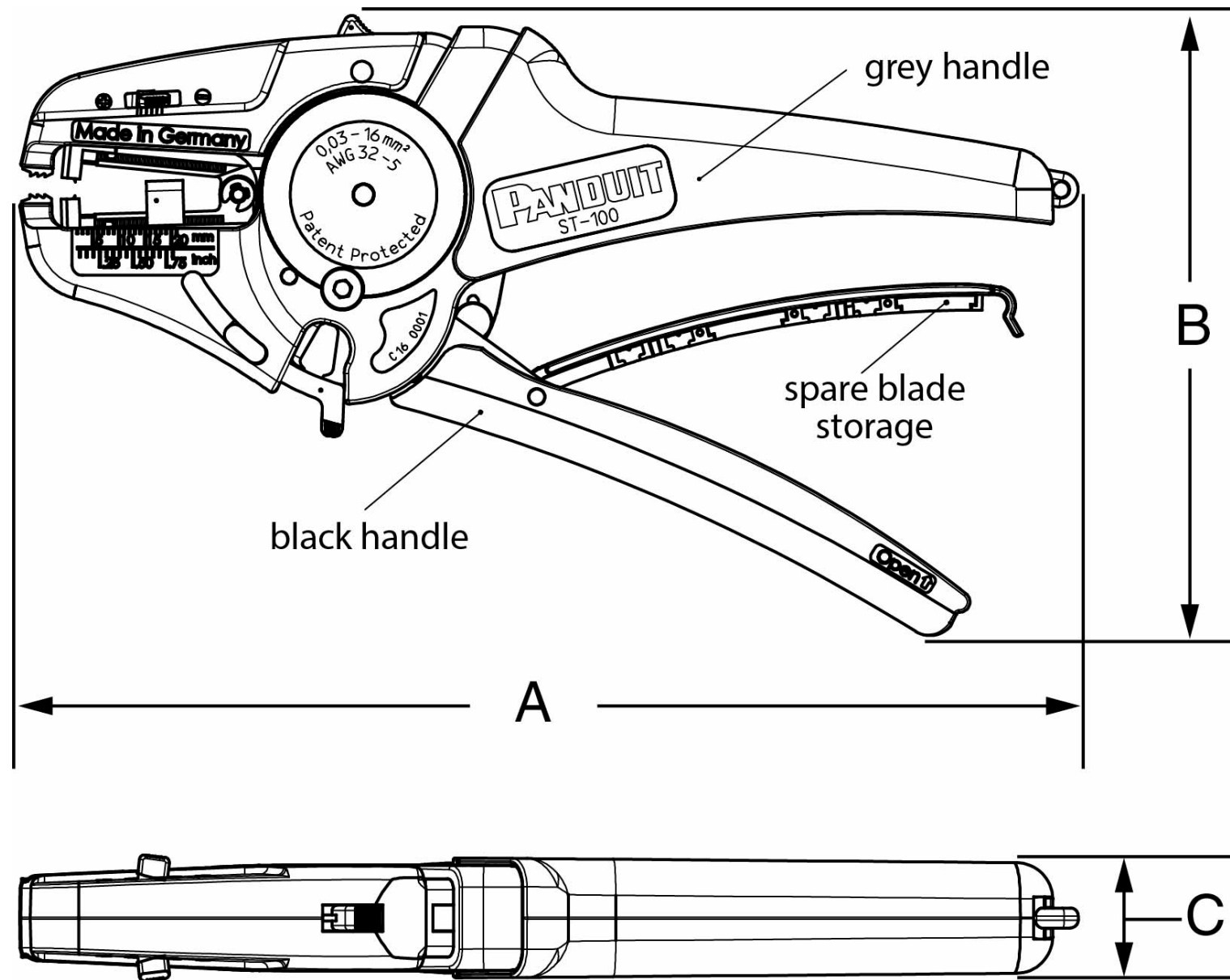


THIS COPY IS PROVIDED ON A RESTRICTED BASIS AND IS NOT TO BE USED IN ANY WAY DETRIMENTAL TO THE INTERESTS OF PANDUIT CORP.



NOTES, UNLESS OTHERWISE SPECIFIED:

SPECIFICATIONS:

PANDUIT TOOL NO: ST-100

Adjustable wire stripping tool for #32-5AWG (0.03 - 16mm²) wire

TOOL WEIGHT: 6.9 oz (0,20 kg)

Light weight with easy mechanical action

Fatigue-free working due to ergonomic design

THIS TOOL'S FEATURES INCLUDE:

- Stripping of stranded and solid wire with PVC insulation of 0,03 to 16 mm²
- Cutting of stranded wire with PVC insulation of 0,03 to 16 mm²
- Adjustable stripping length of 3,0–21 mm
- No tool required for changing stripping knives
- Stripper knife storage in convenient compartment in handle

Fully recyclable

RoHS Directive 2011/65/EU compliant

DIMENSIONS SHOWN ARE FOR REFERENCE ONLY.

DIMENSIONS IN PARENTHESES ARE (MM) METRIC.

A = 7.95 (202) OVERALL LENGTH

B = 4.50 (114) OVERALL HEIGHT

C = 0.90 (23) OVERALL DEPTH

File Location: Teamcenter

REV	DATE	BY	CHK	APR	DESCRIPTION	ECN	ST-100 TOOL					
							CUSTOMER DRAWING					
							ITEM REVISION NAME: TF28182B01_00			PANDUIT		
							UNLESS OTHERWISE SPECIFIED, DIMENSIONAL TOLERANCES ARE: (.x) ± --- (.xxx) ± --- (.xx) ± --- ANGLES ± ---			MATERIAL: -----		
00	9-07-16	BLR	BJPU	JADE	RELEASED	10216	THIRD ANGLE PROJECTION			DRAWING NUMBER: TF28182B01		
							DRAWN BY: BLR	DATE: 9-07-16	CHK BJPU	SCALE NONE	SHT 1 OF 1	SIZE B

X-ON Electronics

Largest Supplier of Electrical and Electronic Components

Click to view similar products for [Wire Ducting & Raceways](#) category:

Click to view products by [Panduit](#) manufacturer:

Other Similar products are found below :

[FG5EI25-A](#) [PED12](#) [PED8](#) [PEVEP](#) [FXOE3-10M3](#) [FZD3-3M2](#) [FZLE10-10M2](#) [FZOE10-10M1](#) [FZOLE10-10M2](#) [FZPE3-10M2](#) [923223-000](#)
[PRAF6WH-X](#) [A0405538](#) [1301150342](#) [1301230083](#) [1301150343](#) [1301230086](#) [1301240054](#) [AX101472](#) [AX102652](#) [AX102653](#) [AX102737](#)
[S62DS](#) [S65DS](#) [S75DSH](#) [A0405536](#) [A0405537](#) [A0649869](#) [FXOD3-3M1](#) [FXOE10-10M2](#) [FZLD3-3M2](#) [FZOE3-10M1](#) [FZOE3-10M2](#)
[FZOLE3-10M2](#) [FZOPE10-10M1](#) [FZPD3-3M2](#) [PZRFE4](#) [PZWIFIEN](#) [PZWIFIENA](#) [CNPSNH](#) [CNSPC](#) [5400ES](#) [WDLT-1216-72](#) [655287-000](#)
[S75DS](#) [1301180028](#) [801A-LSP](#) [TGECAW](#) [206461-000](#) [853425-000](#)