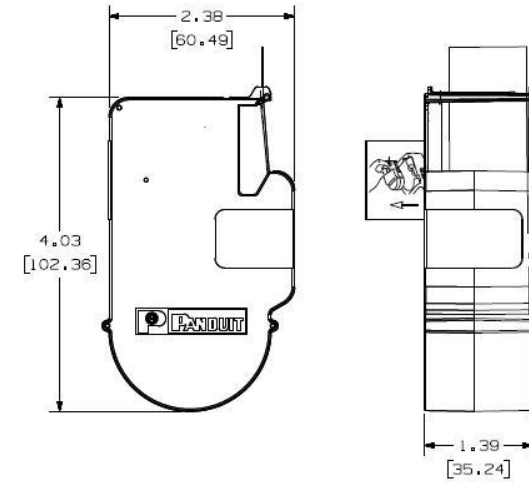
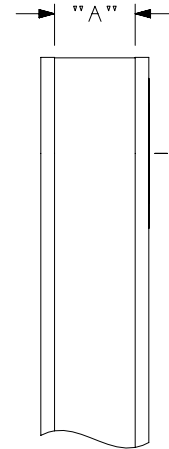


THIS COPY IS PROVIDED ON A RESTRICTED BASIS AND IS NOT TO BE USED IN ANY WAY DETRIMENTAL TO THE INTERESTS OF PANDUIT CORP.

PART NO.	PART DESCRIPTION	LABEL "A"	MATERIAL	ROLL LENGTH
T019X000FJC-BK	BLACK ON WHITE, POLYOLEFIN TAPE	0.19 [4.83]	GMPO4	300"
T024X000FJC-BK	BLACK ON WHITE, POLYOLEFIN TAPE	0.24 [6.10]	GMV14	
T024X000YKC-BK	BLACK ON CLEAR, POLYESTER TAPE		GMV15	
T024X000VPC-BK	BLACK ON WHITE, VINYL TAPE		GMV14	
T024X000VYC-WH	WHITE ON BLACK, VINYL TAPE	GMV15		
T031X000FJC-BK	BLACK ON WHITE, POLYOLEFIN TAPE	0.31 [7.87]	GMPO4	
T038X000FJC-BK	BLACK ON WHITE, POLYOLEFIN TAPE	0.38 [9.65]	GMV14	
T038X000VPC-BK	BLACK ON WHITE, VINYL TAPE		GMV15	
T038X000VQC-BK	BLACK ON BLUE, VINYL TAPE		GMV14	
T038X000VQC-WH	WHITE ON BLUE, VINYL TAPE		GMV15	
T038X000VSC-BK	BLACK ON GREEN, VINYL TAPE		GMV14	
T038X000VSC-WH	WHITE ON GREEN, VINYL TAPE		GMV15	
T038X000VUC-BK	BLACK ON ORANGE, VINYL TAPE		GMV14	
T038X000VWC-BK	BLACK ON RED, VINYL TAPE		GMV15	
T038X000VWC-WH	WHITE ON RED, VINYL TAPE		GMV14	
T038X000VXC-BK	BLACK ON YELLOW, VINYL TAPE		GMV15	
T038X000VYC-WH	WHITE ON BLACK, VINYL TAPE	GMV14		
T038X000YKC-BK	BLACK ON CLEAR, POLYESTER TAPE	GMV15		



1 OF 3



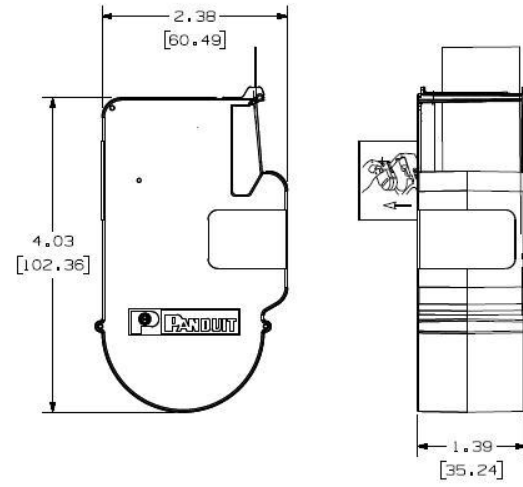
NOTES:
1. DIMENSIONS IN [] ARE IN MILLIMETERS.

REV	DATE	BY	CHK	APR	DESCRIPTION	ECN
5	7/12/18	RVU	JW	JHAC	GMRS1 WAS GMRS. Remove T100X000YKC-WH and T050X000YKC-WH.	GAECN04617
4	10/3/14	RVU	SEWH	MSAD	T038X000VXC-BK, T050X000VXC-BK, T075X000VXC-BK AND T100X000VXC-BK, MATERIAL: GMV14 WAS GMV15. REMOVE NOTE 2. COMBINE OTHER DWG., C10866, & C10867.	GAECN02340
3	10/12/12	RVU	SEWH	MSAD	T024X000VPC-BK, T038X000VPC-BK, T050X000VPC-BK, T075X000VPC-BK, T100X000VPC-BK, MATERIAL: GMV14 WAS GMV15.	GAECN00369
2	10/19/10	RVU			UPDATE ALL TABLE FROM THE NEW PART NO.	6195
1	4/14/09	LDG			ADDED T050X000VPC-RD, T100X000VPC-RD.	5702

TITLE P1 T***X*** CASSETTE CONTINUOUS TAPE LABEL					
CUSTOMER DRAWING					
ITEM REVISION NAME 10074380/27			PANDUIT		
DATASET FILE NAME 10074380_DC_C10695/24F					
UNLESS OTHERWISE SPECIFIED, DIMENSIONAL TOLERANCES ARE: IN [mm] .x ± .03 [.762] .xxx ± .025 [.635] ANGLES ±			MATERIAL: SEE TABLE		
THIRD ANGLE PROJECTION			DRAWING NUMBER: C10695		
DRAWN BY RVU	DATE 4/30/08	CHK MSAD	SCALE NTS	SHT 1 OF 1	
				SIZE A	

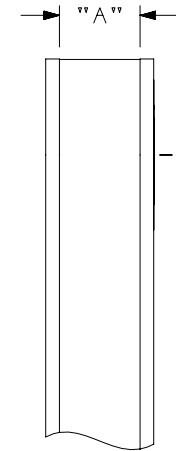
THIS COPY IS PROVIDED ON A RESTRICTED BASIS AND IS NOT TO BE USED IN ANY WAY DETRIMENTAL TO THE INTERESTS OF PANDUIT CORP.

P1 CASSETTE PART NO.	PART DESCRIPTION	LABEL "A"	MATERIAL	ROLL LENGTH	
T050X000VPC-BK	BLACK ON WHITE, VINYL TAPE	0.50 [12.70]	GMV14	300"	
T050X000VPC-RD	RED ON WHITE, VINYL TAPE		GMV15		
T050X000YKC-BK	BLACK ON CLEAR, POLYESTER TAPE		GMV4-C		
T050X000VXC-BK	BLACK ON YELLOW, VINYL TAPE		GMV14		
T050X000VUC-BK	BLACK ON ORANGE, VINYL TAPE		GMV15		
T050X000VWC-BK	BLACK ON RED, VINYL TAPE				
T050X000VSC-BK	BLACK ON GREEN, VINYL TAPE				
T050X000VQC-BK	BLACK ON BLUE, VINYL TAPE				
T050X000VYC-WH	WHITE ON BLACK, VINYL TAPE				
T050X000VQC-WH	WHITE ON BLUE, VINYL TAPE				
T050X000VSC-WH	WHITE ON GREEN, VINYL TAPE				
T050X000VWC-WH	WHITE ON RED, VINYL TAPE				
T075X000VPC-BK	BLACK ON WHITE, VINYL TAPE	0.75 [19.05]			GMV14
T075X000VQC-BK	BLACK ON BLUE, VINYL TAPE				GMV15
T075X000VQC-WH	WHITE ON BLUE, VINYL TAPE				
T075X000VSC-BK	BLACK ON GREEN, VINYL TAPE				
T075X000VSC-WH	WHITE ON GREEN, VINYL TAPE				
T075X000VUC-BK	BLACK ON ORANGE, VINYL TAPE				
T075X000VWC-BK	BLACK ON RED, VINYL TAPE				
T075X000VWC-WH	WHITE ON RED, VINYL TAPE				
T075X000VXC-BK	BLACK ON YELLOW, VINYL TAPE		GMV14		
T075X000VYC-WH	WHITE ON BLACK, VINYL TAPE		GMV15		
T075X000YKC-BK	BLACK ON CLEAR, POLYESTER TAPE		GMV4-C		



2 OF 3

NOTES:
1. DIMENSIONS IN [] ARE IN MILLIMETERS.



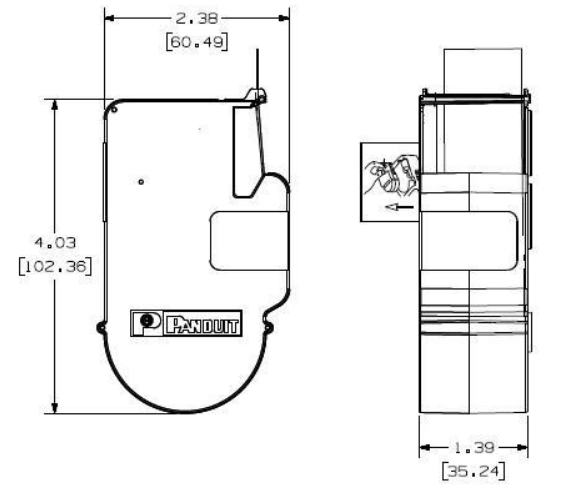
5	7/12/18	RVU	JW	JHAC	GMRS1 WAS GMRS. Remove T100X000YKC-WH and T050X000YKC-WH.	GAECN04617
4	10/3/14	RVU	SEWH	MSAD	T038X000VXC-BK, T050X000VXC-BK, T075X000VXC-BK AND T100X000VXC-BK, MATERIAL: GMV14 WAS GMV15. REMOVE NOTE 2. COMBINE OTHER DWG., C10866, & C10867.	GAECN02340
3	10/12/12	RVU	SEWH	MSAD	T024X000VPC-BK, T038X000VPC-BK, T050X000VPC-BK, T075X000VPC-BK, T100X000VPC-BK, MATERIAL: GMV14 WAS GMV15.	GAECN00369
2	10/19/10	RVU			UPDATE ALL TABLE FROM THE NEW PART NO.	6195
1	4/14/09	LDG			ADDED T050X000VPC-RD, T100X000VPC-RD.	5702

TITLE				
P1 T***X*** CASSETTE CONTINUOUS TAPE LABEL				
CUSTOMER DRAWING				
ITEM REVISION NAME		10074380/27		
DATASET FILE NAME		10074380_DC_C10695/24F		
UNLESS OTHERWISE SPECIFIED, DIMENSIONAL TOLERANCES ARE: IN [mm]				MATERIAL: SEE TABLE
.x ± .03 [.762]		.xxx ± .025 [.635]		
ANGLES ±				DRAWING NUMBER: C10695
 THIRD ANGLE PROJECTION				
DRAWN BY	DATE	CHK	SCALE	SIZE
RVU	4/30/08	MSAD	NTS	A

REV	DATE	BY	CHK	APR	DESCRIPTION	ECN

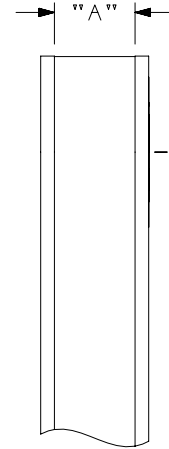
THIS COPY IS PROVIDED ON A RESTRICTED BASIS AND IS NOT TO BE USED IN ANY WAY DETRIMENTAL TO THE INTERESTS OF PANDUIT CORP.

P1 CASSETTE PART NO.	PART DESCRIPTION	LABEL "A"	MATERIAL	ROLL LENGTH	
T100X000VPC-BK	BLACK ON WHITE, VINYL TAPE	1.00 [25.40]	GMV15	300"	
T100X000VPC-RD	RED ON WHITE, VINYL TAPE		GMV14		
T100X000YKC-BK	BLACK ON CLEAR, POLYESTER TAPE		GMV4-C		
T100X000VXC-BK	BLACK ON YELLOW, VINYL TAPE		GMV14		
T100X000VUC-BK	BLACK ON ORANGE, VINYL TAPE		GMV15		300"
T100X000VWC-BK	BLACK ON RED, VINYL TAPE				
T100X000VSC-BK	BLACK ON GREEN, VINYL TAPE				
T100X000VQC-BK	BLACK ON BLUE, VINYL TAPE				
T100X000VYC-WH	WHITE ON BLACK, VINYL TAPE				
T100X000VXC-WH	WHITE ON YELLOW, VINYL TAPE				
T100X000VUC-WH	WHITE ON ORANGE, VINYL TAPE				
T100X000VWC-WH	WHITE ON RED, VINYL TAPE		GMRS1	216"	
T100X000VSC-WH	WHITE ON GREEN, VINYL TAPE				
T100X000VQC-WH	WHITE ON BLUE, VINYL TAPE				
T100X000RXC-BK	BLACK ON YELLOW, REFLECTIVE VINYL				
T100X000RUC-BK	BLACK ON ORANGE, REFLECTIVE VINYL				
T100X000RPC-BK	BLACK ON WHITE, REFLECTIVE VINYL				



3 OF 3

NOTES:
1. DIMENSIONS IN [] ARE IN MILLIMETERS.



5
5
5
5

REV	DATE	BY	CHK	APR	DESCRIPTION	ECN
5	7/12/18	RVU	JW	JHAC	GMRS1 WAS GMRS. Remove T100X000YKC-WH and T050X000YKC-WH.	GAECN04617
4	10/3/14	RVU	SEWH	MSAD	T038X000VXC-BK, T050X000VXC-BK, T075X000VXC-BK AND T100X000VXC-BK, MATERIAL: GMV14 WAS GMV15. REMOVE NOTE 2. COMBINE OTHER DWG., C10866, & C10867.	GAECN02340
3	10/12/12	RVU	SEWH	MSAD	T024X000VPC-BK, T038X000VPC-BK, T050X000VPC-BK, T075X000VPC-BK, T100X000VPC-BK, MATERIAL: GMV14 WAS GMV15.	GAECN00369
2	10/19/10	RVU			UPDATE ALL TABLE FROM THE NEW PART NO.	6195
1	4/14/09	LDG			ADDED T050X000VPC-RD, T100X000VPC-RD.	5702

TITLE P1 T***X*** CASSETTE CONTINUOUS TAPE LABEL					
CUSTOMER DRAWING					
ITEM REVISION NAME 10074380/27			PANDUIT		
DATASET FILE NAME 10074380_DC_C10695/24F					
UNLESS OTHERWISE SPECIFIED, DIMENSIONAL TOLERANCES ARE: IN [mm] .x ± .xxx ± .025 [.635] .xx ± .03 [.762] ANGLES ±			MATERIAL: SEE TABLE		
DRAWN BY RVU			DRAWING NUMBER: C10695		
DATE 4/30/08			SCALE NTS		
CHK MSAD			SIZE A		
DESCRIPTION			SHT 1 OF 1		

X-ON Electronics

Largest Supplier of Electrical and Electronic Components

Click to view similar products for [Wire Labels & Markers](#) category:

Click to view products by [Panduit](#) manufacturer:

Other Similar products are found below :

[89078GBEST](#) [89082GBESR](#) [89082GBEST](#) [PCL025-4](#) [5761-2SF](#) [58400](#) [586R734H02](#) [M1.040.0000.6](#) [CRS-CM5M](#) [CRS-M18M](#) [CS1836-000](#) [CS8626-000](#) [CU6337-000](#) [CU6342-000](#) [CU6343-000](#) [CWD01-0](#) [CWD012-0](#) [CWD012-7](#) [CWD015-3](#) [CWD015-7](#) [CWD02-0](#) [CWD02-3](#) [CWD02-4](#) [CWD02-6](#) [CWD02-8](#) [CWD02-A](#) [CWD02-D](#) [CWD02-H](#) [CWD02-K](#) [CWD02-L](#) [CWD02-M](#) [CWD02-P](#) [CWD02-Q](#) [CWD02-R](#) [CWD02-U](#) [CWD02-W](#) [CWD02-Y](#) [CWD03-+](#) [CWD03-0](#) [CWD03-P](#) [CWD06-0](#) [CWD06-8](#) [CWD06-9](#) [CWD06-L](#) [CWD06-N](#) [CWD09-0](#) [CWD09-5](#) [CWD09-7](#) [6806810001](#) [CZ2857-000](#)