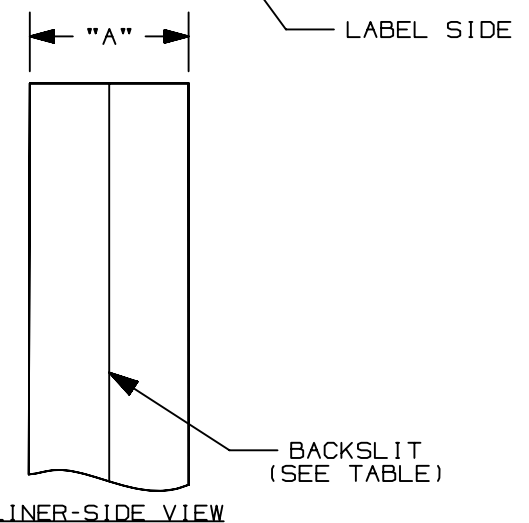
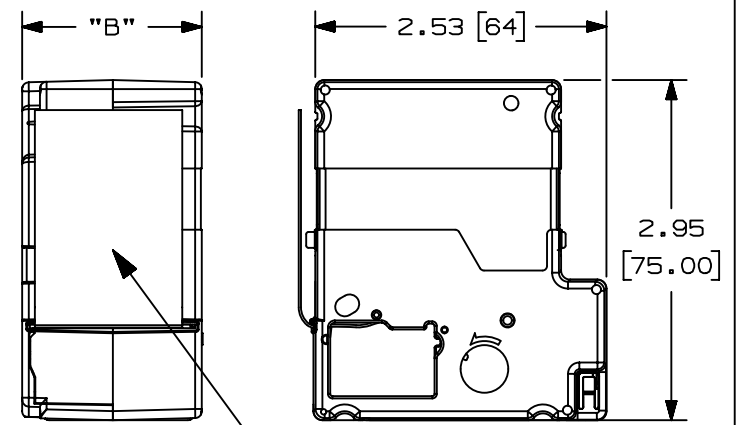


THIS COPY IS PROVIDED ON A RESTRICTED BASIS AND IS NOT TO BE USED IN ANY WAY DETRIMENTAL TO THE INTERESTS OF PANDUIT CORP.

MP CASSETTE PART NO.	TAPE WIDTH "A" +.023 [0.58] -.037 [0.94]	CASSETTE WIDTH "B" REF	COLOR	BACKSLIT IN LINER	ROLL LENGTH +8% / -2%	COMPATIBLE PRINTERS
T024X000BPM-BK	0.229 [5.82]	0.87 [22.1]	BLACK ON WHITE	YES	30 ft [9.1 m]	MP75, MP100, MP200, MP300
T038X000BPM-BK	0.354 [9.0]	0.87 [22.1]	BLACK ON WHITE	YES		MP75, MP100, MP200, MP300
T038X000BXM-BK	0.354 [9.0]	0.87 [22.1]	BLACK ON YELLOW	YES		MP75, MP100, MP200, MP300
T038X000BYM-WH	0.354 [9.0]	0.87 [22.1]	WHITE ON BLACK	YES		MP75, MP100, MP200, MP300
T050X000BPM-BK	0.472 [12.0]	0.87 [22.1]	BLACK ON WHITE	YES		MP75, MP100, MP200, MP300
T050X000BXM-BK	0.472 [12.0]	0.87 [22.1]	BLACK ON YELLOW	YES		MP75, MP100, MP200, MP300
T050X000BYM-WH	0.472 [12.0]	0.87 [22.1]	WHITE ON BLACK	YES		MP75, MP100, MP200, MP300
T075X000BPM-BK	0.710 [18.0]	0.99 [25.1]	BLACK ON WHITE	YES		MP75, MP100, MP200, MP300
T075X000BXM-BK	0.710 [18.0]	0.99 [25.1]	BLACK ON YELLOW	YES		MP75, MP100, MP200, MP300
T075X000BYM-WH	0.710 [18.0]	0.99 [25.1]	WHITE ON BLACK	YES		MP75, MP100, MP200, MP300
T100X000BPM-BK	0.945 [24.0]	1.10 [27.9]	BLACK ON WHITE	YES		MP100, MP200, MP300
T100X000BQM-WH	0.945 [24.0]	1.10 [27.9]	WHITE ON BLUE	YES		MP100, MP200, MP300
T100X000BSM-WH	0.945 [24.0]	1.10 [27.9]	WHITE ON GREEN	YES		MP100, MP200, MP300
T100X000BUM-BK	0.945 [24.0]	1.10 [27.9]	BLACK ON ORANGE	NO		MP100, MP200, MP300
T100X000BWM-WH	0.945 [24.0]	1.10 [27.9]	WHITE ON RED	YES		MP100, MP200, MP300
T100X000BXM-BK	0.945 [24.0]	1.10 [27.9]	BLACK ON YELLOW	YES		MP100, MP200, MP300
T100X000BYM-WH	0.945 [24.0]	1.10 [27.9]	WHITE ON BLACK	YES		MP100, MP200, MP300
T150X000BPM-BK	1.417 [36.0]	1.56 [39.6]	BLACK ON WHITE	YES		MP300
T150X000BQM-WH	1.417 [36.0]	1.56 [39.6]	WHITE ON BLUE	YES		MP300
T150X000BSM-WH	1.417 [36.0]	1.56 [39.6]	WHITE ON GREEN	YES		MP300
T150X000BUM-BK	1.417 [36.0]	1.56 [39.6]	BLACK ON ORANGE	NO		MP300
T150X000BWM-WH	1.417 [36.0]	1.56 [39.6]	WHITE ON RED	YES		MP300
T150X000BXM-BK	1.417 [36.0]	1.56 [39.6]	BLACK ON YELLOW	YES		MP300
T150X000BYM-WH	1.417 [36.0]	1.56 [39.6]	WHITE ON BLACK	YES		MP300



- NOTES:
 1. THESE CASSETTES CONTAIN INK RIBBON AND PRINTABLE MEDIA.
 2) THE PRODUCTS CAN BE PRINTED WITH PANDUIT PRINTERS (SOLD SEPARATELY), AS LISTED IN THE TABLE.
 3) SEE Panduit.com FOR MORE INFORMATION.

TITLE MP COLOR POLYESTER TAPE CASSETTE T***X000B*M-** CUSTOMER DRAWING					
ITEM REVISION NAME 01007EBA/00					
DATASET FILE NAME 01007EBA_DC/00B					
UNLESS OTHERWISE SPECIFIED, DIMENSIONAL TOLERANCES ARE: IN [mm] .x ± .1 [2.54] .xxx ± .025 [.635] .xx ± .05 [1.27] ANGLES ±				MATERIAL: GMY14	
THIRD ANGLE PROJECTION				DRAWING NUMBER: 01007EBA_DC	
DRAWN BY ARHA	DATE 06/13/22	CHK MSAD	SCALE NTS	SHT 1 OF 1	

REV	DATE	BY	CHK	APR	DESCRIPTION	ECN
00B	1/18/23	ARHA	BRJO	MSAD	ADDED T*BPM-BK AND T*BXM-BK PARTS;	GAECN06641
00A	6/13/22	ARHA	KJM	MSAD	DRAWING RELEASE.	GAECN06528

D10100DA/20

X-ON Electronics

Largest Supplier of Electrical and Electronic Components

Click to view similar products for [Printers category](#):

Click to view products by [Panduit manufacturer](#):

Other Similar products are found below :

[LTP5446B-C832-E](#) [CU0620-000](#) [PWC-L07A1-W1-E](#) [DPU-V445-10B-E](#) [D-SCE-12-50-S1-4](#) [IF2302-01UK-E](#) [IF9001-01P-E](#) [IFC-001K](#)
[2000P-RIBBON-4AG-MED](#) [OP-LH200A-E](#) [LB1256-E](#) [ACUH205A-E](#) [1813390001](#) [FTP-628CU601R](#) [351013-000](#) [RH-48-00-E](#)
[4775630001](#) [TTC-PRINTER-PRINthead-300](#) [BLUEMARK CLED-FLUID-CARTR](#) [IF2301-01B](#) [IFC-001K-E](#) [IFH001-01B](#) [LM-1/2-](#)
[TUBE-WE](#) [DPU-D3-01A-E](#) [D-SCE-12-50-9](#) [094514-000](#) [E64127-000](#) [T200-RIBBON-WH-4HT](#) [CP3963-000](#) [2000P-RIBBON-4AG-NAR](#)
[2000P-RIBBON-WH-MED](#) [U001023895X1](#) [ED4098-000](#) [NC-LSC05](#) [TE3124-PRINthead](#) [T1K-095095-10-9](#) [FTP-62GY601](#) [FTP-](#)
[62GY301](#) [0803480:0001](#) [346933-000](#) [D-SCE-1K-6.4-50-S2-4](#) [D-SCE-6.4-50-9](#) [0803479:0011](#) [0803479:0021](#) [300147-000](#) [FTP-](#)
[63GUSL001#04](#) [5146202](#) [5145753](#) [0830980](#) [D-SCE-1K-18-50-S1-9](#)