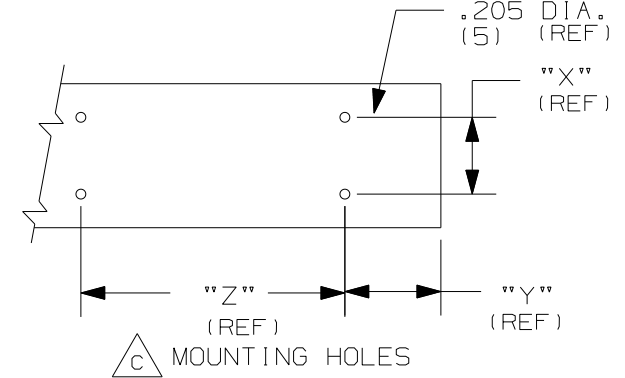


THIS COPY IS PROVIDED ON A RESTRICTED BASIS AND IS NOT TO BE USED IN ANY WAY DETRIMENTAL TO THE INTERESTS OF PANDUIT CORP.

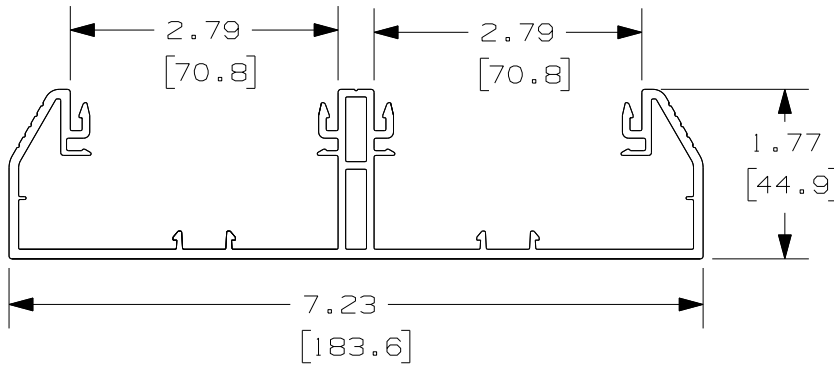
PANDUIT P/N SEE NOTE #1	LENGTH/TOLERANCE	WEIGHT	MOUNTING HOLE DIM'S		
			"X" (80.5)	"Y" (102)	"Z" (33.4)
T702B**8	96.00 IN ±.13 IN (2438 mm ±3.3 mm)	8.0 LB/96 IN. (3636 g/2438 mm)	3.17 (80.5)	4.00 (102)	8.00 (33.4)
T702B**10	120.00 IN ±.13 IN (3048 mm ±3.3 mm)	10.0 LB/120 IN. (4550 g/3048 mm)	3.17 (80.5)	4.00 (102)	8.00 (33.4)
T702B**2	(2000 mm ±3.3 mm)	6.5 LB/78.74 IN. (2970 g/2000 mm)	3.17 (80.5)	3.37 (86)	8.00 (33.4)
T702B**3	(3000 mm ±3.3 mm)	9.8 LB/118.11 IN. (4455 g/3000 mm)	3.17 (80.5)	3.06 (78)	8.00 (33.4)



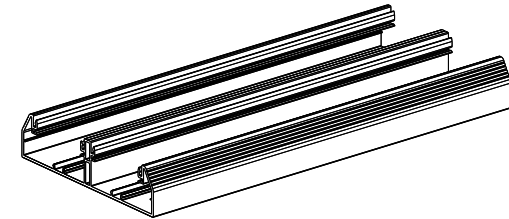
A
A

NOTES:

1. SEE CURRENT CATALOG FOR ADDITIONAL PART SUFFIXES TO INDICATE COLOR AND OR PACKAGE QUANTITY.
2. THE T702B IS USED WITH THE T70C RACEWAY COVER, 2 FT(610) OF COVER REQUIRED FOR EVERY 1 FT(305) OF BASE)
3. DIMENSIONS IN PARENTHESES ARE IN METRIC.



B



CAD FILENAME/LAYERS D34866DJ_DC_T702BASE_02B

PANDUIT CORP. TINLEY PARK, ILLINOIS

PAN-WAY TWIN-70 RACEWAY SYSTEM
(T702B**8, T702B**10, T702B**2, T702B**3)
CUSTOMER DRAWING

REV	DATE	BY	CHK	DESCRIPTION	ECN	CHK	CUST	SUP
3	10-05-08	BDK	BKR	D. REVISED NOTES	34866-63	RTF	RTF	
2	03-12-99	DW	HIW	C. ADDED MOUNTING HOLE DIMENSIONS AND CHART.	34866-63	HIW	HIW	
1	10-20-98	DW	HIW	B. ADDED NOTE 4. A. ADDED 2M AND 3M LENGTHS AND WEIGHTS.	34866-63	HIW	HIW	
R	02-03-98	DW	HIW	RELEASED TO PRODUCTION.	34866-63	HIW	HIW	

UNLESS OTHERWISE SPECIFIED, DIMENSIONAL TOLERANCES ARE: (.X) ± (.XXX) ± (.XX) ±.03(.8) ANGLES ±		UNLESS OTHERWISE SPECIFIED, ALL DIMENSIONS ARE GIVEN IN INCHES, THIRD ANGLE PROJECTION.	
DRAWN BY DW	MAT'L: PVC	SCALE NONE	
DATE 2-3-98	CHECKED BY HIW	DRAWING NO. 34866-63	DWG A SIZE

X-ON Electronics

Largest Supplier of Electrical and Electronic Components

Click to view similar products for [Wire Ducting](#) category:

Click to view products by [Panduit](#) manufacturer:

Other Similar products are found below :

[66200A-10](#) [CVED32VEPG](#) [CVED40VEPG](#) [F512D5-5F140Y](#) [F512D5-5F200Y](#) [F512D5-5F26Y](#) [F512D5-5F30Y](#) [F512D5-5F33Y](#) [F512D5-5F34Y](#) [F512D5-5F45Y](#) [F512D5-5F50Y](#) [F512D5-5F54Y](#) [F512D5-5F66Y](#) [F512D5-5F70Y](#) [F512D5-5F75Y](#) [F512D5-5F90Y](#) [F612D5-5F100Y](#) [F612D5-5F130Y](#) [F612D5-5F50Y](#) [F612D5-5F56Y](#) [F612D5-5F58Y](#) [F6L12D5-5F46](#) [F912D5-5F11Y](#) [F912D5-5F170Y](#) [F912D5-5F175Y](#) [F912D5-5F230Y](#) [F912D5-5F300Y](#) [F912D5-5F55Y](#) [F912D5-5F56Y](#) [F912D5-5F63Y](#) [F912D5-5F6Y](#) [F912D5-5F75Y](#) [F912D5-5F85Y](#) [F912D5-5F86Y](#) [F912D5-5F88Y](#) [F912D5-5F96Y](#) [FAP0047WBLMTP](#) [FAP12WBRDRDDLZ](#) [FAP12WDYLYLDLZ](#) [FAP12WEORORDLZ](#) [FAP6WEORORDLZ](#) [FAP6WFDBDBDLZ](#) [FAP8WEORORDLZ](#) [FCE2UWCL](#) [800A-LB](#) [802A-ECSP](#) [802I-ICSP](#) [FJQADH](#) [FJQFXT](#) [PED10](#)