

THIS COPY IS PROVIDED ON A RESTRICTED BASIS AND IS NOT TO BE USED IN ANY WAY DETRIMENTAL TO THE INTERESTS OF PANDUIT CORP.

COVER

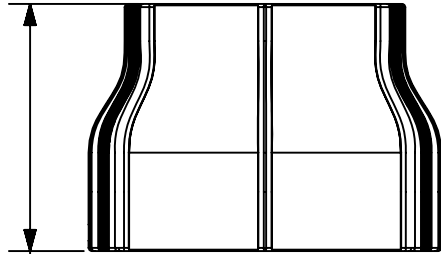
BASE

PANDUIT P/N	WEIGHT
T702EE	1.211 LBS [549.31 g]

△E
△A

NOTES:

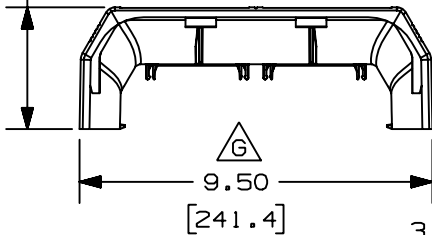
1. SEE CURRENT CATALOG FOR ADDITIONAL PART SUFFIXES TO INDICATE COLOR AND PACKAGE QUANTITY.
2. THIS PART IS INTENDED TO BE USED WITH PANDUIT TWIN 70 RACEWAY.
3. DIMENSIONS IN PARENTHESES ARE IN METRIC.



6.66 △G
[169.1]

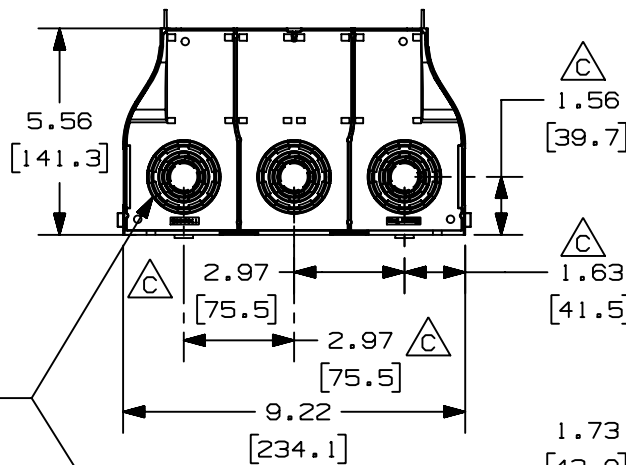
CONCENTRIC BREAKOUTS FOR CONDUIT SIZES: 1/2", 3/4", 1", 1 1/4", 1 1/2"

3.28 △G
[83.3]



9.50 △G
[241.4]

3.16
[80.4]



5.56
[141.3]

1.56 △C
[39.7]

1.63 △C
[41.5]

△C

2.97 △C
[75.5]

2.97 △C
[75.5]

9.22
[234.1]

1.56 △C
[39.7]

△C

2.97 △C
[75.5]

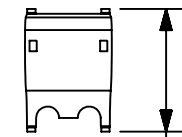
2.97 △C
[75.5]

1.63 △C
[41.5]

INSERT △D

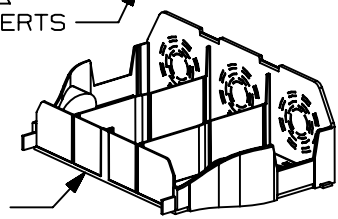
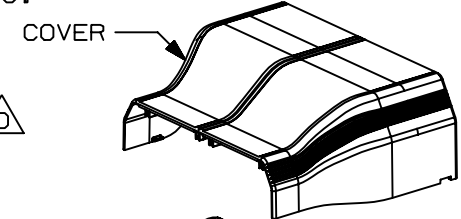


1.73
[43.9]



3 INSERTS △D

2.57
[65.3]



BASE

CAD FILENAME/LAYERS △F D34866DX_DC_T702EE_03A.PRT

PANDUIT

CORP. TINLEY PARK, ILLINOIS

T702 ENTRANCE END FITTING
(T702EE)
CUSTOMER DRAWING

△B △H

UNLESS OTHERWISE SPECIFIED,
DIMENSIONAL TOLERANCES ARE:
(.X) ± (.XXX) ±
(.XX) ±.03 (.8) ANGLES ±

UNLESS OTHERWISE SPECIFIED,
ALL DIMENSIONS ARE GIVEN
IN INCHES, THIRD ANGLE PROJECTION.

DRAWN BY
DW
DATE
02-27-98
CHECKED BY
HIW

MAT'L:
PVC
△A

SCALE
NONE

DRAWING NO.
34866-71

DWG
A
SIZE

REV	DATE	BY	CHK	DESCRIPTION	ECN	CHK	CUST	SUP
-	-----	---	--	H. REVISED PART DESCRIPTION: T702 ENTRANCE END FITTING WAS TWIN 70 ENTRANCE END	-----	-----	-----	
-	-----	---	--	G. ADDED DIMENSIONS F. REVISED CAD FILE NAME	-----	-----	-----	
3	08-13-04	JBN	PM	E. REVISED WEIGHT INFORMATION D. ADDED BEND RADIUS INSERTS	34866-71	RGRO	RGRO	
2	03-15-00	JHNU	BKR	C. ADDED DIMENSIONS FOR BREAKOUTS	34866-71	HIW	HIW	
1	07-27-99	DW	HIW	B. REVISED TITLE NAME A. MAT'L WAS ABS/PC AND REVISED WEIGHT	34866-71	HIW	HIW	
R	02-27-98	DW	HIW	RELEASED TO PRODUCTION	34866-71	HIW	HIW	

X-ON Electronics

Largest Supplier of Electrical and Electronic Components

Click to view similar products for [Wire Ducting](#) category:

Click to view products by [Panduit](#) manufacturer:

Other Similar products are found below :

[66200A-10](#) [CVED32VEPG](#) [CVED40VEPG](#) [F512D5-5F140Y](#) [F512D5-5F200Y](#) [F512D5-5F26Y](#) [F512D5-5F30Y](#) [F512D5-5F33Y](#) [F512D5-5F34Y](#) [F512D5-5F45Y](#) [F512D5-5F50Y](#) [F512D5-5F54Y](#) [F512D5-5F66Y](#) [F512D5-5F70Y](#) [F512D5-5F75Y](#) [F512D5-5F90Y](#) [F612D5-5F100Y](#) [F612D5-5F130Y](#) [F612D5-5F50Y](#) [F612D5-5F56Y](#) [F612D5-5F58Y](#) [F6L12D5-5F46](#) [F912D5-5F11Y](#) [F912D5-5F170Y](#) [F912D5-5F175Y](#) [F912D5-5F230Y](#) [F912D5-5F300Y](#) [F912D5-5F55Y](#) [F912D5-5F56Y](#) [F912D5-5F63Y](#) [F912D5-5F6Y](#) [F912D5-5F75Y](#) [F912D5-5F85Y](#) [F912D5-5F86Y](#) [F912D5-5F88Y](#) [F912D5-5F96Y](#) [FAP0047WBLMTP](#) [FAP12WBRDRDDLDCZ](#) [FAP12WDYLYLDLCZ](#) [FAP12WEORORDLCZ](#) [FAP6WEORORDLCZ](#) [FAP6WFDBDBDLCZ](#) [FAP8WEORORDLCZ](#) [FCE2UWCL](#) [800A-LB](#) [802A-ECSP](#) [802I-ICSP](#) [FJQADH](#) [FJQFXT](#) [PED10](#)