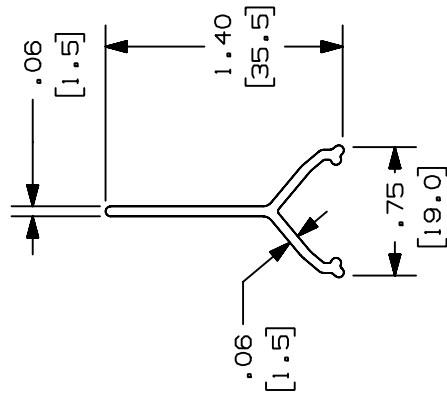


THIS COPY IS PROVIDED ON A RESTRICTED BASIS AND IS NOT TO BE USED IN ANY WAY DETRIMENTAL TO THE INTERESTS OF PANDUIT CORP.



PANDUIT P/N	LENGTH	WEIGHT
T70DW6	72.00 ±.18 (1829 ±4.6)	.44 LB/72 IN (200 G/1829 mm)
T70DW8	96.00 ±.18 (2438 ±4.6)	.59 LB/96 IN (268 G/2438 mm)
T70DW10	120.00 ±.18 (3048 ±4.6)	.73 LB/120 IN (332 G/3048 mm)
T70DW2	78.7 ±.18 (2000 ±4.6)	.48 LB/78.7 IN (218 G/2000 mm)

- NOTES:
- SEE CURRENT CATALOG FOR ADDITIONAL PART SUFFIXES TO INDICATE COLOR AND OR PACKAGE QUANTITY.
 - THE T70DW SNAPS ONTO RAILS IN THE CHANNELS.
 - DIMENSIONS IN PARENTHESIS ARE IN METRIC.

CAD FILENAME/LAYERS

D35541CB_DC-T70DW_02A.PRT

REV	DATE	BY	CHK	DESCRIPTION	ECN	CHK	CUST	SUP
3	05-18-04	JBN	BKR	F. REMOVED T70DW3 PART NUMBER E. REVISED CAD FILE NAME	35541-28	RGRO	RGRO	
2	05-27-99	DW	HIW	D. REVISED WEIGHTS IN CHART C. REVISED PROFILE OF T70DW	35541-28	HIW	HIW	
-	-	-	-	B. REVISED LENGTH TOLERANCE WAS ±.13 IN. (3.3)	-	-	-	
1	07-08-98	DW	HIW	A. ADDED T70DW8, T70DW10, T70DW2, AND T70DW3 TO LENGTH AND WEIGHT	35541-28	HIW	HIW	
R	09-19-96	JBA	CEF	RELEASED TO PRODUCTION	35541-28	CEF		
PANDUIT CORP. TINLEY PARK, ILLINOIS T70 RACEWAY DIVIDER WALL (T70DW6, T70DW8, T70DW10, T70DW2)					UNLESS OTHERWISE SPECIFIED, DIMENSIONAL TOLERANCES ARE: (.X) ± .010 (.3) (.XX) ± .03 (.8) ANGLES ±			
UNLESS OTHERWISE SPECIFIED, ALL DIMENSIONS ARE GIVEN IN INCHES, THIRD ANGLE PROJECTION.					SCALE NONE			
DRAWN BY JBA					MATERIAL:			
DATE 09-19-96					PVC			
CHECKED BY CEF					DRAWING NO. 35541-28			
					DWG SIZE A			

X-ON Electronics

Largest Supplier of Electrical and Electronic Components

Click to view similar products for [Wire Ducting](#) category:

Click to view products by [Panduit](#) manufacturer:

Other Similar products are found below :

[66200A-10](#) [CVED32VEPG](#) [CVED40VEPG](#) [F512D5-5F140Y](#) [F512D5-5F200Y](#) [F512D5-5F26Y](#) [F512D5-5F30Y](#) [F512D5-5F33Y](#) [F512D5-5F34Y](#) [F512D5-5F45Y](#) [F512D5-5F50Y](#) [F512D5-5F54Y](#) [F512D5-5F66Y](#) [F512D5-5F70Y](#) [F512D5-5F75Y](#) [F512D5-5F90Y](#) [F612D5-5F100Y](#) [F612D5-5F130Y](#) [F612D5-5F50Y](#) [F612D5-5F56Y](#) [F612D5-5F58Y](#) [F6L12D5-5F46](#) [F912D5-5F11Y](#) [F912D5-5F170Y](#) [F912D5-5F175Y](#) [F912D5-5F230Y](#) [F912D5-5F300Y](#) [F912D5-5F55Y](#) [F912D5-5F56Y](#) [F912D5-5F63Y](#) [F912D5-5F6Y](#) [F912D5-5F75Y](#) [F912D5-5F85Y](#) [F912D5-5F86Y](#) [F912D5-5F88Y](#) [F912D5-5F96Y](#) [FAP0047WBLMTP](#) [FAP12WBRDRDDLZ](#) [FAP12WDYLYLDLZ](#) [FAP12WEORORDLZ](#) [FAP6WEORORDLZ](#) [FAP6WFDBDBDLZ](#) [FAP8WEORORDLZ](#) [FCE2UWCL](#) [800A-LB](#) [802A-ECSP](#) [802I-ICSP](#) [FJQADH](#) [FJQFXT](#) [PED10](#)