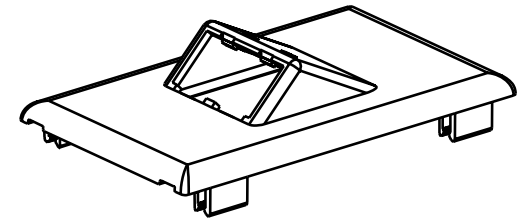
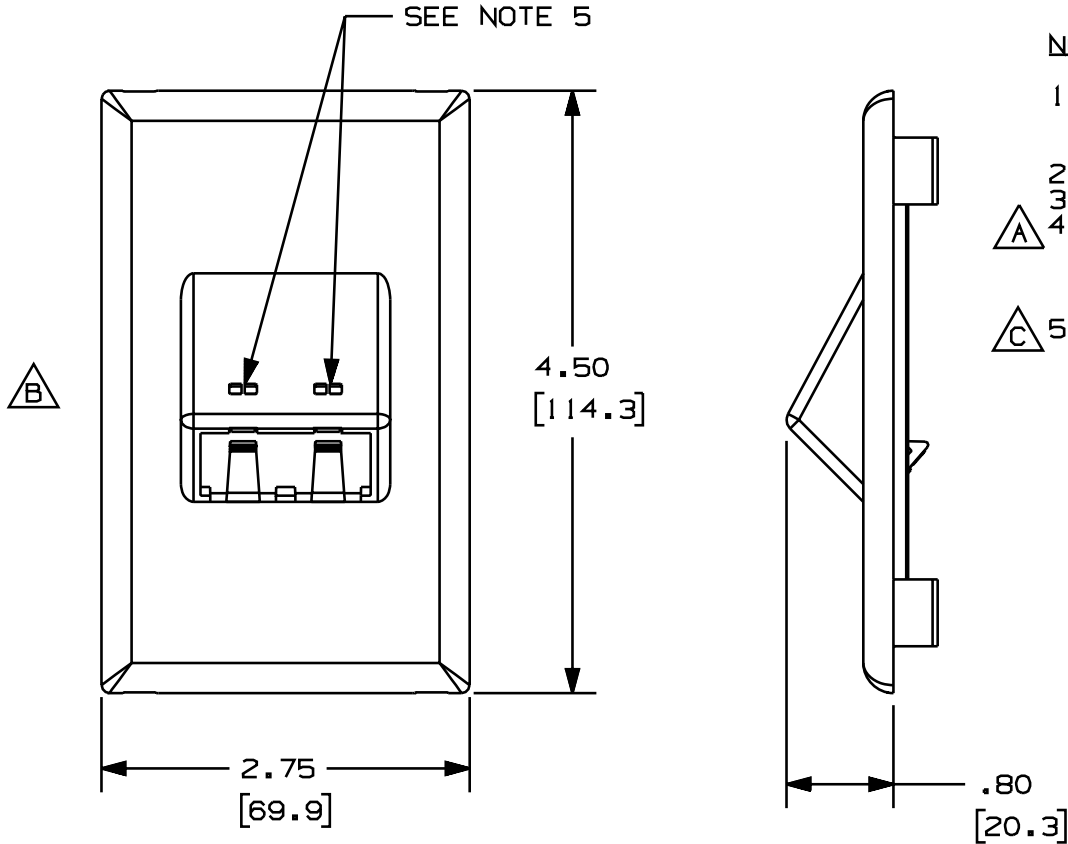


THIS COPY IS PROVIDED ON A RESTRICTED BASIS AND IS NOT TO BE USED IN ANY WAY DETRIMENTAL TO THE INTERESTS OF PANDUIT CORP.

PANDUIT P/N	WEIGHT
T70FV2	.77 LB/10 PCS (350 g/10 PCS)

NOTES:

1. SEE CURRENT CATALOG FOR ADDITIONAL PART SUFFIXES TO INDICATE COLOR AND OR PACKAGE QUANTITY.
2. THE T70FV2 ACCEPTS TWO (2) MINI-COM MODULES.
3. DIMENSIONS IN PARENTHESIS ARE IN METRIC.
4. THE T70FV2 FACEPLATE CAN BE USED WITH PANDUIT SURFACE RACEWAY SYSTEMS AND BOXES THAT ACCEPT 70mm SNAP-ON FACEPLATES (INCLUDES: T-70, TWIN-70, TE70, TG-70, ETC.)
5. PANDUIT PART NUMBERS CIP**C AND CID**C TO BE USED WITH ICON POCKETS.



CAD FILENAME/LAYERS D37245BE_DC_T70PB1_00C.prt

PANDUIT CORP. TINLEY PARK, ILLINOIS
 TWO MINI-COM MODULE VERTICAL
 SLOPED SNAP-ON FACEPLATE (T70FV2)
 CUSTOMER DRAWING

UNLESS OTHERWISE SPECIFIED,
 DIMENSIONAL TOLERANCES ARE:
 (.X) : (.XXX) :
 (.XX) : .031.81 ANGLES :

UNLESS OTHERWISE SPECIFIED,
 ALL DIMENSIONS ARE GIVEN
 IN INCHES, THIRD ANGLE PROJECTION.

REV	DATE	BY	CHK	DESCRIPTION	ECN	R	CUST	SUP
2	4-14-00	MSO	HIW	C. ADDED NOTE 5. B. REVISED GEOMETRY TO INCLUDE ICON POCKETS.	37245-05	HIW	HIW	
1	3/2/00	JHNUH	HIW	A. ADDED NOTE 4	37245-05	HIW	HIW	
R	9/7/99	DW	CEO	RELEASED TO PRODUCTION	37245-05	HIW	HIW	

DRAWN BY DW	MAT'L: PVC	SCALE NONE
DATE 8/11/99		DRAWING NO. 37245-05
CHK'D HIW		DRG A SIZE

X-ON Electronics

Largest Supplier of Electrical and Electronic Components

Click to view similar products for [Wire Ducting & Raceways](#) category:

Click to view products by [Panduit](#) manufacturer:

Other Similar products are found below :

[800A-LB](#) [801I-LSP](#) [802A-ECSP](#) [802I-ICSP](#) [923223-000](#) [PRAF6WH-X](#) [A0405538](#) [1301150342](#) [1301160034](#) [1301170070](#) [1301180011](#)
[1301230083](#) [1301230153](#) [1301240273](#) [1301250006](#) [1302261238](#) [1302261321](#) [1302262552](#) [1302263103](#) [1302263178](#) [1302263259](#)
[1302263816](#) [1302263860](#) [1302264375](#) [1302264390](#) [1301150343](#) [1301160030](#) [1301170050](#) [1301170051](#) [1301170061](#) [1301180013](#)
[1301230086](#) [1301230130](#) [1301240054](#) [1302260055](#) [1302260376](#) [1302261343](#) [1302261344](#) [1302262674](#) [1302263095](#) [1302263166](#)
[1302263209](#) [1302263513](#) [1302263851](#) [1302263870](#) [1302264137](#) [1302264218](#) [DD1/J](#) [AX101472](#) [AX102007](#)