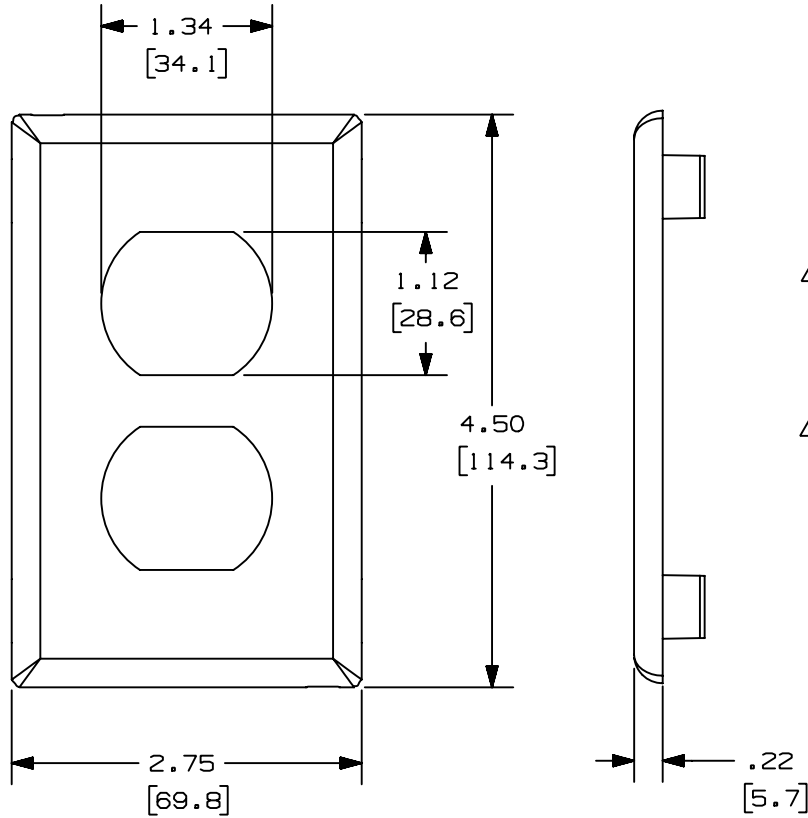


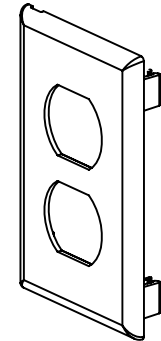
THIS COPY IS PROVIDED ON A RESTRICTED BASIS AND IS NOT TO BE USED IN ANY WAY DETRIMENTAL TO THE INTERESTS OF PANDUIT CORP.



PANDUIT P/N	WEIGHT
T70P	.052 LB (23.7 g)
OF70P	

NOTES:

- SEE CURRENT CATALOG FOR ADDITIONAL PART SUFFIXES TO INDICATE COLOR AND OR PACKAGE QUANTITY.
- THE T70P FACEPLATE CAN BE USED WITH PANDUIT SURFACE RACEWAY SYSTEMS AND BOXES THAT ACCEPT 70mm SNAP-ON FACEPLATES (INCLUDES: T-70, TWIN-70, TE70, TG-70, ETC.)
- THE T70P FACEPLATE FITS NEMA STANDARD DUPLEX RECEPTACLES.
- DIMENSIONS IN PARENTHESES ARE IN METRIC.
- THE OF70P FACEPLATE CAN BE USED WITH PANDUIT OFFICE FURNITURE CORNER RACEWAY (OFCR70) AND DESK MOUNT BOX (OFR20DMB.)



CAD FILENAME/LAYERS D36572B0_DC_T70P_02A.prt

PANDUIT CORP. TINLEY PARK, ILLINOIS
 T-70 SNAP-ON CLASSIC SERIES
 "106"/DUPLEX FACEPLATE (T70P & OF70P)
 CUSTOMER DRAWING

REV	DATE	BY	CHK	DESCRIPTION	ECN	CHK	CUST	SUP
-	-----	---	--	E. REVISED PART WEIGHT: WAS PER 10 PCS	-----	----	----	
3	06-11-04	JBN	PM	D. ADDED NOTE #5 C. ADDED PART NUMBER OF70P	36572-15	RGRO	RGRO	
2	03-13-00	JHNU	HIW	B. REV'D NOTE 2: ADDED TG-70	36572-15	HIW	HIW	
1	06-30-99	DW	HIW	A. REVISED TITLE NAME.	36572-15	HIW	HIW	
R	02-16-98	DW	HIW	RELEASED TO PRODUCTION.	36572-15	HIW	HIW	

UNLESS OTHERWISE SPECIFIED, DIMENSIONAL TOLERANCES ARE: (.X) ± (.XXX) ± (.XX) ±.03(.8) ANGLES ±		UNLESS OTHERWISE SPECIFIED, ALL DIMENSIONS ARE GIVEN IN INCHES, THIRD ANGLE PROJECTION.	
DRAWN BY DW	MAT'L: PVC	SCALE NONE	
DATE 02-16-98	CHECKED BY HIW	DRAWING NO. 36572-15	DWG A SIZE

X-ON Electronics

Largest Supplier of Electrical and Electronic Components

Click to view similar products for [Wire Ducting](#) category:

Click to view products by [Panduit](#) manufacturer:

Other Similar products are found below :

[66200A-10](#) [CVED32VEPG](#) [CVED40VEPG](#) [F512D5-5F140Y](#) [F512D5-5F200Y](#) [F512D5-5F26Y](#) [F512D5-5F30Y](#) [F512D5-5F33Y](#) [F512D5-5F34Y](#) [F512D5-5F45Y](#) [F512D5-5F50Y](#) [F512D5-5F54Y](#) [F512D5-5F66Y](#) [F512D5-5F70Y](#) [F512D5-5F75Y](#) [F512D5-5F90Y](#) [F612D5-5F100Y](#) [F612D5-5F130Y](#) [F612D5-5F50Y](#) [F612D5-5F56Y](#) [F612D5-5F58Y](#) [F6L12D5-5F46](#) [F912D5-5F11Y](#) [F912D5-5F170Y](#) [F912D5-5F175Y](#) [F912D5-5F230Y](#) [F912D5-5F300Y](#) [F912D5-5F55Y](#) [F912D5-5F56Y](#) [F912D5-5F63Y](#) [F912D5-5F6Y](#) [F912D5-5F75Y](#) [F912D5-5F85Y](#) [F912D5-5F86Y](#) [F912D5-5F88Y](#) [F912D5-5F96Y](#) [FAP0047WBLMTP](#) [FAP12WBRDRDDLZ](#) [FAP12WDYLYLDLZ](#) [FAP12WEORORDLZ](#) [FAP6WEORORDLZ](#) [FAP6WFDBDBDLZ](#) [FAP8WEORORDLZ](#) [FCE2UWCL](#) [800A-LB](#) [802A-ECSP](#) [802I-ICSP](#) [FJQADH](#) [FJQFXT](#) [PED10](#)