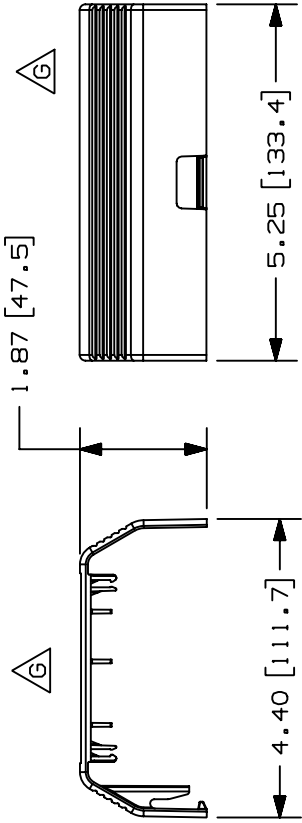


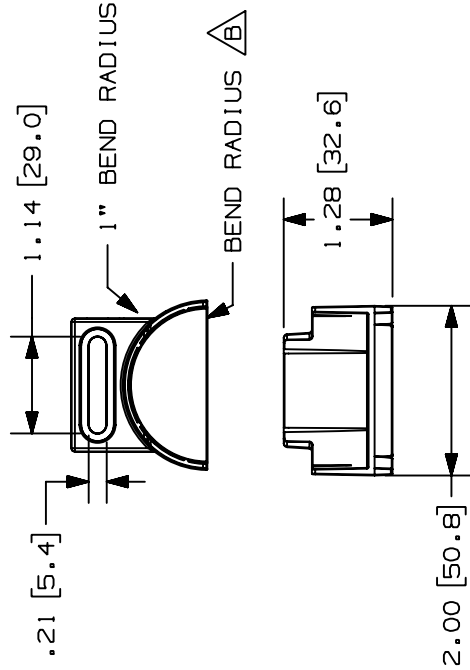
THIS COPY IS PROVIDED ON A RESTRICTED BASIS AND IS NOT TO BE USED IN ANY WAY DETRIMENTAL TO THE INTERESTS OF PANDUIT CORP.



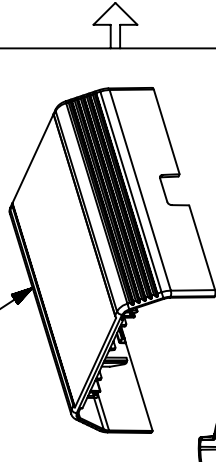
PANDUIT P/N	WEIGHT
T70TRC	.179 LBS/PC (107.16 g/PC)



- NOTES:
- SEE CURRENT CATALOG FOR ADDITIONAL PART SUFFIXES TO INDICATE COLOR AND OR PACKAGE QUANTITY.
 - THIS PRODUCT IS INTENDED TO BE USED WITH PANDUIT TYPE LDS, LDP, LD, PD, T70, AND T45 RACEWAYS.
 - DIMENSIONS IN PARENTHESES ARE IN METRIC.



COVER



INSERT



CAD FILENAME/LAYERS D35541CX_DC_T70TRC_04A.prt

PANDUIT		CORP. TINLEY PARK, ILLINOIS						
T-70 TRANSITION COVER WITH BEND RADIUS (T70TRC)		CUSTOMER DRAWING						
UNLESS OTHERWISE SPECIFIED, DIMENSIONAL TOLERANCES ARE: (.X) ± (.XX) ± (.XX) ± (.031.8) ANGLES ±		UNLESS OTHERWISE SPECIFIED, ALL DIMENSIONS ARE GIVEN IN INCHES, THIRD ANGLE PROJECTION.						
DRAWN BY	PM	MAT'L:	NONE					
DATE	10-07-96	DRAWING NO.	35541-50					
CHECKED BY	CEF	SCALE	A					
REV	DATE	BY	CHK	DESCRIPTION	ECN	CHK	CUST	SUP
5	05-18-04	JBN	BKR	K. REVISED WEIGHT PER PC: WAS PER 10 PCS	35541-50	RGRO	RGRO	
4	01-13-00	JHNU	BKR	J. REVISED CAD FILE NAME H. ADDED T70 AND T45 TO NOTE 2 G. REVISED GEOMETRY FOR T45 BREAKOUT	35541-50	H1W	H1W	
3	12-17-98	JHNU	H1W	F. 1.79 LB WAS 1.63LB, 107166 WAS 9742G E. PVC WAS ABS/POLYCARBONATE D. T-70 WAS T70				
2	06-22-98	DW	CEF	C. TITLE WAS SINGLE 70 TRANSITION B. ADDED TRANSITION BEND RADIUS				
1	10-18-96	PM	CEF	A. REVISED BREAKOUT GEOMETRY				
R	10-07-96	PM	CEF	RELEASED TO PRODUCTION				

X-ON Electronics

Largest Supplier of Electrical and Electronic Components

Click to view similar products for [Wire Ducting](#) category:

Click to view products by [Panduit](#) manufacturer:

Other Similar products are found below :

[66200A-10](#) [CVED32VEPG](#) [CVED40VEPG](#) [F512D5-5F140Y](#) [F512D5-5F200Y](#) [F512D5-5F26Y](#) [F512D5-5F30Y](#) [F512D5-5F33Y](#) [F512D5-5F34Y](#) [F512D5-5F45Y](#) [F512D5-5F50Y](#) [F512D5-5F54Y](#) [F512D5-5F66Y](#) [F512D5-5F70Y](#) [F512D5-5F75Y](#) [F512D5-5F90Y](#) [F612D5-5F100Y](#) [F612D5-5F130Y](#) [F612D5-5F50Y](#) [F612D5-5F56Y](#) [F612D5-5F58Y](#) [F6L12D5-5F46](#) [F912D5-5F11Y](#) [F912D5-5F170Y](#) [F912D5-5F175Y](#) [F912D5-5F230Y](#) [F912D5-5F300Y](#) [F912D5-5F55Y](#) [F912D5-5F56Y](#) [F912D5-5F63Y](#) [F912D5-5F6Y](#) [F912D5-5F75Y](#) [F912D5-5F85Y](#) [F912D5-5F86Y](#) [F912D5-5F88Y](#) [F912D5-5F96Y](#) [FAP0047WBLMTP](#) [FAP12WBRDRDDLZ](#) [FAP12WDYLYLDLZ](#) [FAP12WEORORDLZ](#) [FAP6WEORORDLZ](#) [FAP6WFDBDBDLZ](#) [FAP8WEORORDLZ](#) [FCE2UWCL](#) [800A-LB](#) [802A-ECSP](#) [802I-ICSP](#) [FJQADH](#) [FJQFXT](#) [PED10](#)