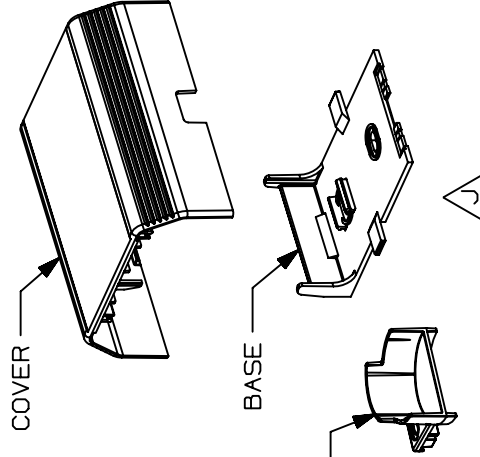
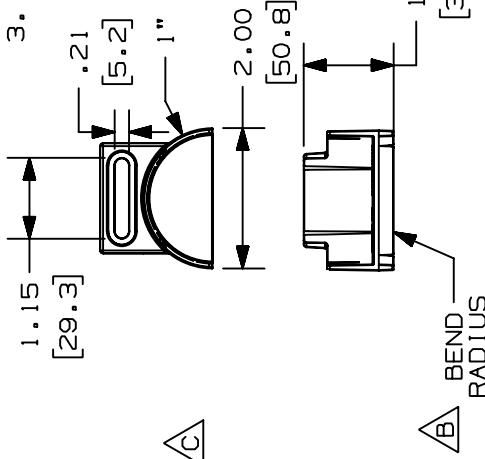
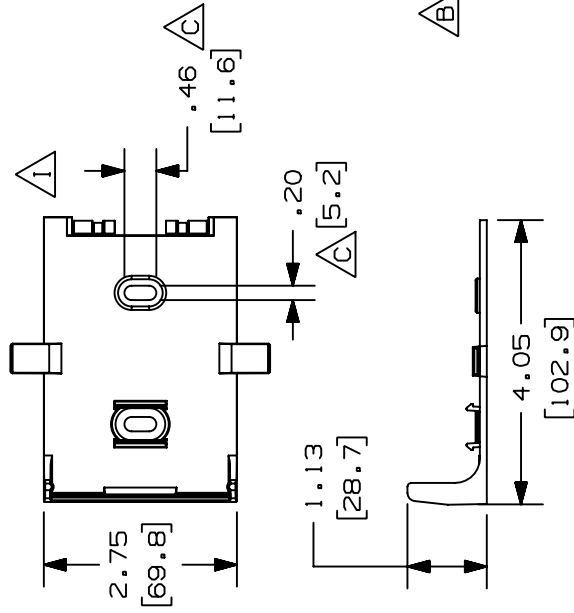
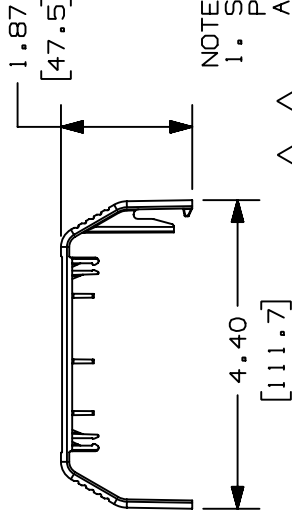


THIS COPY IS PROVIDED ON A RESTRICTED BASIS AND IS NOT TO BE USED IN ANY WAY DETRIMENTAL TO THE INTERESTS OF PANDUIT CORP.

PANDUIT P/N	WEIGHT
T70TR	.242 LBS/PC (108.2 g/PC)



- NOTES:
- SEE CURRENT CATALOG FOR ADDITIONAL PART SUFFIXES TO INDICATE COLOR AND OR PACKAGE QUANTITY. THIS PRODUCT IS INTENDED TO BE USED WITH PANDUIT TYPE LDS, LDP, LD, PD, T70, AND T45 RACEWAYS.
 - DIMENSIONS IN PARENTHESIS ARE IN METRIC.



CAD FILENAME/LAYERS D35541CW_DC_T70TR_04A.prt

PANDUIT		PANDUIT CORP. TINLEY PARK, ILLINOIS						
T-70 TRANSITION WITH BEND RADIUS (T70TR)		CUSTOMER DRAWING						
UNLESS OTHERWISE SPECIFIED, DIMENSIONAL TOLERANCES ARE: (.X) ± .03(.8) ANGLES ±		UNLESS OTHERWISE SPECIFIED, ALL DIMENSIONS ARE GIVEN IN INCHES, THIRD ANGLE PROJECTION.						
REV	DATE	BY	CHK	DESCRIPTION	ECN	R	CUST	SUP
5	05-18-04	JBN	BKR	REVISED WEIGHT PER PC: WAS PER 10 PCS	35541-49	----	----	----
4	01-13-00	JHNJ	BKR	REVISED GEOMETRY FOR T45 BREAKOUT H: ADDED T70 AND T45 TO NOTE 2	35541-49	H1W	H1W	RGRO
3	12-20-98	M50	H1W	PVC WAS ABS/POLYCARBONATE E: REVISED DRAWING TITLE	35541-49	H1W	H1W	RGRO
2	06-22-98	DW	H1W	TITLE WAS SINGLE T70 TRANSITION B: ADDED TRANSITION BEND RADIUS; C. ADDED HOLE SIZE	35541-49	H1W	H1W	RGRO
1	10-18-96	PM	CEF	REVISED BREAKOUT GEOMETRY	35541-49	CEF	CEF	RGRO
R	10-08-96	PM	CEF	RELEASED TO PRODUCTION	35541-49	CEF	CEF	RGRO
SCALE		NONE						
DRAWING NO.		35541-49						
SIZE		A						

X-ON Electronics

Largest Supplier of Electrical and Electronic Components

Click to view similar products for [Wire Ducting](#) category:

Click to view products by [Panduit](#) manufacturer:

Other Similar products are found below :

[66200A-10](#) [CVED32VEPG](#) [CVED40VEPG](#) [F512D5-5F140Y](#) [F512D5-5F200Y](#) [F512D5-5F26Y](#) [F512D5-5F30Y](#) [F512D5-5F33Y](#) [F512D5-5F34Y](#) [F512D5-5F45Y](#) [F512D5-5F50Y](#) [F512D5-5F54Y](#) [F512D5-5F66Y](#) [F512D5-5F70Y](#) [F512D5-5F75Y](#) [F512D5-5F90Y](#) [F612D5-5F100Y](#) [F612D5-5F130Y](#) [F612D5-5F50Y](#) [F612D5-5F56Y](#) [F612D5-5F58Y](#) [F6L12D5-5F46](#) [F912D5-5F11Y](#) [F912D5-5F170Y](#) [F912D5-5F175Y](#) [F912D5-5F230Y](#) [F912D5-5F300Y](#) [F912D5-5F55Y](#) [F912D5-5F56Y](#) [F912D5-5F63Y](#) [F912D5-5F6Y](#) [F912D5-5F75Y](#) [F912D5-5F85Y](#) [F912D5-5F86Y](#) [F912D5-5F88Y](#) [F912D5-5F96Y](#) [FAP0047WBLMTP](#) [FAP12WBRDRDDLZ](#) [FAP12WDYLYLDLZ](#) [FAP12WEORORDLZ](#) [FAP6WEORORDLZ](#) [FAP6WFDBDBDLZ](#) [FAP8WEORORDLZ](#) [FCE2UWCL](#) [800A-LB](#) [802A-ECSP](#) [802I-ICSP](#) [FJQADH](#) [FJQFXT](#) [PED10](#)