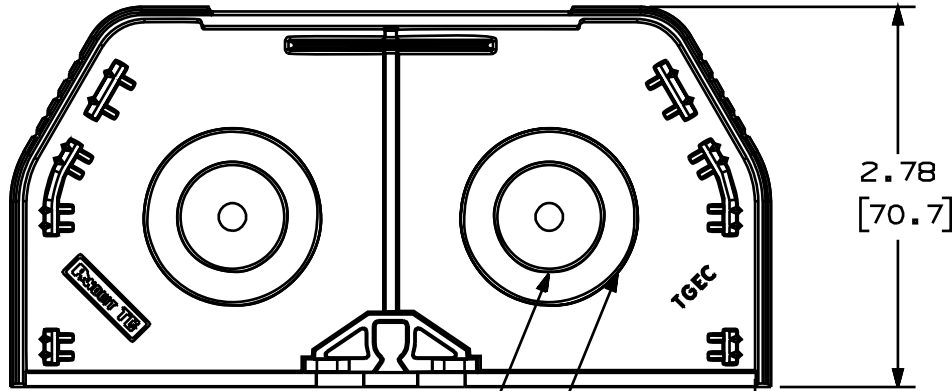


THIS COPY IS PROVIDED ON A RESTRICTED BASIS AND IS NOT TO BE USED IN ANY WAY DETRIMENTAL TO THE INTERESTS OF PANDUIT CORP.



.50 (12.7) DIA. CONDUIT BREAKOUTS

1.00 (25.4) DIA. CONDUIT BREAKOUTS

.20 DIA  
[5.0]

.117  
[3.0]

1.50  
[38.1]

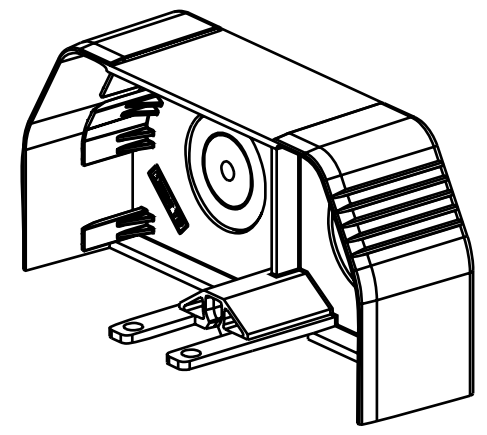
2.12  
[53.8]

5.57  
[141.5]

| PANDUIT P/N | WEIGHT                            |
|-------------|-----------------------------------|
| TGEC        | 1.74 LB/10 PCS.<br>(790g/10 PCS.) |

**NOTES:**

- SEE CURRENT CATALOG FOR ADDITIONAL PART SUFFIXES TO INDICATE COLOR AND OR PACKAGE QUANTITY.
- THE END CAP FITTING IS USED IN TERMINATING OR ENTERING TG RACEWAY.
- DIMENSIONS IN PARENTHESIS ARE IN METRIC.



|  |        |   |      |
|--|--------|---|------|
| CAD FILENAME/LAYERS  |        | D37270CA_DC_TGEC_00A.prt  |      |
| <h1>PANDUIT</h1> <p>CORP. TINLEY PARK, ILLINOIS</p> <p><b>TG END CAP (TGEC)</b></p> <p><b>CUSTOMER DRAWING</b></p> |        |   |      |
| UNLESS OTHERWISE SPECIFIED, DIMENSIONAL TOLERANCES ARE:  |        | UNLESS OTHERWISE SPECIFIED, ALL DIMENSIONS ARE GIVEN IN INCHES, THIRD ANGLE PROJECTION. |      |
| (.X) ± .010 (.3)   |        |   |      |
| (.XX) ± .031 (.8)  |        |   |      |
| ANGLES ±   |        |   |      |
| DRAWN BY   | MAT'L: | SCALE   |      |
| MSO  | PVC    | NONE  |      |
| DATE   |        | DRAWING NO.   | DRG  |
| 3-15-00  |        | 37270-48  | A    |
| CHECKED BY   |        |   | SIZE |
| CEO  |        |   |      |

| REV | DATE    | BY  | CHK | DESCRIPTION             | ECN      | CHK | CUST | SUP |
|-----|---------|-----|-----|-------------------------|----------|-----|------|-----|
| R   | 3-15-00 | MSO | CEO | RELEASED TO PRODUCTION. | 37270-48 | HIW | HIW  |     |

## X-ON Electronics

Largest Supplier of Electrical and Electronic Components

*Click to view similar products for [Wire Ducting & Raceways](#) category:*

*Click to view products by [Panduit](#) manufacturer:*

Other Similar products are found below :

[FG5EI25-A](#) [PED12](#) [PED8](#) [PEVEP](#) [FXOE3-10M3](#) [FZD3-3M2](#) [FZLE10-10M2](#) [FZOE10-10M1](#) [FZOLE10-10M2](#) [FZPE3-10M2](#) [923223-000](#)  
[PRAF6WH-X](#) [A0405538](#) [1301150342](#) [1301230083](#) [1301150343](#) [1301230086](#) [1301240054](#) [AX101472](#) [AX102652](#) [AX102653](#) [AX102737](#)  
[S62DS](#) [S65DS](#) [S75DSH](#) [A0405536](#) [A0405537](#) [A0649869](#) [FXOD3-3M1](#) [FXOE10-10M2](#) [FZLD3-3M2](#) [FZOE3-10M1](#) [FZOE3-10M2](#)  
[FZOLE3-10M2](#) [FZOPE10-10M1](#) [FZPD3-3M2](#) [PZRFE4](#) [PZWIFIEN](#) [PZWIFIENA](#) [CNPSNH](#) [CNSPC](#) [5400ES](#) [WDLT-1216-72](#) [655287-000](#)  
[S75DS](#) [1301180028](#) [801A-LSP](#) [TGECAW](#) [206461-000](#) [853425-000](#)