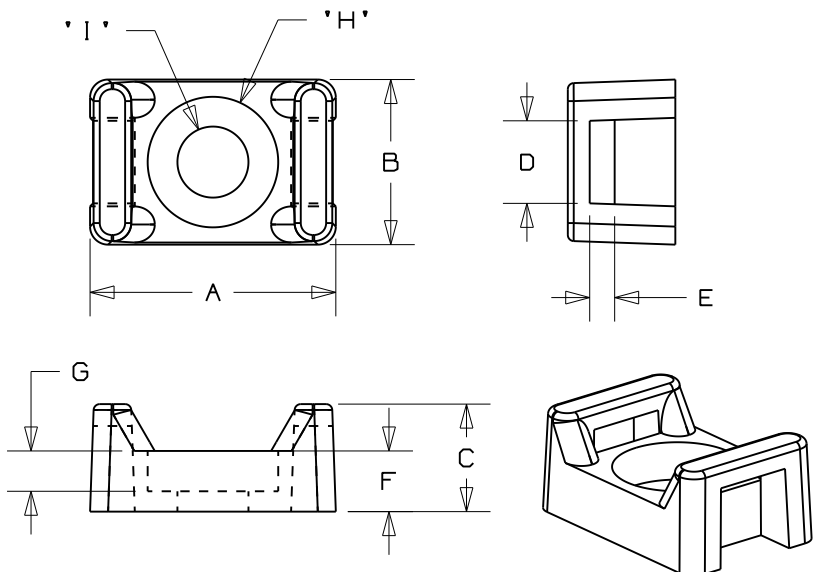


THIS COPY IS PROVIDED ON A RESTRICTED BASIS AND IS NOT TO BE USED IN ANY WAY DETRIMENTAL TO THE INTERESTS OF PANDUIT CORP.

PANDUIT PART #	RECOMMENDED FASTENER	A	B	C	D +.015 (+.38) -.005 (-.13)	E	F	G (REF)	H (REF)	I (REF)	USE WITH CABLE TIE CROSS SECTIONS	WEIGHT 100 pcs lbs (g)
TM2S8-76	#8 (M4) SCREW	.630 (16.0)	.425 (10.8)	.275 (7.0)	.215 (5.5)	.060 (1.5)	.155 (3.9)	.105 (2.7)	.325 (8.3)	.175 (4.4)	MINIATURE INTERMEDIATE STANDARD	.16 (73)
TM3S8-76		.855 (21.7)	.610 (15.5)	.375 (9.5)	.320 (8.1)	.089 (2.3)	.205 (5.2)	.110 (2.8)	.325 (8.3)	.175 (4.4)	STANDARD LIGHT HEAVY	.54 (245)
TM3S10-76	#10 (M5) SCREW	.855 (21.7)	.610 (15.5)	.375 (9.5)	.320 (8.1)	.089 (2.3)	.205 (5.2)	.110 (2.8)	.385 (9.8)	.193 (4.9)		



NOTES:

1. SEE CURRENT PRICE SHEET FOR PART NUMBER SUFFIX DESIGNATION FOR PACKAGE SIZE.
2. COUNTERBORE HOLE TO PROVIDE LESS OF AN OBSTRUCTION TO THE BUNDLE.
3. UNIQUE CRADLE DESIGN PROVIDES MAXIMUM STABILITY AND RIGIDITY TO THE WIRE BUNDLE.
4. TEFLON OFFERS A RESISTANCE TO ENVIRONMENTAL STRESSES SUCH AS CHEMICAL ATTACK, GAMMA RADIATION, ULTRAVIOLET RADIATION AND EXTREME TEMPERATURES.
5. TEFLON HAS A UL FLAMMABILITY RATING OF UL94V-0.

DIMENSIONS IN PARENTHESIS ARE IN METRIC UNITS

CAD FILENAME/LAYERS W10001CR/04-SS-27262

PANDUIT CORP. TINLEY PARK, ILLINOIS

TM2, TM3 TIE MOUNTS
ELEVATED TEMPERATURE SERIES

UNLESS OTHERWISE SPECIFIED,
DIMENSIONAL TOLERANCES ARE:
(.X) ± .1(2.5)(.XXX) ± .020(.51)
(.XX) ± .02(.5) ANGLES ± 5°

UNLESS OTHERWISE SPECIFIED,
ALL DIMENSIONS ARE GIVEN
IN INCHES, THIRD ANGLE PROJECTION.

DRAWN BY BSH	MAT'L: TEFZEL FLUOROPOLYMER COLOR: -76/AQUA BLUE	SCALE NONE
DATE 5/19/00	REG. T.M. OF E.I. DuPont De Nemours Co.	DRAWING NO. SS-27262
CHK'D HVP		DWG A SIZE

REV	DATE	BY	CHK	DESCRIPTION	ECN	R	CUST	SUP
4	9/10/08	ERW		UPDATED DIMENSION 'H'. SEE ECN FOR DETAILS.	SS-27262	4		

X-ON Electronics

Largest Supplier of Electrical and Electronic Components

Click to view similar products for [Cable Tie Mounts](#) category:

Click to view products by [Panduit](#) manufacturer:

Other Similar products are found below :

[3-350087-0](#) [CTB75X75BKA-C](#) [561-EZAB580T](#) [561-EZS375B40](#) [561-TA250125](#) [08443-0](#) [10035-0](#) [561-TA00600](#) [1689174-1](#) [08445-0](#)
[10351-0](#) [561-TA250125B](#) [20015-0](#) [10350-0](#) [10029-0](#) [08484-0](#) [08446-0](#) [08318-0](#) [PAM075NY-A-C](#) [MTH1-3](#) [10044](#) [151-01802](#) [151-11319](#)
[151-11819](#) [PLWP1SB-D](#) [PLWP1M-C](#) [PLWP2SA-D](#) [PLWP2SB-D](#) [PLWP2S-C](#) [PLWP1S-D](#) [PLWP1M-D](#) [TA1S8-C](#) [ABM3H-A-L](#) [ABM3H-](#)
[AT-T0](#) [EMS-A-C0](#) [EMSK3-1-3-0](#) [10079](#) [10030](#) [151-10930](#) [151-10920](#) [3590](#) [151-28320](#) [151-28349](#) [151-28530](#) [151-10914](#) [151-10904](#) [151-](#)
[10915](#) [151-10916](#) [151-10906](#) [115-06960](#)