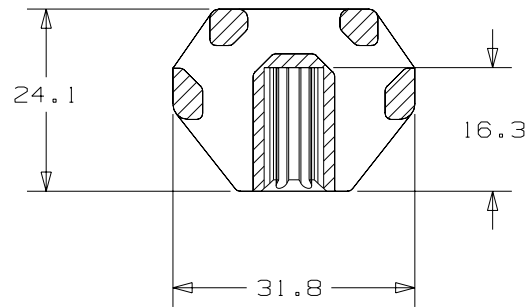
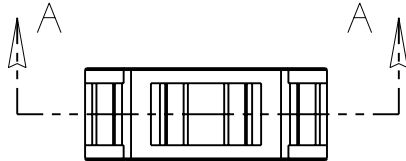
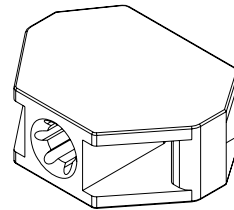


THIS COPY IS PROVIDED ON A RESTRICTED BASIS AND IS NOT TO BE USED IN ANY WAY DETRIMENTAL TO THE INTERESTS OF PANDUIT CORP.

| PANDUIT PART NUMBER* | RECOMMENDED MOUNT STUD | MINIMUM INSTALLED STUD PROTRUSION | DIMENSION "A" REF | WEIGHT grams 100 pcs | FOR USE WITH THE FOLLOWING PANDUIT CABLE TIES |
|----------------------|------------------------|-----------------------------------|-------------------|----------------------|--|
| TMSTLHS5-30 | M5 | 12.70 | 4.597 DIA | 486 | MINIATURE INTERMEDIATE STANDARD LIGHT HEAVY |
| TMSTLHS6 | M6 | | 5.520 DIA | 470 | |
| TMSTLHS8 | M8 | | 7.595 DIA | 444 | |

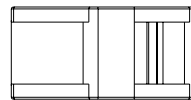
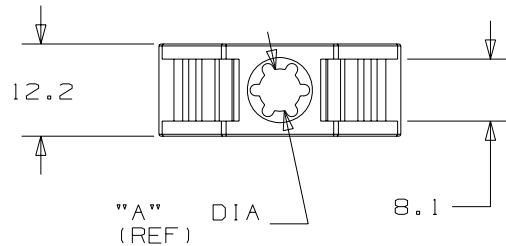


SECTION A-A



*NOTES:

- SEE CURRENT PRICE SHEET FOR PART NUMBER SUFFIX DESIGNATION CONCERNING PACKAGE SIZE, PART MATERIAL AND PART COLOR.



CAD FILENAME/LAYERS G00239CV_PB_TMSTLH_07



TMSTLH__ TIE MOUNT FOR THREADED STUD

UNLESS OTHERWISE SPECIFIED, DIMENSIONAL TOLERANCES ARE:
 (.X) ± 1.3 (.XXX) ± 0.25
 (.XX) ± 0.5 ANGLES ± 5°

UNLESS OTHERWISE SPECIFIED, ALL DIMENSIONS ARE GIVEN IN METRIC (mm), THIRD ANGLE PROJECTION.

| REV | DATE | BY | CHK | DESCRIPTION | ECN | R | CUST | SUP |
|-----|--------|------|-----|--|----------|---|------|-----|
| 7 | 5-3-06 | TMSA | | REVISED DIM 'A' DIA FROM 5.613 REMOVED ENGLISH STUD SIZES | GB0239CV | 7 | | |
| 6 | 6/4/03 | JAD | | REVISED FORMAT, CONVERT TO METRIC ONLY | GB0239CV | 6 | | |

| | |
|------------------|---------------------|
| DRAWN BY GDH | MAT'L: NYLON 6/6 |
| DATE 10/10/95 | |
| CHK'D | |

| | |
|-------------------------|------------------|
| SCALE 1 : 1 | DWG A SIZE |
| DRAWING NO. GB0239CV | |

X-ON Electronics

Largest Supplier of Electrical and Electronic Components

Click to view similar products for [Cable Tie Mounts](#) category:

Click to view products by [Panduit](#) manufacturer:

Other Similar products are found below :

[3-350087-0](#) [CTB75X75BKA-C](#) [561-EZAB580T](#) [561-EZS375B40](#) [561-TA250125](#) [08443-0](#) [10035-0](#) [561-TA00600](#) [1689174-1](#) [08445-0](#)
[10351-0](#) [561-TA250125B](#) [20015-0](#) [10350-0](#) [10029-0](#) [08484-0](#) [08446-0](#) [08318-0](#) [PAM075NY-A-C](#) [MTH1-3](#) [10044](#) [151-01802](#) [151-11319](#)
[151-11819](#) [PLWP1SB-D](#) [PLWP1M-C](#) [PLWP2SA-D](#) [PLWP2SB-D](#) [PLWP2S-C](#) [PLWP1S-D](#) [PLWP1M-D](#) [TA1S8-C](#) [ABM3H-A-L](#) [ABM3H-](#)
[AT-T0](#) [EMS-A-C0](#) [EMSK3-1-3-0](#) [10079](#) [10030](#) [151-10930](#) [151-10920](#) [3590](#) [151-28320](#) [151-28349](#) [151-28530](#) [151-10914](#) [151-10904](#) [151-](#)
[10915](#) [151-10916](#) [151-10906](#) [115-06960](#)