

THIS COPY IS PROVIDED ON A RESTRICTED BASIS AND IS NOT TO BE USED IN ANY WAY DETRIMENTAL TO THE INTERESTS OF PANDUIT CORP.

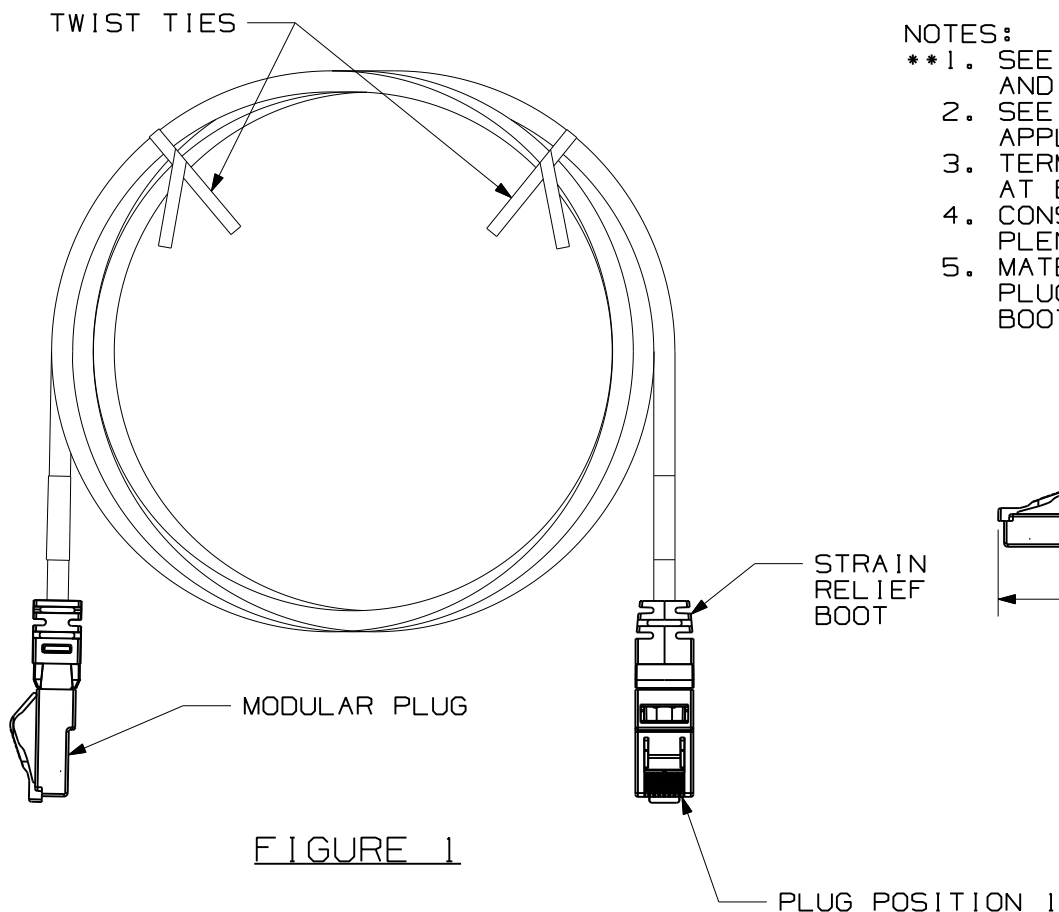


FIGURE 1

NOTES:

- \*\*1. SEE CURRENT CATALOG FOR VARIOUS APPLICATIONS AND TO INDICATE COLOR AND OR PACKAGE QUANTITY
- 2. SEE CATALOG FOR A COMPLETE LIST OF PARTS APPLICABLE FOR USE WITH THIS PART
- 3. TERMINATED WITH (8 POSITION) MODULAR PLUGS AT BOTH ENDS PER T568B
- 4. CONSTRUCTED WITH 23AWG SOLID 10GIG UTP CM, RISER, PLENUM, AND LOW SMOKE ZERO HALOGEN CABLE
- 5. MATERIALS:  
 PLUG: POLYCARBONATE  
 BOOT: CLEAR PVC

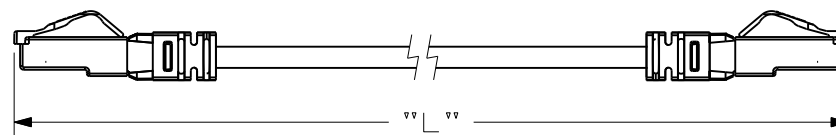


FIGURE 2

SEE SHEET 2 FOR PATCH CORD LENGTHS AND PART NUMBERS

T568B WIRING SCHEME

PLUG POSITION:	CABLE WIRE:
1	WHITE/ORANGE
2	ORANGE
3	WHITE/GREEN
4	BLUE
5	WHITE/BLUE
6	GREEN
7	WHITE/BROWN
8	BROWN

MODEL FILENAME M02678BD_10GZONECORD_PLUG_ASSY_00		SIZE A
DRAWING FILENAME M02678BH_DC08_00B		
TX6 10GIG CATEGORY 6A UTP PLUG-TO-PLUG ZONE CORD CUSTOMER DRAWING		
<p>PANDUIT<sup>TM</sup> CORP. TINLEY PARK, ILL 60477</p>	I.I. NUMBER	
	PRODUCT SPEC/ PKG SPEC	
<p>THIRD ANGLE PROJECTION</p>	<p>ALL DIMENSIONS ARE GIVEN IN INCHES, UNLESS OTHERWISE SPECIFIED.</p> <p>DIMENSIONAL TOLERANCES ARE:                  (.X) ±.06(1.5) (.XXX) ±.010(.3)                  (.XX) ± ANGLES ±</p>	ASSY METHOD/ TEST METHOD
	SCALE	NONE
DRAWN BY BJN	REVIEW DRAWING NUMBERS	PART NO. UAP* SERIES
DATE 5-15-07	MAT'L	DRAWING NO. 02678-08 SHEET 1 OF 2
CHK'D RJDU		

REV	DATE	BY	CHK	DESCRIPTION	ECN	R	CUST	SUP	OTH
1	6-11-07	BJN	RJDU	A. ADDED P/N UAPCBU**BL & UAPCIG**MBL	02678-08		REGA		
R	5-15-07	BJN	RJDU	RELEASED TO PRODUCTION	02678-08		REGA		

THIS COPY IS PROVIDED ON A RESTRICTED BASIS AND IS NOT TO BE USED IN ANY WAY DETRIMENTAL TO THE INTERESTS OF PANDUIT CORP.

10GIG UTP PLUG-TO-PLUG ZONE CORDS


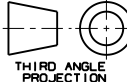
PART NUMBERS	PART NUMBERS
UAPCBU**	UAPCIG**M
UAPPBU**	UAPLWH**M
UAPRBU**	
MIN. CABLE LENGTH	MIN. CABLE LENGTH
10 FT (120")	4 METERS (158")
15 FT (180")	5 METERS (197")
20 FT (240")	6 METERS (237")
25 FT (300")	7 METERS (276")
30 FT (360")	8 METERS (315")
35 FT (420")	9 METERS (355")
40 FT (480")	10 METERS (394")
45 FT (540")	11 METERS (434")
50 FT (600")	12 METERS (473")
55 FT (660")	13 METERS (512")
60 FT (720")	14 METERS (552")
65 FT (780")	15 METERS (591")
70 FT (840")	16 METERS (630")
75 FT (900")	18 METERS (709")
80 FT (960")	20 METERS (788")
85 FT (1020")	22 METERS (867")
90 FT (1080")	24 METERS (945")
95 FT (1140")	26 METERS (1024")
100 FT (1200")	28 METERS (1103")
110 FT (1320")	30 METERS (1182")
120 FT (1440")	32 METERS (1260")
130 FT (1560")	34 METERS (1339")
140 FT (1680")	36 METERS (1418")
150 FT (1800")	38 METERS (1497")
	40 METERS (1575")
	42 METERS (1654")
	44 METERS (1733")
	46 METERS (1812")
	48 METERS (1890")
	50 METERS (1969")

CM, PLENUM, AND RISER OFFERED WITH BLUE CABLE. (FEET ONLY)  
 CM OFFERED WITH INTERNATIONAL GRAY CABLE. (METERS ONLY)  
 LSZH OFFERED WITH WHITE CABLE. (METERS ONLY)

STRAIN RELIEF BOOTS AVAILABLE IN CLEAR ONLY.

\*\*=LENGTH (SEE FIGURE 2, SHEET 1)

REV	DATE	BY	CHK	DESCRIPTION	ECN	R	CUST	SUP	OTH
1	6-11-07	BJN	RJDU	SEE SHEET 1 FOR REVISIONS	02678-08		REGA		

MODEL FILENAME MO2678BD_10GZONECORD_PLUG_ASSY_00		SIZE A
DRAWING FILENAME MO2678BH_DC08_00B		
TITLE TX6 10GIG CATEGORY 6A UTP PLUG-TO-PLUG ZONE CORD CUSTOMER DRAWING		
 <b>PANDUIT</b> <sup>R</sup> CORP. TINLEY PARK, IL 60477		I.I. NUMBER
 THIRD ANGLE PROJECTION		PRODUCT SPEC
ALL DIMENSIONS ARE GIVEN IN INCHES, UNLESS OTHERWISE SPECIFIED. DIMENSIONAL TOLERANCES ARE: (.X) ±.06(1.5) (.XXX) ±.010(.3) (.XX) ± ANGLES ±		WORK INSTRUCTION
DRAWN BY BJN		SCALE NONE
DATE 5-15-07		PART NO. UAP* SERIES
CHK'D RJDU		DRAWING NO. 02678-08 SHEET 2 OF 2

## X-ON Electronics

Largest Supplier of Electrical and Electronic Components

*Click to view similar products for [Wire Ducting](#) category:*

*Click to view products by [Panduit](#) manufacturer:*

Other Similar products are found below :

[66200A-10](#) [CVED32VEPG](#) [CVED40VEPG](#) [F512D5-5F140Y](#) [F512D5-5F200Y](#) [F512D5-5F26Y](#) [F512D5-5F30Y](#) [F512D5-5F33Y](#) [F512D5-5F34Y](#) [F512D5-5F45Y](#) [F512D5-5F50Y](#) [F512D5-5F54Y](#) [F512D5-5F66Y](#) [F512D5-5F70Y](#) [F512D5-5F75Y](#) [F512D5-5F90Y](#) [F612D5-5F100Y](#) [F612D5-5F130Y](#) [F612D5-5F50Y](#) [F612D5-5F56Y](#) [F612D5-5F58Y](#) [F6L12D5-5F46](#) [F912D5-5F11Y](#) [F912D5-5F170Y](#) [F912D5-5F175Y](#) [F912D5-5F230Y](#) [F912D5-5F300Y](#) [F912D5-5F55Y](#) [F912D5-5F56Y](#) [F912D5-5F63Y](#) [F912D5-5F6Y](#) [F912D5-5F75Y](#) [F912D5-5F85Y](#) [F912D5-5F86Y](#) [F912D5-5F88Y](#) [F912D5-5F96Y](#) [FAP0047WBLMTP](#) [FAP12WBRDRDDLZ](#) [FAP12WDYLYLDLZ](#) [FAP12WEORORDLZ](#) [FAP6WEORORDLZ](#) [FAP6WFDBDBDLZ](#) [FAP8WEORORDLZ](#) [FCE2UWCL](#) [800A-LB](#) [802A-ECSP](#) [802I-ICSP](#) [FJQADH](#) [FJQFXT](#) [PED10](#)