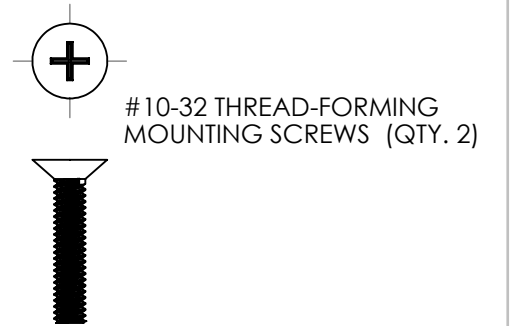
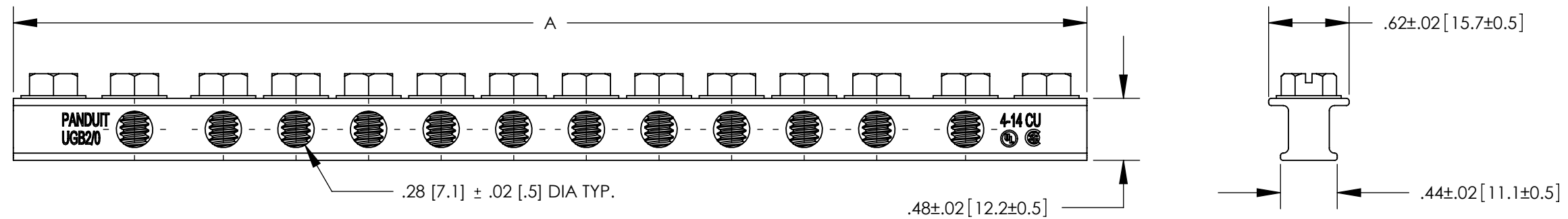
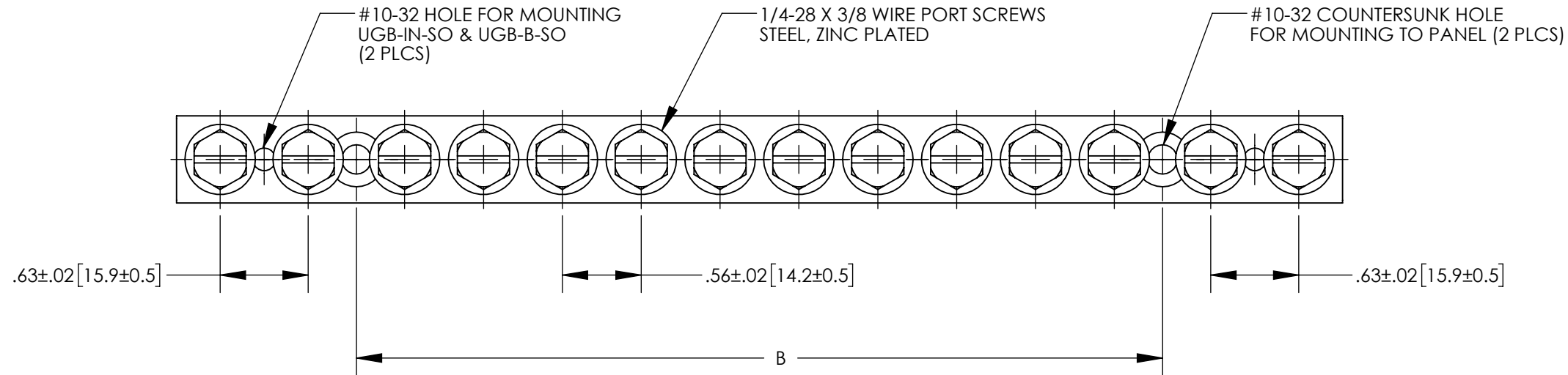
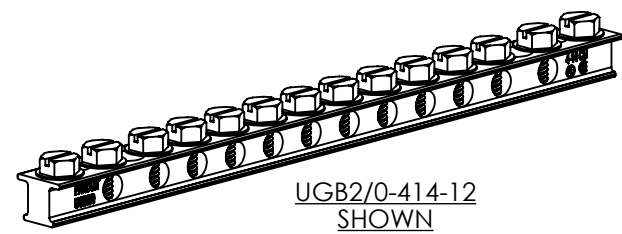


THIS COPY IS PROVIDED ON A RESTRICTED BASIS AND IS NOT TO BE USED IN ANY WAY DETRIMENTAL TO THE INTERESTS OF PANDUIT CORP.



NOTES

1. MATERIAL: ELECTROLYTIC COPPER, TIN PLATED
2. DIMENSIONS ARE IN IN [mm]
3. UL LISTED 467 FOR GROUNDING AND BONDING EQUIPMENT
4. CSA CERTIFIED 22.2 NO. 41
5. CAN BE MOUNTED DIRECTLY TO PANEL OR MOUNTED USING UGB-IN-SO, OR USING UGB-B-SO
6. MAXIMUM EQUIPMENT GROUNDING CONDUCTOR OF 2/0 AWG COPPER WIRE
7. ACCEPTS MOST LUGS AND TERMINALS WITH A 1/4" [6.4] STUD HOLE SIZE AND A MAX. TONGUE WIDTH OF .55" [14.0]



PANDUIT PART NUMBER	# OF PORTS	WIRE PORT WIRE RANGE	1/4-28 WIRE PORT SCREW QTY.	A ± .02 [0.5]	B ± .02 [0.5]
UGB2/0-414-4	4	14 AWG - 4 AWG	6	3.80 [96.5]	1.25 [31.7]
UGB2/0-414-6	6		8	4.92 [125.0]	2.37 [61.1]
UGB2/0-414-8	8		10	6.04 [153.4]	3.49 [88.5]
UGB2/0-414-10	10		12	7.16 [181.9]	4.61 [117.0]
UGB2/0-414-12	12		14	8.28 [210.3]	5.73 [145.4]
UGB2/0-414-14	14		16	9.40 [238.8]	6.85 [173.9]
UGB2/0-414-18	18		20	11.64 [295.7]	9.09 [230.8]

REV	DATE	BY	CHK	APR	DESCRIPTION	ECN
03	1/18	JHNU	JHNU	RGB	HEX HEAD SCREW WAS FILLISTER HEAD SCREW	10J017CB-JC
02	4/17	JHNU	BKR	RGB	ADDED UGB2/0-414-4, UGB2/0-414-8, UGB2/0-414-10 UGB2/0-414-14	10J017CB-JC
01	6/16	DAOS	JHNU	RGB	FILLISTER HEAD SCREW WAS HEX HEAD SCREW	10J017CB-JC
00	1/12	JHNU	SRBI	RGB	DRAWING RELEASED	10J017CB-JC

TITLE <b>UNIVERSAL GROUND BARS</b> CUSTOMER DRAWING			
ITEM REVISION NAME 10J017CB-JC/03		DATASET FILE NAME 10J017CB-JC/03.SLDDRW	
UNLESS OTHERWISE SPECIFIED, DIMENSIONAL TOLERANCES ARE: IN [mm] .X ± .1 [2.5]      .XXX ± .005 [.13] .XX ± .01 [.25]    ANGLES ± 5°			
DRAWN BY JHNU		DATE 1/12	CHK RGB
SCALE NONE		THIRD ANGLE PROJECTION	
SHEET 1 OF 1			SIZE B

PANDUIT

SEE NOTES

DRAWING NUMBER 10J017CB-JC

## X-ON Electronics

Largest Supplier of Electrical and Electronic Components

*Click to view similar products for [Fixed Terminal Blocks](#) category:*

*Click to view products by [Panduit](#) manufacturer:*

Other Similar products are found below :

[MBE-1512](#) [MBE-1520](#) [MBE-154](#) [MBE-156](#) [MBES-156](#) [MH-2512](#) [MHE-132](#) [MHE-163](#) [MI-254 \(35\)](#) [MI-272](#) [MPT-275](#) [ELM10110G](#)  
[BA311TU](#) [BA411SU](#) [MV-254-D](#) [MV-255](#) [MV-493](#) [MVE-252](#) [MVE-253](#) [MVEB-153](#) [1705142](#) [1712417](#) [1713088](#) [1760594](#) [1-796689-8](#)  
[1800114](#) [20020314-C121B01LF](#) [KP03215000J0G](#) [KP04215000J0G](#) [S451](#) [29.007](#) [29.116](#) [30.103](#) [30.503](#) [30.608](#) [30.756](#) [30.853](#) [9872-0-](#)  
[00-15-00-00-33-0](#) [996750](#) [1710052](#) [1777707](#) [1-796692-3](#) [20020316-G071B01LF](#) [20020327-C061B01LF](#) [29590](#) [30.710](#) [30.754](#) [30.757](#)  
[32.058](#) [37.206](#)