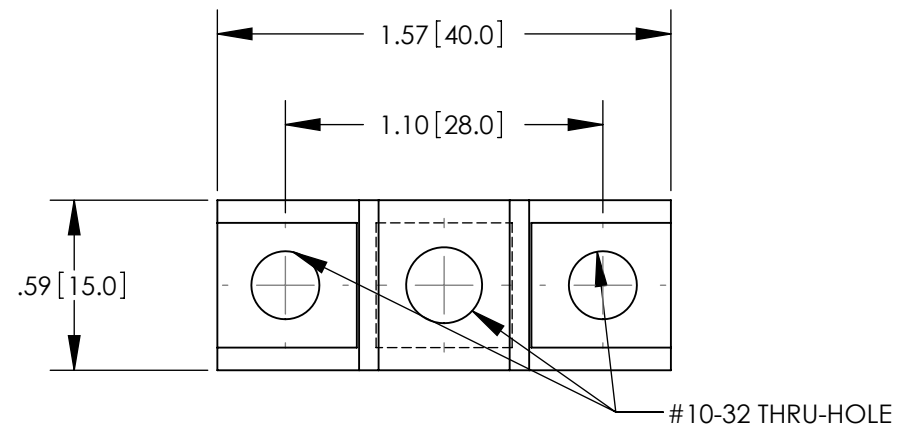
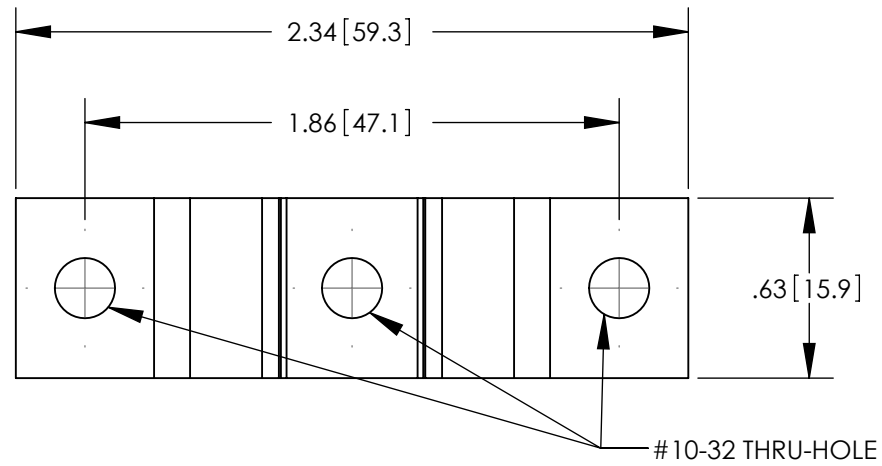
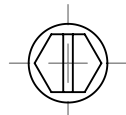
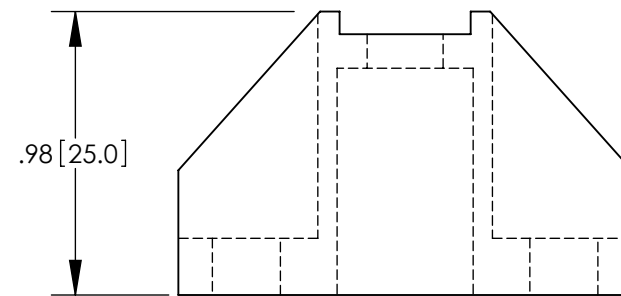
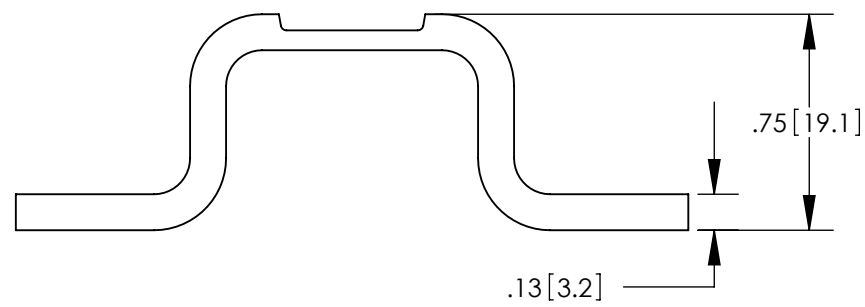


THIS COPY IS PROVIDED ON A RESTRICTED BASIS AND IS NOT TO BE USED IN ANY WAY DETRIMENTAL TO THE INTERESTS OF PANDUIT CORP.

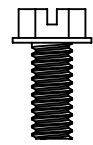


NOTES:

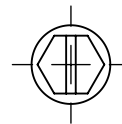
- MATERIAL:  
 UGB-B-SO: CDA-110 ELECTROLYTIC COPPER, TIN PLATED  
 UGB-IN-SO: DMC GRADE DR17 RED HARD PLASTIC  
 UL 94 V-0 (HALOGEN FREE)  
 600V OF INSULATION
- DESIGNED FOR USE WITH PANDUIT UNIVERSAL GROUND BAR SYSTEM, UGB2/0 SERIES
- DIMENSIONS IN BRACKETS ARE MILLIMETERS



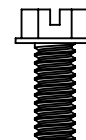
#10-32 THREAD FORMING SCREWS  
(QTY. 6)



UGB-B-SO



#10-32 THREAD FORMING SCREWS  
(QTY. 6)



UGB-IN-SO

										<b>PANDUIT CORP. TINLEY PARK, ILLINOIS</b>			
										UNIVERSAL GROUND BAR BONDING & ISOLATION STAND-OFFS (UGB-B-SO, UGB-IN-SO) CUSTOMER DRAWING			
										UNLESS OTHERWISE SPECIFIED DIMENSIONAL TOLERANCES ARE: (.X) ±                    (.XXX) ± (.XX) ± .02 [0.5]    ANGLES ±		UNLESS OTHERWISE SPECIFIED, ALL DIMENSIONS ARE GIVEN IN INCHES, THIRD ANGLE PROJECTION	
										DRAWN BY JHNU		SCALE NONE	
										DATE 1/12		DRAWING NO / CAD FILE 10J017CC-JC	
										CHK'D SRBI		DWG B SIZE	
00	1/12	JHNU	SRBI	RELEASED TO PRODUCTION			10J017CC-JC	RGB	RGB				
REV	DATE	BY	CHK	DESCRIPTION			ECN	-R	SUP	CHK'D	SRBI		

## X-ON Electronics

Largest Supplier of Electrical and Electronic Components

*Click to view similar products for [DIN Rail Terminal Blocks](#) category:*

*Click to view products by [Panduit](#) manufacturer:*

Other Similar products are found below :

[00110420202](#) [8WA1011-1BH23](#) [8WA1011-1EF20](#) [91.010](#) [9102100000](#) [91.040](#) [9123140000](#) [9123140001](#) [RBO 5-T-B-HEX](#) [1333564](#) [DP25-GY-ND](#) [1431306](#) [1433306](#) [90.070](#) [91.020](#) [912314](#) [260-301\\_NR](#) [2757571](#) [280-331](#) [280-560](#) [280-564](#) [281-611/281-542](#) [281-673/281-411](#) [281-994](#) [283-317](#) [283-607](#) [284-691](#) [2909798](#) [264-724](#) [264-726](#) [280-530](#) [280-555](#) [280-619](#) [281-610](#) [281-622/281-417](#) [284-317](#) [284-601](#) [2907033](#) [3048496](#) [5542152](#) [35956](#) [USK 10](#) [102510](#) [1025100000](#) [5520682](#) [5607102](#) [EMH 25-ZE30](#) [591620-2](#) [UM 45-SEFE M.NUT BK 1-591651-1](#)