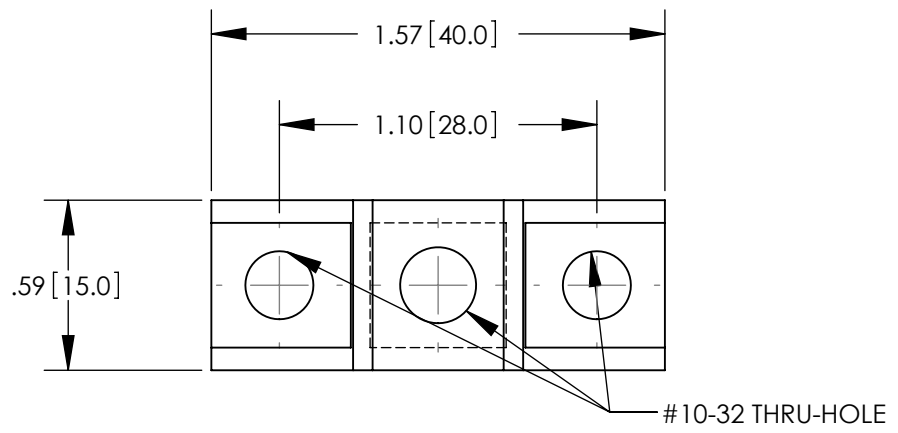
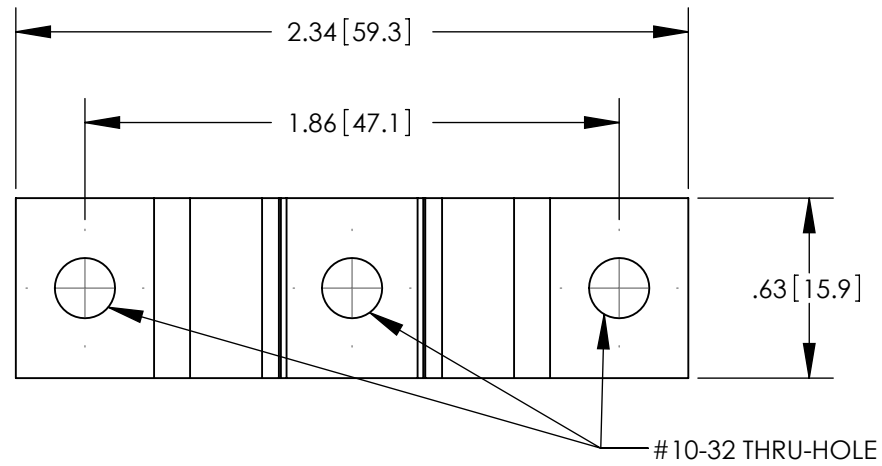
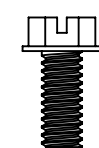
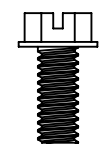
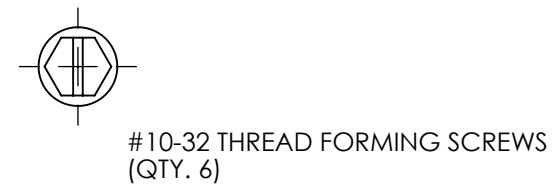
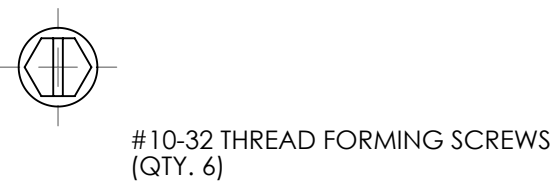
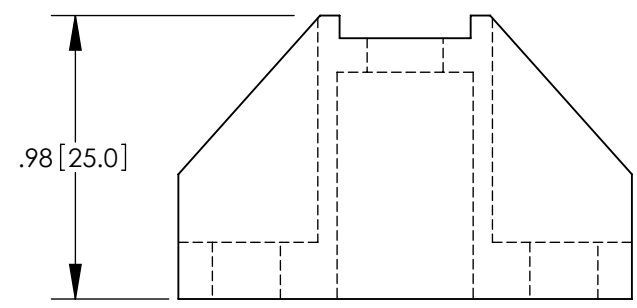
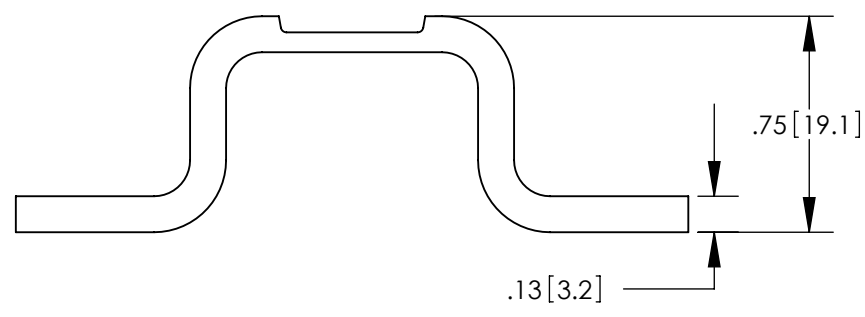


THIS COPY IS PROVIDED ON A RESTRICTED BASIS AND IS NOT TO BE USED IN ANY WAY DETRIMENTAL TO THE INTERESTS OF PANDUIT CORP.



NOTES:

- MATERIAL:
 UGB-B-SO: CDA-110 ELECTROLYTIC COPPER, TIN PLATED
 UGB-IN-SO: DMC GRADE DR17 RED HARD PLASTIC
 UL 94 V-0 (HALOGEN FREE)
 600V OF INSULATION
- DESIGNED FOR USE WITH PANDUIT UNIVERSAL GROUND BAR SYSTEM, UGB2/0 SERIES
- DIMENSIONS IN BRACKETS ARE MILLIMETERS



UGB-B-SO

UGB-IN-SO

| | | | | | | | | | | | | | | | | | |
|-----|------|------|------|------------------------|--|--|-------------|-----|-----|--|---------------|--------|--|--|--|------------------|--|
| | | | | | | | | | | PANDUIT CORP. TINLEY PARK, ILLINOIS | | | | | | | |
| | | | | | | | | | | UNIVERSAL GROUND BAR BONDING & ISOLATION STAND-OFFS (UGB-B-SO, UGB-IN-SO) CUSTOMER DRAWING | | | | | | | |
| | | | | | | | | | | UNLESS OTHERWISE SPECIFIED DIMENSIONAL TOLERANCES ARE: (.X) ± (.XXX) ± (.XX) ± .02 [0.5] ANGLES ± | | | | UNLESS OTHERWISE SPECIFIED, ALL DIMENSIONS ARE GIVEN IN INCHES, THIRD ANGLE PROJECTION | | | |
| | | | | | | | | | | DRAWN BY JHNU | | MAT'L: | | SCALE NONE | | | |
| | | | | | | | | | | DATE 1/12 | | | | DRAWING NO / CAD FILE 10J017CC-JC | | DWG B SIZE | |
| 00 | 1/12 | JHNU | SRBI | RELEASED TO PRODUCTION | | | 10J017CC-JC | RGB | RGB | | CHK'D SRBI | | | | | | |
| REV | DATE | BY | CHK | DESCRIPTION | | | ECN | -R | SUP | | | | | | | | |

X-ON Electronics

Largest Supplier of Electrical and Electronic Components

Click to view similar products for [Fixed Terminal Blocks](#) category:

Click to view products by [Panduit](#) manufacturer:

Other Similar products are found below :

[MBE-1512](#) [MBE-154](#) [MBE-156](#) [MBES-153](#) [MBES-156](#) [MH-2512](#) [MHE-132](#) [MHE-163](#) [MI-254 \(35\)](#) [MI-272](#) [880507](#) [MPT-275](#)
[15602-04-08-21](#) [BA311TU](#) [BA411SU](#) [MV-152](#) [MV-252-D](#) [MV-253/NCNOC](#) [MV-254-D](#) [MV-255](#) [MV-462](#) [MV-493](#) [MVE-252](#) [MVE-253](#)
[MVE-273](#) [MVEB-153](#) [1700096](#) [1705142](#) [1712417](#) [1713020](#) [1713088](#) [1745195](#) [1760594](#) [1776118-2](#) [1790852](#) [1-796689-8](#) [1-796692-6](#)
[1800001](#) [1800114](#) [1995279](#) [20020314-C121B01LF](#) [CB2-12](#) [KP03215000J0G](#) [KP04215000J0G](#) [S451](#) [282802-2](#) [29.007](#) [29.116](#) [30.103](#)
[30.106](#)