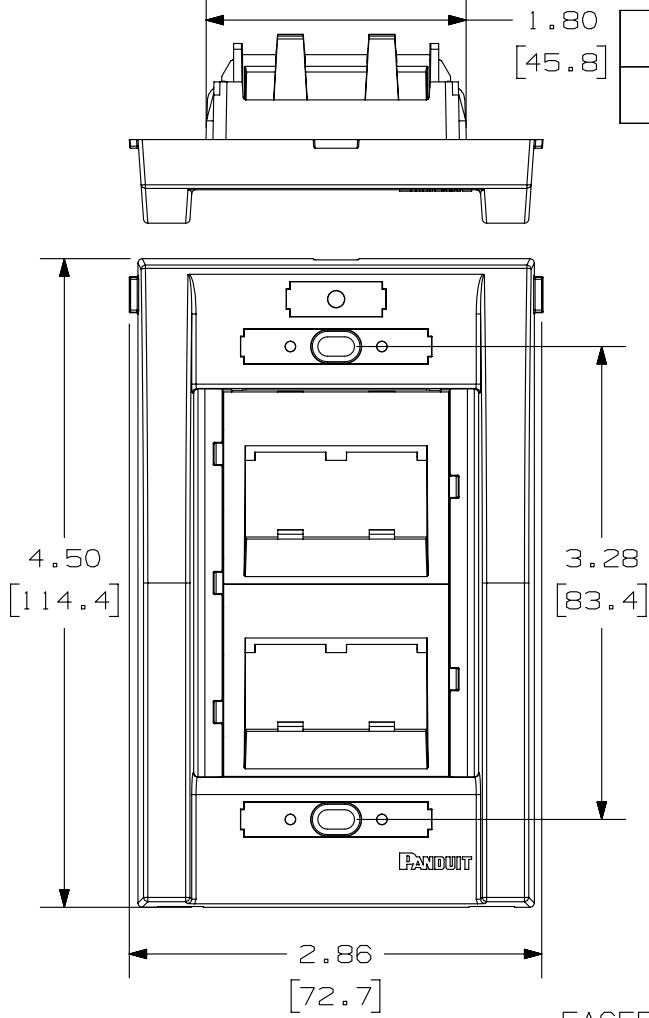
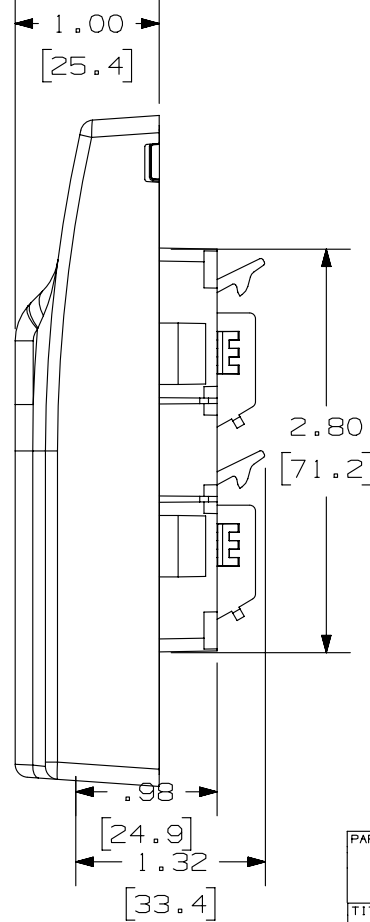


THIS COPY IS PROVIDED ON A RESTRICTED BASIS AND IS NOT TO BE USED IN ANY WAY DETRIMENTAL TO THE INTERESTS OF PANDUIT CORP.

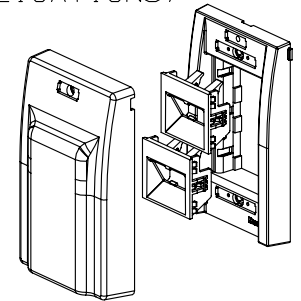


PANDUIT P/N	WEIGHT
UICFPRTR4**	1.55 LB/10 PCS (704.0 g/10 PCS)



NOTES:

- SEE CURRENT CATALOG FOR ADDITIONAL PART NUMBER SUFFIXES TO INDICATE COLOR AND OR PACKAGE QUANTITY.
- SEE CATALOG FOR COMPLETE LIST OF PARTS APPLICABLE FOR USE WITH THIS PART.
- DIMENSIONS IN [] ARE IN METRIC.
- PART INCLUDES:
 - 1- FACEPLATE
 - 1- TAMPER RESISTANT COVER
 - 1- CLEAR SCREW COVER
 - 1- COLOR COORDINATED SCREW COVER
 - 2- CLEAR LABEL COVER
 - 2- MOUNTING SCREW
 - 2- 30° SLOPED RECESSED 1/2 INSERT (CHSRE2**)
 - 1- TAMPER RESISTANT SCREW FOR COVER
 - 1- PHILLIPS HEAD SCREW FOR COVER
- MOUNTING RECOMMENDATIONS:
 - MOUNT TO MWBA1 (OR EQUIVALENT) SINGLE GANG WALL BOARD ADAPTER
 - IF IN-WALL BOX IS USED, DEPTH MUST BE MIN. OF 2.125(53.98) (FOR COPPER APPLICATIONS)



FACEPLATE

PART NUMBER		UICFPRTR4**						
TITLE								
MINI-COM 4 POSITION ULTIMATE ID RECESSED FACEPLATE KIT WITH TAMPER RESISTANT COVER CUSTOMER DRAWING								
ITEM REVISION NAME		M01340AF/04						
DATASET FILE NAME		M01340AF_DC/04B						
UNLESS OTHERWISE SPECIFIED, DIMENSIONAL TOLERANCES ARE: IN [mm]		MATERIAL:						
.x ± .xxx ± .010 [.3]		ABS						
.xx ± .03 [.8]		DRAWING NUMBER:						
THIRD ANGLE PROJECTION		01340-07						
DRAWN BY	DATE	CHK	SCALE					
JSP	7-24-02	MJD	NONE					
REV	DATE	BY	DESCRIPTION					
1	5/22/14	JSP	REFR MMR A. REVISED DRAWING TITLE BLOCK.					
R	7-24-02	JSP	MJD MJD RELEASED TO PRODUCTION					
REV	DATE	BY	CHK	APR	DESCRIPTION	ECN	SHT 1 OF 1	SIZE
							A	

D10100DA/14

X-ON Electronics

Largest Supplier of Electrical and Electronic Components

Click to view similar products for [Wire Ducting & Raceways](#) category:

Click to view products by [Panduit](#) manufacturer:

Other Similar products are found below :

[FG5EI25-A](#) [PED12](#) [PED8](#) [PEVEP](#) [FXOE3-10M3](#) [FZD3-3M2](#) [FZLE10-10M2](#) [FZOE10-10M1](#) [FZOLE10-10M2](#) [FZPE3-10M2](#) [923223-000](#)
[PRAF6WH-X](#) [A0405538](#) [1301150342](#) [1301230083](#) [1301150343](#) [1301230086](#) [1301240054](#) [AX101472](#) [AX102652](#) [AX102653](#) [AX102737](#)
[S62DS](#) [S65DS](#) [S75DSH](#) [A0405536](#) [A0405537](#) [A0649869](#) [FXOD3-3M1](#) [FXOE10-10M2](#) [FZLD3-3M2](#) [FZOE3-10M1](#) [FZOE3-10M2](#)
[FZOLE3-10M2](#) [FZOPE10-10M1](#) [FZPD3-3M2](#) [PZRFE4](#) [PZWIFIEN](#) [PZWIFIENA](#) [CNPSNH](#) [CNSPC](#) [5400ES](#) [WDLT-1216-72](#) [655287-000](#)
[S75DS](#) [1301180028](#) [801A-LSP](#) [206461-000](#) [853425-000](#) [3066](#)