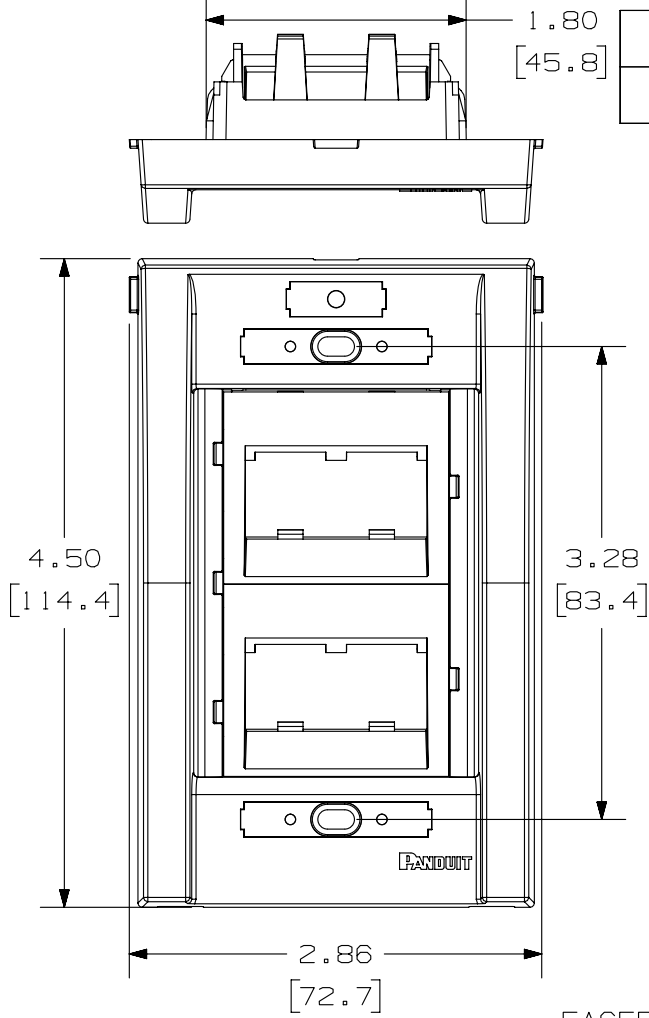
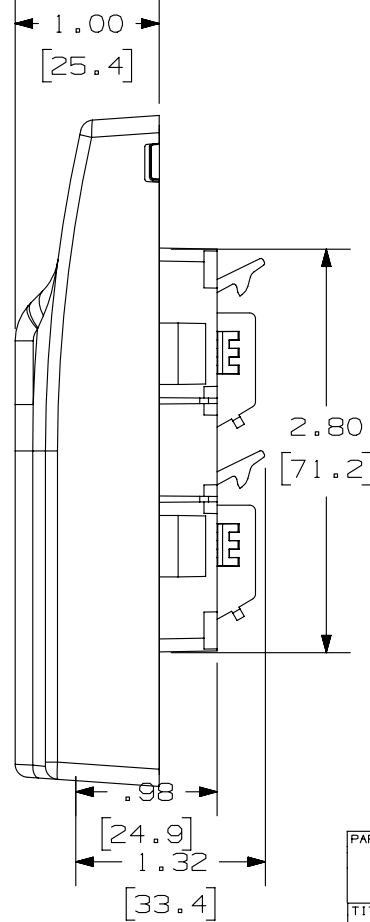


THIS COPY IS PROVIDED ON A RESTRICTED BASIS AND IS NOT TO BE USED IN ANY WAY DETRIMENTAL TO THE INTERESTS OF PANDUIT CORP.

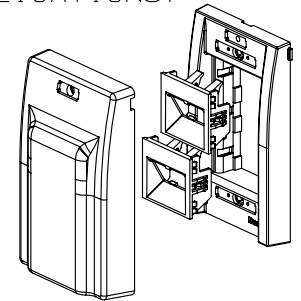


PANDUIT P/N	WEIGHT
UICFPRTR4**	1.55 LB/10 PCS (704.0 g/10 PCS)



NOTES:

- SEE CURRENT CATALOG FOR ADDITIONAL PART NUMBER SUFFIXES TO INDICATE COLOR AND OR PACKAGE QUANTITY.
- SEE CATALOG FOR COMPLETE LIST OF PARTS APPLICABLE FOR USE WITH THIS PART.
- DIMENSIONS IN [ ] ARE IN METRIC.
- PART INCLUDES:
  - 1- FACEPLATE
  - 1- TAMPER RESISTANT COVER
  - 1- CLEAR SCREW COVER
  - 1- COLOR COORDINATED SCREW COVER
  - 2- CLEAR LABEL COVER
  - 2- MOUNTING SCREW
  - 2- 30° SLOPED RECESSED 1/2 INSERT (CHSRE2\*\*)
  - 1- TAMPER RESISTANT SCREW FOR COVER
  - 1- PHILLIPS HEAD SCREW FOR COVER
- MOUNTING RECOMMENDATIONS:
  - MOUNT TO MWBA1 (OR EQUIVALENT) SINGLE GANG WALL BOARD ADAPTER
  - IF IN-WALL BOX IS USED, DEPTH MUST BE MIN. OF 2.125(53.98) (FOR COPPER APPLICATIONS)



FACEPLATE

PART NUMBER		UICFPRTR4**	
TITLE			
MINI-COM 4 POSITION ULTIMATE ID RECESSED		FACEPLATE KIT WITH TAMPER RESISTANT COVER	
CUSTOMER DRAWING			
ITEM REVISION NAME		M01340AF/04	
DATASET FILE NAME		M01340AF_DC/04B	
UNLESS OTHERWISE SPECIFIED, DIMENSIONAL TOLERANCES ARE: IN [mm]		MATERIAL:	
.x ± .xxx ± .010 [ .3 ]		ABS	
.xx ± .03 [ .8 ]		DRAWING NUMBER:	
ANGLES ±		01340-07	
THIRD ANGLE PROJECTION		SHT 1 OF 1	
DRAWN BY	DATE	CHK	SCALE
JSP	7-24-02	MJD	NONE
REV	DATE	BY	CHK
1	5/22/14	JSP	REFR
R	7-24-02	JSP	MJD
APR		MJD	
DESCRIPTION		ECN	
A. REVISED DRAWING TITLE BLOCK.		01340-07	
RELEASED TO PRODUCTION		01340-07	

D10100DA/14

## X-ON Electronics

Largest Supplier of Electrical and Electronic Components

*Click to view similar products for [Wire Ducting](#) category:*

*Click to view products by [Panduit](#) manufacturer:*

Other Similar products are found below :

[66200A-10](#) [CVED32VEPG](#) [CVED40VEPG](#) [F512D5-5F140Y](#) [F512D5-5F200Y](#) [F512D5-5F26Y](#) [F512D5-5F30Y](#) [F512D5-5F33Y](#) [F512D5-5F34Y](#) [F512D5-5F45Y](#) [F512D5-5F50Y](#) [F512D5-5F54Y](#) [F512D5-5F66Y](#) [F512D5-5F70Y](#) [F512D5-5F75Y](#) [F512D5-5F90Y](#) [F612D5-5F100Y](#) [F612D5-5F130Y](#) [F612D5-5F50Y](#) [F612D5-5F56Y](#) [F612D5-5F58Y](#) [F6L12D5-5F46](#) [F912D5-5F11Y](#) [F912D5-5F170Y](#) [F912D5-5F175Y](#) [F912D5-5F230Y](#) [F912D5-5F300Y](#) [F912D5-5F55Y](#) [F912D5-5F56Y](#) [F912D5-5F63Y](#) [F912D5-5F6Y](#) [F912D5-5F75Y](#) [F912D5-5F85Y](#) [F912D5-5F86Y](#) [F912D5-5F88Y](#) [F912D5-5F96Y](#) [FAP0047WBLMTP](#) [FAP12WBRDRDDLZ](#) [FAP12WDYLYLDLZ](#) [FAP12WEORORDLZ](#) [FAP6WEORORDLZ](#) [FAP6WFDBDBDLZ](#) [FAP8WEORORDLZ](#) [FCE2UWCL](#) [800A-LB](#) [802A-ECSP](#) [802I-ICSP](#) [FJQADH](#) [FJQFXT](#) [PED10](#)