

THIS COPY IS PROVIDED ON A RESTRICTED BASIS AND IS NOT TO BE USED IN ANY WAY DETRIMENTAL TO THE INTERESTS OF PANDUIT CORP.

2

1

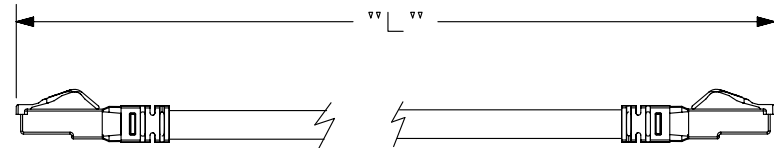
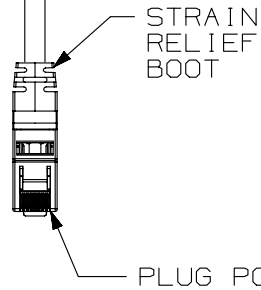
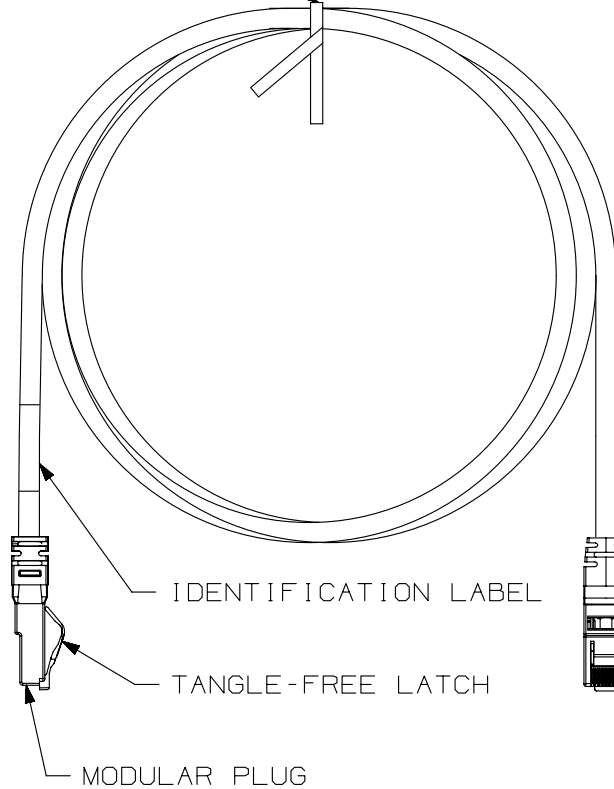
TWIST TIE

NOTES:

1. CAT6A (10GIG) UTP PATCH CORDS
2. 100% FACTORY PERFORMANCE TESTED
3. EXCEEDS ANSI/TIA 568-C.2 CAT6A AND ISO11801 CLASS E_a REQUIREMENTS
4. C(UL)US LISTED, FILE NUMBER E129886
5. SEE CATALOG FOR A COMPLETE LIST OF PARTS APPLICABLE FOR USE WITH THIS PART.
6. NOMINAL CABLE JACKET DIAMETER IS .275in. (7.0mm)

T568B WIRING SCHEME

PLUG POSITION:	CABLE WIRE:
1	WHITE/ORANGE
2	ORANGE
3	WHITE/GREEN
4	BLUE
5	WHITE/BLUE
6	GREEN
7	WHITE/BROWN
8	BROWN



SEE SHEET 2 FOR PATCH CORD LENGTHS AND PART NUMBERS

PART NUMBER		UTP6A**	
TITLE			
TX6A 10GIG UTP PATCH CORDS (CMR)			
CUSTOMER DRAWING			
ITEM REVISION NAME		M02998BE/00	
DATASET FILE NAME		M02998BE_DC07/00D	
UNLESS OTHERWISE SPECIFIED, DIMENSIONAL TOLERANCES ARE: IN (mm)		MATERIAL:	
.x ± .xxx ± .010 (.3)			
.xx ± .03 (.8)		ANGLES ±	
DRAWING NUMBER:		02998-07	
DRAWN BY		SCALE	
BJN		NONE	
DATE		SHT 1 OF 3	
3-17-09		A	
CHK		SIZE	
MKY		A	

REV	DATE	BY	CHK	APR	DESCRIPTION	ECN
3	4-9-14	BJN	JSP	EJH	REVISED & REDRAWN PREVIOUS REVISIONS REMVD FOR CLARITY	02998-07

2

1

D10100DA/14

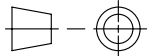
THIS COPY IS PROVIDED ON A RESTRICTED BASIS AND IS NOT TO BE USED IN ANY WAY DETRIMENTAL TO THE INTERESTS OF PANDUIT CORP.

TX6A 10GIG UTP PATCH CORDS (CM)

** = COLOR OF CABLE
 BLANK = OFF-WHITE
 BU = BLUE
 RD = RED
 YL = YELLOW
 BL = BLACK
 OR = ORANGE
 GR = GREEN
 VL = VIOLET
 GY = GRAY

NOTE - STRAIN RELIEF BOOTS AVAILABLE
 IN CLEAR ONLY

PATCHCORD PART NUMBER	CUT LENGTH (BEFORE STRIPPING)	MINIMUM ("L") LENGTH	WEIGHT (APPROX.)
UTP6A3**	40"	3 FT.(36") .91M	.217 LB (99g)
UTP6A4**	52"	4 FT.(48") 1.22M	.255 LB (116g)
UTP6A5**	64"	5 FT.(60") 1.52M	.293 LB (133g)
UTP6A6**	76"	6 FT.(72") 1.83M	.331 LB (150g)
UTP6A7**	88"	7 FT.(84") 2.13M	.369 LB (168g)
UTP6A8**	100"	8 FT.(96") 2.44M	.407 LB (185g)
UTP6A9**	112"	9 FT.(108") 2.74M	.446 LB (202g)
UTP6A10**	124"	10 FT.(120") 3.05M	.484 LB (219g)
UTP6A11**	136"	11 FT.(132") 3.35M	.522 LB (237g)
UTP6A12**	148"	12 FT.(144") 3.66M	.560 LB (254g)
UTP6A13**	160"	13 FT.(156") 3.96M	.598 LB (271g)
UTP6A14**	172"	14 FT.(168") 4.27M	.636 LB (288g)
UTP6A15**	184"	15 FT.(180") 4.57M	.674 LB (306g)
UTP6A16**	196"	16 FT.(192") 4.88M	.712 LB (323g)
UTP6A17**	208"	17 FT.(204") 5.18M	.750 LB (340g)
UTP6A18**	220"	18 FT.(216") 5.49M	.788 LB (357g)
UTP6A19**	232"	19 FT.(228") 5.79M	.826 LB (375g)
UTP6A20**	244"	20 FT.(240") 6.10M	.864 LB (392g)
UTP6A25**	304"	25 FT.(300") 7.62M	1.054 LB (478g)
UTP6A30**	364"	30 FT.(360") 9.14M	1.244 LB (564g)
UTP6A35**	424"	35 FT.(420") 10.67	1.434 LB (651g)
UTP6A40**	484"	40 FT.(480") 12.19M	1.625 LB (737g)
UTP6A45**	544"	45 FT.(540") 13.72M	1.815 LB (823g)
UTP6A50**	604"	50 FT.(600") 15.24M	2.005 LB (909g)
UTP6A1M**	43"	1 M.(39.4") 3.28FT.	.228 LB (103g)
UTP6A1.5M**	63"	1.5 M.(59.1") 4.92FT.	.290 LB (132g)
UTP6A2M**	83"	2 M.(78.8") 6.56FT.	.353 LB (160g)
UTP6A3M**	122"	3 M.(118.2") 9.84FT.	.478 LB (217g)
UTP6A4M**	162"	4 M.(157.7") 13.12FT.	.602 LB (273g)
UTP6A5M**	201"	5 M.(196.9") 16.40FT.	.727 LB (330g)
UTP6A6M**	240"	6 M.(236.4") 19.69FT.	.852 LB (386g)
UTP6A7M**	280"	7 M.(275.8") 22.97FT.	.977 LB (443g)
UTP6A10M**	398"	10 M.(393.7") 32.81FT.	1.351 LB (613g)
UTP6A15M**	595"	15 M.(590.6") 49.21FT.	1.975 LB (896g)
UTP6A20M**	791"	20 M.(787.4") 65.62FT.	2.599 LB (117.9g)
UTP6A25M**	988"	25 M.(984.3") 82.02FT.	3.223 LB (146.2g)
UTP6A30M**	1185"	30 M.(1181.1") 98.43FT.	3.847 LB (174.5g)

PART NUMBER		UTP6A**	
TITLE		TX6A 10GIG UTP PATCH CORDS (CMR)	
CUSTOMER DRAWING			
ITEM REVISION NAME		M02998BE/00	PANDUIT
DATASET FILE NAME		M02998BE_DC07/00D	
UNLESS OTHERWISE SPECIFIED, DIMENSIONAL TOLERANCES ARE: IN [mm]		MATERIAL:	
.x ± .xxx ± .010 [.3]		DRAWING NUMBER:	
.xx ± .03 [.8] ANGLES ±		02998-07	
		THIRD ANGLE PROJECTION	
DRAWN BY	DATE	CHK	SCALE
BJN	3-17-09	MKY	NONE
REV	DATE	BY	CHK
APR			
DESCRIPTION		ECN	SHT 2 OF 3
			A

3	4-9-14	BJN	JSP	EJH	SEE SHEET 1 FOR REVISION HISTORY	02998-07
REV	DATE	BY	CHK	APR	DESCRIPTION	ECN

D10100DA/14

X-ON Electronics

Largest Supplier of Electrical and Electronic Components

Click to view similar products for [Ethernet Cables / Networking Cables](#) category:

Click to view products by [Panduit](#) manufacturer:

Other Similar products are found below :

[73-6670-7](#) [73-6680-15](#) [73-7797-25](#) [MCJB2-10P6Q7-120](#) [84909-0204](#) [1200700174](#) [1200860368](#) [E16A06002M030](#) [E200102-009-S1](#)
[AX105346-EW](#) [MT14-187L](#) [17-103530](#) [ERWPAB3002M005](#) [190-038045-01](#) [NK5EPC18RDY](#) [NK5EPC18VLY](#) [NK5EPC18YLY](#)
[NK5EPC1GRY](#) [NK5EPC4Y](#) [NK5EPC6YLY](#) [NK5EPC8BLY](#) [NK5EPC9YLY](#) [1969343-6](#) [C501100010](#) [C501106002](#) [C501106007](#)
[C501106015](#) [C501106025](#) [C601102010](#) [C601104010](#) [C601106007](#) [C601106015](#) [2142758-2](#) [2168427-2](#) [CAT1106007](#) [21949-1](#) [2J1866A](#)
[RJF SFTP 5E 0500](#) [AX100351](#) [MN14CEC/ST](#) [C501100015](#) [C501106004](#) [C501106010](#) [C5F1108007](#) [C601104004](#) [C601106004](#)
[CA21106004](#) [CA21106010](#) [CA21106015](#) [CA21109007](#)