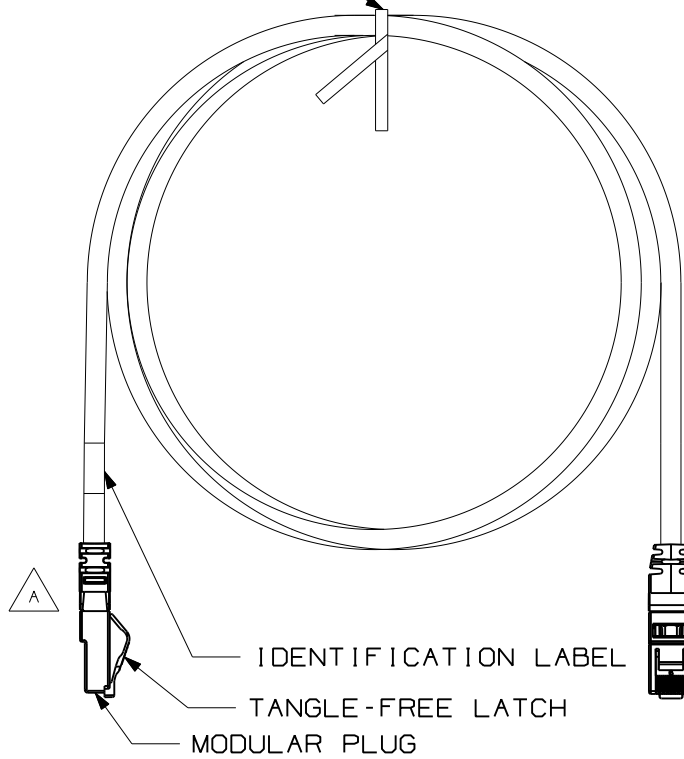


THIS COPY IS PROVIDED ON A RESTRICTED BASIS AND IS NOT TO BE USED IN ANY WAY DETRIMENTAL TO THE INTERESTS OF PANDUIT CORP.

TWIST TIE

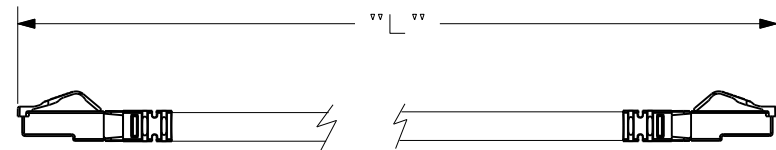


T568B WIRING SCHEME


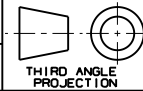
PLUG POSITION:	CABLE WIRE:
1	WHITE/ORANGE
2	ORANGE
3	WHITE/GREEN
4	BLUE
5	WHITE/BLUE
6	GREEN
7	WHITE/BROWN
8	BROWN

NOTES:

1. SEE CURRENT CATALOG FOR VARIOUS APPLICATIONS AND TO INDICATE COLOR AND OR PACKAGE QUANTITY.
2. SEE CATALOG FOR A COMPLETE LIST OF PARTS APPLICABLE FOR USE WITH THIS PART.
3. NOMINAL CABLE JACKET DIAMETER IS .240in. (6.096mm)
4. CONSTRUCTED WITH 26AWG STRANDED CAT 6A 10GIG CM RATED CABLE
5. TERMINATED WITH (8 POSITION) MODULAR PLUGS AT BOTH ENDS PER T568B.
6. MATERIALS:  
PLUG: POLYCARBONATE  
BOOT: CLEAR PVC



SEE SHEET 2 FOR PATCH CORD LENGTHS AND PART NUMBERS

MODEL FILENAME										SIZE	
DRAWING FILENAME										A	
09M129BE_DC02/00B											
TITLE											
TX6A-SD 10GIG UTP PATCH CORDS (CM)											
CUSTOMER DRAWING											
 <b>PANDUIT</b> <sup>R</sup> CORP. TINLEY PARK, IL 60477										I.I. NUMBER	
										PRODUCT SPEC	
 THIRD ANGLE PROJECTION										WORK INSTRUCTION	
ALL DIMENSIONS ARE GIVEN IN INCHES, UNLESS OTHERWISE SPECIFIED. DIMENSIONAL TOLERANCES ARE: (.X) ± (.XXX) ± (.XX) ± ANGLES ±										SCALE	
										NONE	
DRAWN BY										REVIEW DRAWING NUMBERS	
BJN											
DATE										PART NO.	
1-18-10										UTP6ASD**	
CHK'D										DRAWING NO.	
MKY										09M129BE-02	
										SHEET 1 OF 2	

REV	DATE	BY	CHK	DESCRIPTION	ECN	R	CUST	SUP	OTH
1	5-12-10	BJN		A. CORRECT BOOT MATERIAL AND FLAME RATING B. ADD 2.5M LG	09M129BE-02				
R	1-18-10	BJN	MKY	RELEASED TO PRODUCTION	09M129BE-02		PBD		


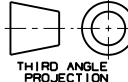
THIS COPY IS PROVIDED ON A RESTRICTED BASIS AND IS NOT TO BE USED IN ANY WAY DETRIMENTAL TO THE INTERESTS OF PANDUIT CORP.

PATCHCORD PART NUMBER	MINIMUM ("L") LENGTH
UTP6ASD3**	3 FT.(36") .91M
UTP6ASD4**	4 FT.(48") 1.22M
UTP6ASD5**	5 FT.(60") 1.52M
UTP6ASD6**	6 FT.(72") 1.83M
UTP6ASD7**	7 FT.(84") 2.13M
UTP6ASD8**	8 FT.(96") 2.44M
UTP6ASD9**	9 FT.(108") 2.74M
UTP6ASD10**	10 FT.(120") 3.05M
UTP6ASD11**	11 FT.(132") 3.35M
UTP6ASD12**	12 FT.(144") 3.66M
UTP6ASD13**	13 FT.(156") 3.96M
UTP6ASD14**	14 FT.(168") 4.27M
UTP6ASD15**	15 FT.(180") 4.57M
UTP6ASD16**	16 FT.(192") 4.88M
UTP6ASD17**	17 FT.(204") 5.18M
UTP6ASD18**	18 FT.(216") 5.49M
UTP6ASD19**	19 FT.(228") 5.79M
UTP6ASD20**	20 FT.(240") 6.10M
UTP6ASD25**	25 FT.(300") 7.62M
UTP6ASD30**	30 FT.(360") 9.14M
UTP6ASD35**	35 FT.(420") 10.67
UTP6ASD40**	40 FT.(480") 12.19M
UTP6ASD45**	45 FT.(540") 13.72M
UTP6ASD50**	50 FT.(600") 15.24M
UTP6ASD1M**	1 M.(39.4") 3.28FT.
UTP6ASD1.5M**	1.5 M.(59.1") 4.92FT.
UTP6ASD2M**	2 M.(78.8") 6.56FT.
UTP6ASD2.5M**	2.5 M.(98.5") 8.21FT.
UTP6ASD3M**	3 M.(118.2") 9.84FT.
UTP6ASD4M**	4 M.(157.7") 13.12FT.
UTP6ASD5M**	5 M.(196.9") 16.40FT.
UTP6ASD6M**	6 M.(236.4") 19.69FT.
UTP6ASD7M**	7 M.(275.8") 22.97FT.
UTP6ASD10M**	10 M.(393.7") 32.81FT.
UTP6ASD15M**	15 M.(590.6") 49.21FT.
UTP6ASD20M**	20 M.(787.4") 65.62FT.
UTP6ASD25M**	25 M.(984.3") 82.02FT.
UTP6ASD30M**	30 M.(1181.1") 98.43FT.

B

\*\* = COLOR OF CABLE  
 BLANK = OFF WHITE  
 BU = BLUE  
 RD = RED  
 YL = YELLOW  
 BL = BLACK  
 OR = ORANGE  
 GR = GREEN  
 VL = VIOLET

NOTE - STRAIN RELIEF BOOTS AVAILABLE  
 IN CLEAR ONLY

MODEL FILENAME	SIZE
DRAWING FILENAME	A
09M129BE_DC02/00B	
TITLE	
TX6A-SD 10GIG UTP PATCH CORDS (CM) CUSTOMER DRAWING	
 <b>PANDUIT</b> <sup>R</sup> CORP. TINLEY PARK, IL 60477	I.I. NUMBER
	PRODUCT SPEC
 THIRD ANGLE PROJECTION	WORK INSTRUCTION
	SCALE
DRAWN BY	PART NO.
BJN	UTP6ASD**
DATE	DRAWING NO.
1-18-10	09M129BE-02
CHK'D	SHEET 2 OF 2
MY	

REV	DATE	BY	CHK	DESCRIPTION	ECN	R	CUST	SUP	OTH
1	5-12-10	BJN		SEE SHEET 1 FOR REVISIONS	09M129BE-02				

## X-ON Electronics

Largest Supplier of Electrical and Electronic Components

*Click to view similar products for [Ethernet Cables / Networking Cables](#) category:*

*Click to view products by [Panduit](#) manufacturer:*

Other Similar products are found below :

[73-6670-7](#) [73-6680-15](#) [73-7797-25](#) [MCJB2-10P6Q7-120](#) [84909-0204](#) [1200700174](#) [1200860368](#) [E16A06002M030](#) [E200102-009-S1](#)  
[AX105346-EW](#) [MT14-187L](#) [17-103530](#) [ERWPAB3002M005](#) [190-038045-01](#) [NK5EPC18RDY](#) [NK5EPC18VLY](#) [NK5EPC18YLY](#)  
[NK5EPC1GRY](#) [NK5EPC4Y](#) [NK5EPC6YLY](#) [NK5EPC8BLY](#) [NK5EPC9YLY](#) [1969343-6](#) [C501100010](#) [C501106002](#) [C501106007](#)  
[C501106015](#) [C501106025](#) [C601102010](#) [C601104010](#) [C601106007](#) [C601106015](#) [2142758-2](#) [2168427-2](#) [CAT1106007](#) [21949-1](#) [2J1866A](#)  
[RJF SFTP 5E 0500](#) [AX100351](#) [MN14CEC/ST](#) [C501100015](#) [C501106004](#) [C501106010](#) [C5F1108007](#) [C601104004](#) [C601106004](#)  
[CA21106004](#) [CA21106010](#) [CA21106015](#) [CA21109007](#)