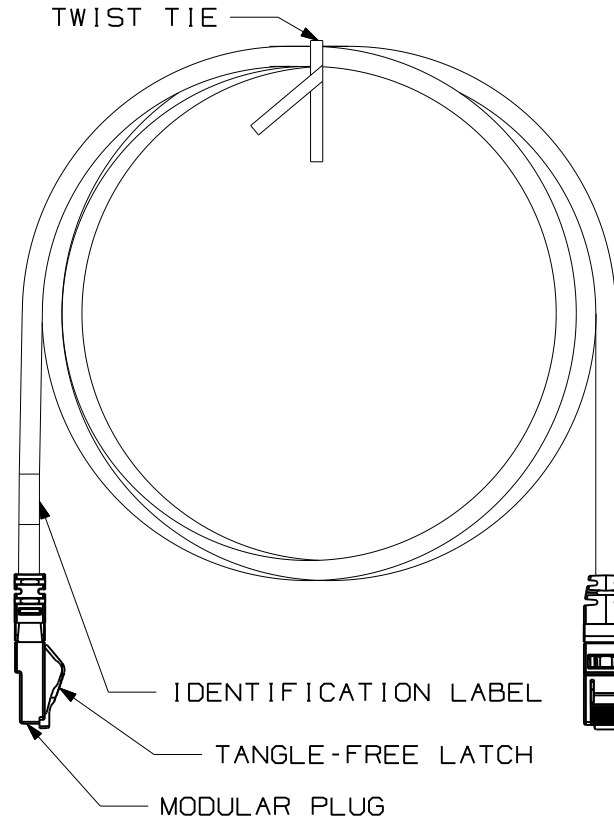


THIS COPY IS PROVIDED ON A RESTRICTED BASIS AND IS NOT TO BE USED IN ANY WAY DETRIMENTAL TO THE INTERESTS OF PANDUIT CORP.

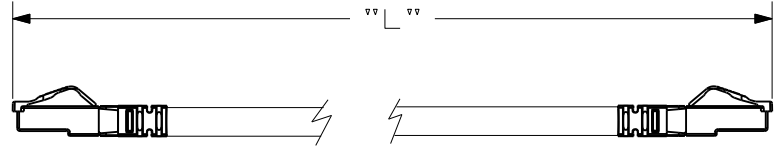


T568B WIRING SCHEME

PLUG POSITION:	CABLE WIRE:
1	WHITE/ORANGE
2	ORANGE
3	WHITE/GREEN
4	BLUE
5	WHITE/BLUE
6	GREEN
7	WHITE/BROWN
8	BROWN

NOTES:

1. SEE CURRENT CATALOG FOR VARIOUS APPLICATIONS AND TO INDICATE COLOR AND OR PACKAGE QUANTITY.
2. SEE CATALOG FOR A COMPLETE LIST OF PARTS APPLICABLE FOR USE WITH THIS PART.
3. NOMINAL CABLE JACKET DIAMETER IS .240in. (6.096mm)
4. CONSTRUCTED WITH 26AWG STRANDED CAT 6A 10GIG LSZH RATED CABLE
5. TERMINATED WITH (8 POSITION) MODULAR PLUGS AT BOTH ENDS PER T568B
6. MATERIALS:
PLUG: POLYCARBONATE
BOOT: CLEAR PVC



STRAIN RELIEF BOOT

IDENTIFICATION LABEL
TANGLE-FREE LATCH
MODULAR PLUG

PLUG POSITION 1

TX6A 10GIG LSZH PATCH CORDS

PANDUIT PART NUMBER	MINIMUM ("L") LENGTH
UTP6ASDL1M**	1 METER
UTP6ASDL1.5M**	1.5 METER
UTP6ASDL2M**	2 METER
UTP6ASDL2.5M**	2.5 METER
UTP6ASDL3M**	3 METER
UTP6ASDL5M**	5 METER

** = COLOR OF CABLE
BLANK = OFF WHITE
BU = BLUE

MODEL FILENAME	SIZE
DRAWING FILENAME	A

TITLE
TX6A-SD 10GIG UTP PATCH CORDS (LSZH)
CUSTOMER DRAWING

	PANDUIT [®] CORP. TINLEY PARK, IL 60477	I.I. NUMBER
		PRODUCT SPEC

	ALL DIMENSIONS ARE GIVEN IN INCHES, UNLESS OTHERWISE SPECIFIED.	WORK INSTRUCTION
	DIMENSIONAL TOLERANCES ARE: (.X) ± (.XXX) ± (.XX) ± ANGLES ±	SCALE NONE

DRAWN BY BJN	REVIEW DRAWING NUMBERS	PART NO. UTP6ASDL **
DATE 5-12-10		DRAWING NO. 09M129BE-03
CHK'D		

REV	DATE	BY	CHK	DESCRIPTION	ECN	R	CUST	SUP	OTH
R	5-12-10	BJN		RELEASED TO PRODUCTION	09M129BE-03				

X-ON Electronics

Largest Supplier of Electrical and Electronic Components

Click to view similar products for [Ethernet Cables / Networking Cables](#) category:

Click to view products by [Panduit](#) manufacturer:

Other Similar products are found below :

[0152660053](#) [603020002](#) [73-7797-25](#) [73-8890-10](#) [73-8890-14](#) [73-8891-14](#) [73-8891-25](#) [73-8892-50](#) [73-8894-10](#) [73-8894-3](#) [73-8895-14](#) [73-8896-7](#) [MCJB2-10P6Q7-120](#) [84909-0204](#) [9QA0-111-12-3.00](#) [1200650742](#) [1200700174](#) [1200860368](#) [1200650013](#) [1201080008](#) [1-21919-1](#) [1300500373](#) [1300101844](#) [1300101845](#) [130050-0004](#) [1300500014](#) [1410147](#) [E16A06002M030](#) [E200102-009-S1](#) [MT14-187L](#) [17-103530](#) [NK5EPC18RDY](#) [NK5EPC18VLY](#) [NK5EPC18YLY](#) [NK5EPC1GRY](#) [NK5EPC30BLY](#) [NK5EPC30VLY](#) [NK5EPC30YLY](#) [NK5EPC4Y](#) [NK5EPC6YLY](#) [NK5EPC8BLY](#) [NK5EPC9YLY](#) [NK6PC30BUY](#) [NK6PC30GRY](#) [NK6PC30RDY](#) [NK6PC30Y](#) [NK6PC30YLY](#) [1969343-6](#) [C501100010](#) [C501106002](#)