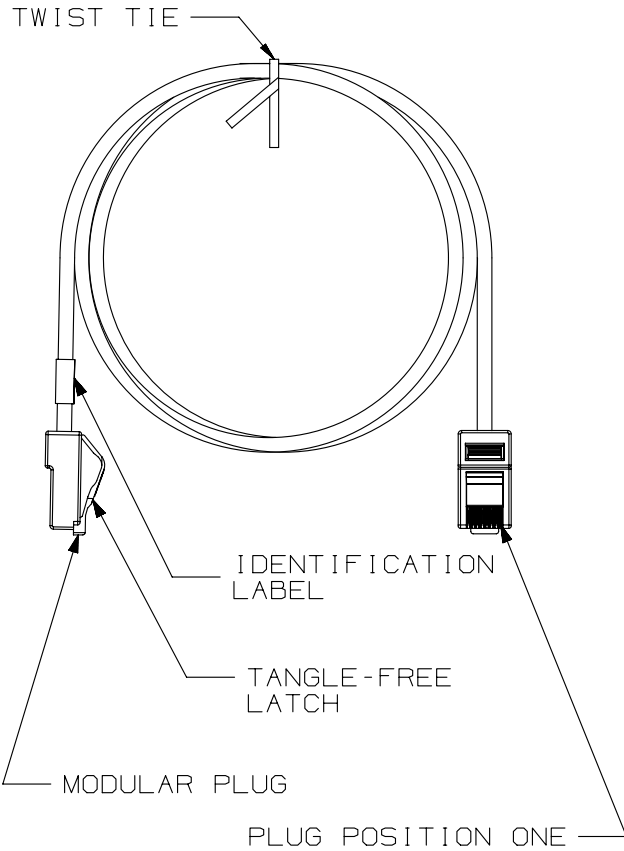


THIS COPY IS PROVIDED ON A RESTRICTED BASIS AND IS NOT TO BE USED IN ANY WAY DETRIMENTAL TO THE INTERESTS OF PANDUIT CORP.



NOTES:

1. SEE CATALOG FOR A COMPLETE LIST OF PARTS APPLICABLE FOR USE WITH THIS PART.
2. TERMINATED WITH (8 POSITION) MODULAR PLUGS AT BOTH ENDS PER T568A.
3. CONSTRUCTED WITH 24AWG STRANDED CAT5e UTP CM PATCH CABLE
4. MATERIALS:
PLUG: POLYCARBONATE
5. NOMINAL CABLE DIAMETER IS 0.215 IN (5.46MM).
6. PACKAGING: BULK PACKED 25 CORDS PER CARTON, WITHOUT BAGS.

T568A WIRING SCHEME

PLUG POSITION	CABLE WIRE
1	WHITE GREEN
2	GREEN
3	WHITE ORANGE
4	BLUE
5	WHITE BLUE
6	ORANGE
7	WHITE BROWN
8	BROWN

CABLE COLORS	** = COLOR
OFF WHITE	--
BLACK	BL
BLUE	BU
RED	RD
YELLOW	YL
GREEN	GR

SEE SHEET 2 FOR PATCH CORD LENGTHS AND PART NUMBERS

PART NUMBER		UTPCHXX**Y-Q	
TITLE			
TX5e UTP COPPER PATCH CORDS (CM) BULK PACKED			
CUSTOMER DRAWING			
ITEM REVISION NAME		M02479QV/00	
DATASET FILE NAME		M02479QV_DC401/00B	
UNLESS OTHERWISE SPECIFIED, DIMENSIONAL TOLERANCES ARE: IN (mm)		MATERIAL:	
.x ± .xx ± .03 (.8)		.xxx ± .010 (.3)	
ANGLES ±		DRAWING NUMBER:	
THIRD ANGLE PROJECTION		02479-401	
DRAWN BY	DATE	CHK	SCALE
BJN	11-21-11	EJH	NONE
SHT 1 OF 2			SIZE
			A

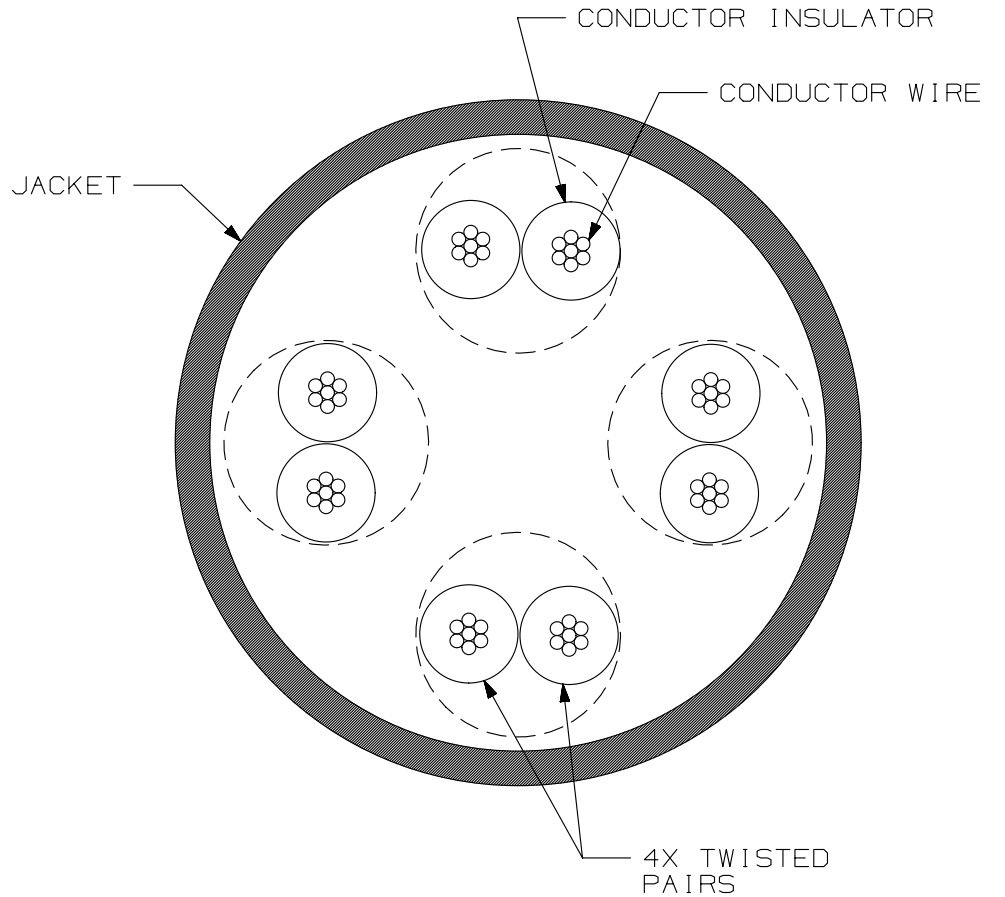
REV	DATE	BY	CHK	APR	DESCRIPTION	ECN
1	4-3-14	BJN	JSP	EJH	REVISED & REDRAWN PREVIOUS REVS REMVD FOR CLARITY	02479-401

D10100DA/14

THIS COPY IS PROVIDED ON A RESTRICTED BASIS AND IS NOT TO BE USED IN ANY WAY DETRIMENTAL TO THE INTERESTS OF PANDUIT CORP.

TX5e UTP PATCH CORDS

PANDUIT PART NUMBER	MIN. CABLE LENGTH	PANDUIT PART NUMBER	MIN. CABLE LENGTH
UTPCH3**Y-Q	3 FT.	UTPCH2M**Y-Q	2 m
UTPCH5**Y-Q	5 FT.	UTPCH3M**Y-Q	3 m
UTPCH7**Y-Q	7 FT.		
UTPCH10**Y-Q	10 FT.		
UTPCH14**Y-Q	14 FT.		



CROSS-SECTIONAL VIEW OF CABLE

PART NUMBER		UTPCHXX**Y-Q	
TITLE			
TX5e UTP COPPER PATCH CORDS (CM) BULK PACKED			
CUSTOMER DRAWING			
ITEM REVISION NAME		M02479QV/00	
DATASET FILE NAME		M02479QV_DC401/00B	
UNLESS OTHERWISE SPECIFIED, DIMENSIONAL TOLERANCES ARE: IN [mm]		MATERIAL:	
.x ± .xxx ± .010 [.3]			
.xx ± .03 [.8]		DRAWING NUMBER:	
ANGLES ±		02479-401	
THIRD ANGLE PROJECTION			
DRAWN BY	DATE	CHK	SCALE
BJN	11-21-11	EJH	NONE
REV	DATE	BY	CHK
1	4-3-14	BJN	JSP
BY	CHK	APR	DESCRIPTION
			SEE SHEET 1 FOR REVISION HISTORY
			ECN
			02479-401
SHT 1 OF 1		SIZE	
		A	

D10100DA/14

X-ON Electronics

Largest Supplier of Electrical and Electronic Components

Click to view similar products for [Ethernet Cables / Networking Cables](#) category:

Click to view products by [Panduit](#) manufacturer:

Other Similar products are found below :

[73-6670-7](#) [73-6680-15](#) [73-7797-25](#) [MCJB2-10P6Q7-120](#) [84909-0204](#) [1200700174](#) [1200860368](#) [E16A06002M030](#) [E200102-009-S1](#)
[AX105346-EW](#) [MT14-187L](#) [17-103530](#) [ERWPAB3002M005](#) [190-038045-01](#) [NK5EPC18RDY](#) [NK5EPC18VLY](#) [NK5EPC18YLY](#)
[NK5EPC1GRY](#) [NK5EPC4Y](#) [NK5EPC6YLY](#) [NK5EPC8BLY](#) [NK5EPC9YLY](#) [1969343-6](#) [C501100010](#) [C501106002](#) [C501106007](#)
[C501106015](#) [C501106025](#) [C601102010](#) [C601104010](#) [C601106007](#) [C601106015](#) [2142758-2](#) [2168427-2](#) [CAT1106007](#) [21949-1](#) [2J1866A](#)
[RJF SFTP 5E 0500](#) [AX100351](#) [MN14CEC/ST](#) [C501100015](#) [C501106004](#) [C501106010](#) [C5F1108007](#) [C601104004](#) [C601106004](#)
[CA21106004](#) [CA21106010](#) [CA21106015](#) [CA21109007](#)