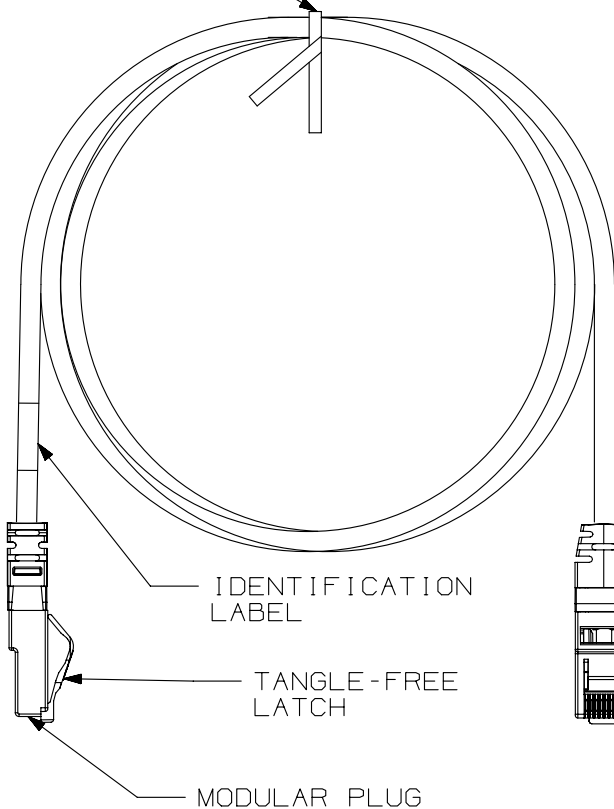


THIS COPY IS PROVIDED ON A RESTRICTED BASIS AND IS NOT TO BE USED IN ANY WAY DETRIMENTAL TO THE INTERESTS OF PANDUIT CORP.

TWIST TIE

NOTES:

- **1. SEE CURRENT CATALOG FOR VARIOUS APPLICATIONS AND TO INDICATE COLOR AND OR PACKAGE QUANTITY.
- 2. SEE CATALOG FOR A COMPLETE LIST OF PARTS APPLICABLE FOR USE WITH THIS PART.
- 3. TERMINATED WITH (8 POSITION) MODULAR PLUGS AT BOTH ENDS PER T568B.
- 4. CONSTRUCTED WITH STRANDED CAT6 UTP 24AWG CM PATCH CABLE
- 5. MATERIALS:
PLUG: POLYCARBONATE
BOOT: CLEAR PVC
- 6. NOMINAL CABLE JACKET DIAMETER IS 0.235 IN (5.97MM)



STRAIN RELIEF BOOT

T568B WIRING SCHEME

PLUG POSITION:

- 1
- 2
- 3
- 4
- 5
- 6
- 7
- 8

CABLE WIRE:
WHITE/ORANGE
ORANGE
WHITE/GREEN
BLUE
WHITE/BLUE
GREEN
WHITE/BROWN
BROWN

PLUG POSITION 1

| CABLE COLORS ** | = COLOR |
|-----------------|---------|
| OFF WHITE | -- |
| BLACK | BL |
| BLUE | BU |
| RED | RD |
| YELLOW | YL |
| GREEN | GR |
| ORANGE | OR |
| VIOLET | VL |

SEE SHEET 2 FOR PATCH CORD LENGTHS AND PART NUMBERS

| | | | |
|---|---------|--------------------|-------|
| PART NUMBER | | UTPSPXX**Y | |
| TITLE | | | |
| TX6 PLUS UTP PATCH CORDS (CM) | | | |
| CUSTOMER DRAWING | | | |
| ITEM REVISION NAME | | M02479NV/00 | |
| DATASET FILE NAME | | M02479NV_DC360/00E | |
| UNLESS OTHERWISE SPECIFIED, DIMENSIONAL TOLERANCES ARE: IN (mm) | | MATERIAL: | |
| .x ± .xxx ± .010 (.3) | | | |
| .xx ± .03 (.8) ANGLES ± | | DRAWING NUMBER: | |
| THIRD ANGLE PROJECTION | | 02479-360 | |
| DRAWN BY | DATE | CHK | SCALE |
| NER | 3-28-06 | WJC | NONE |
| SHT 1 OF 2 | | | SIZE |
| | | | A |

| | | | | | | |
|-----|--------|-----|-----|-----|---|-----------|
| REV | DATE | BY | CHK | APR | DESCRIPTION | ECN |
| 4 | 4-3-14 | BJN | JSP | EJH | REVISED & REDRAWN PREVIOUS REVS REMVD FOR CLARITY | 02479-360 |

D10100DA/14

2

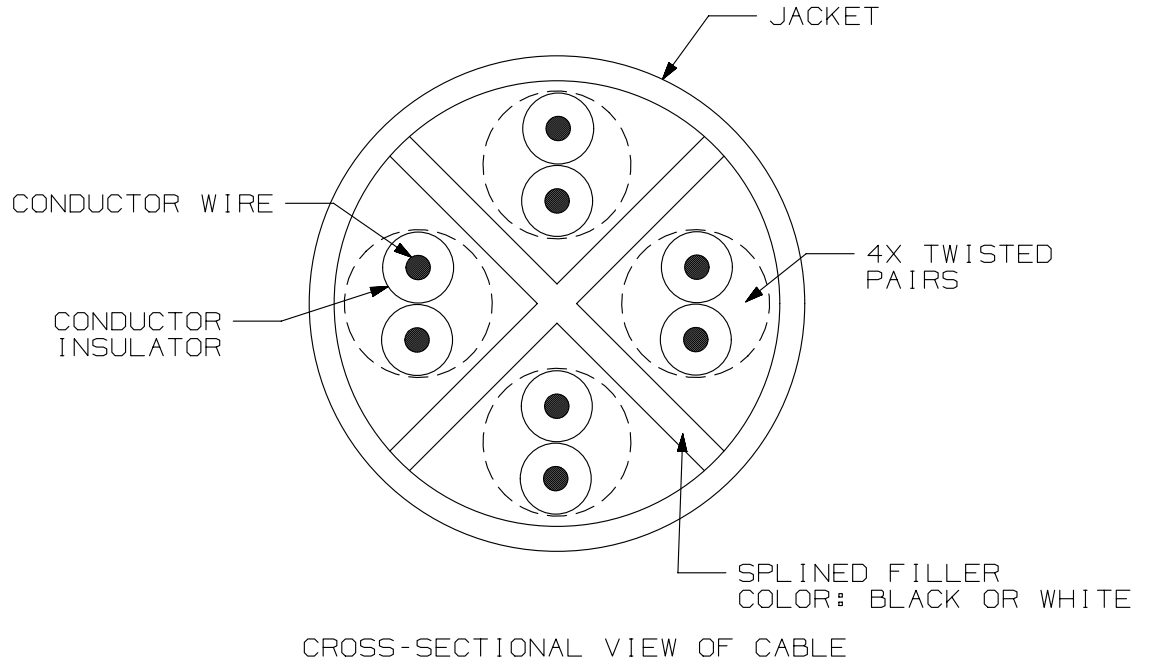
1

2

1

THIS COPY IS PROVIDED ON A RESTRICTED BASIS AND IS NOT TO BE USED IN ANY WAY DETRIMENTAL TO THE INTERESTS OF PANDUIT CORP.
TX6 PLUS UTP PATCH CORDS

| PANDUIT PART NUMBER | MIN. CABLE LENGTH | PANDUIT PART NUMBER | MIN. CABLE LENGTH |
|---------------------|-------------------|---------------------|-------------------|
| UTPSP1**Y | 1 FT. | UTPSP0.5M**Y | 0.5 METER |
| UTPSP2**Y | 2 FT. | UTPSP1M**Y | 1 METER |
| UTPSP3**Y | 3 FT. | UTPSP1.5M**Y | 1.5 METER |
| UTPSP4**Y | 4 FT. | UTPSP2M**Y | 2 METERS |
| UTPSP5**Y | 5 FT. | UTPSP2.5M**Y | 2.5 METERS |
| UTPSP6**Y | 6 FT. | UTPSP3M**Y | 3 METERS |
| UTPSP7**Y | 7 FT. | UTPSP4M**Y | 4 METERS |
| UTPSP8**Y | 8 FT. | UTPSP5M**Y | 5 METERS |
| UTPSP9**Y | 9 FT. | UTPSP6M**Y | 6 METERS |
| UTPSP10**Y | 10 FT. | UTPSP7M**Y | 7 METERS |
| UTPSP11**Y | 11 FT. | UTPSP8M**Y | 8 METERS |
| UTPSP12**Y | 12 FT. | UTPSP9M**Y | 9 METERS |
| UTPSP13**Y | 13 FT. | UTPSP10M**Y | 10 METERS |
| UTPSP14**Y | 14 FT. | UTPSP15M**Y | 15 METERS |
| UTPSP15**Y | 15 FT. | UTPSP20M**Y | 20 METERS |
| UTPSP16**Y | 16 FT. | UTPSP25M**Y | 25 METERS |
| UTPSP17**Y | 17 FT. | UTPSP30M**Y | 30 METERS |
| UTPSP18**Y | 18 FT. | UTPSP35M**Y | 35 METERS |
| UTPSP19**Y | 19 FT. | UTPSP40M**Y | 40 METERS |
| UTPSP20**Y | 20 FT. | | |
| UTPSP25**Y | 25 FT. | | |
| UTPSP30**Y | 30 FT. | | |
| UTPSP35**Y | 35 FT. | | |
| UTPSP40**Y | 40 FT. | | |



| | | | |
|---|---------|--------------------|-------|
| PART NUMBER | | UTPSPXX**Y | |
| TITLE | | | |
| TX6 PLUS UTP PATCH CORDS (CM) | | | |
| CUSTOMER DRAWING | | | |
| ITEM REVISION NAME | | M02479NV/00 | |
| DATASET FILE NAME | | M02479NV_DC360/00E | |
| UNLESS OTHERWISE SPECIFIED, DIMENSIONAL TOLERANCES ARE: IN [mm] | | PANDUIT | |
| .x ± .xxx ± .010 [.3] | | | |
| .xx ± .03 [.8] | | MATERIAL: | |
| ANGLES ± | | DRAWING NUMBER: | |
| THIRD ANGLE PROJECTION | | 02479-360 | |
| DRAWN BY | DATE | CHK | SCALE |
| NER | 3-28-06 | WJC | NONE |
| SHT 2 OF 2 | | | SIZE |
| | | | A |

| 4 | 4-3-14 | BJN | JSP | EJH | SEE SHEET 1 FOR REVISION HISTORY | 02479-360 |
|-----|--------|-----|-----|-----|----------------------------------|-----------|
| REV | DATE | BY | CHK | APR | DESCRIPTION | ECN |

D10100DA/14

X-ON Electronics

Largest Supplier of Electrical and Electronic Components

Click to view similar products for [Ethernet Cables / Networking Cables](#) category:

Click to view products by [Panduit](#) manufacturer:

Other Similar products are found below :

[73-6670-7](#) [73-6680-15](#) [73-7797-25](#) [MCJB2-10P6Q7-120](#) [84909-0204](#) [1200700174](#) [1200860368](#) [E16A06002M030](#) [E200102-009-S1](#)
[AX105346-EW](#) [MT14-187L](#) [17-103530](#) [ERWPAB3002M005](#) [190-038045-01](#) [NK5EPC18RDY](#) [NK5EPC18VLY](#) [NK5EPC18YLY](#)
[NK5EPC1GRY](#) [NK5EPC4Y](#) [NK5EPC6YLY](#) [NK5EPC8BLY](#) [NK5EPC9YLY](#) [1969343-6](#) [C501100010](#) [C501106002](#) [C501106007](#)
[C501106015](#) [C501106025](#) [C601102010](#) [C601104010](#) [C601106007](#) [C601106015](#) [2142758-2](#) [2168427-2](#) [CAT1106007](#) [21949-1](#) [2J1866A](#)
[RJF SFTP 5E 0500](#) [AX100351](#) [MN14CEC/ST](#) [C501100015](#) [C501106004](#) [C501106010](#) [C5F1108007](#) [C601104004](#) [C601106004](#)
[CA21106004](#) [CA21106010](#) [CA21106015](#) [CA21109007](#)