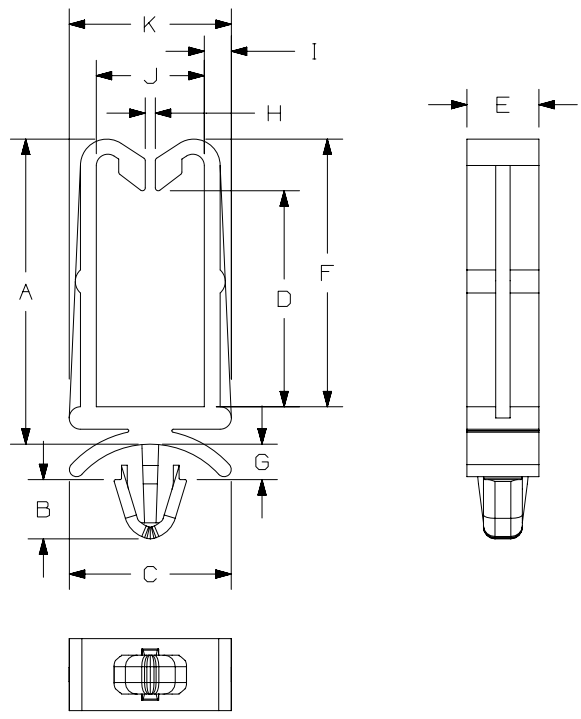
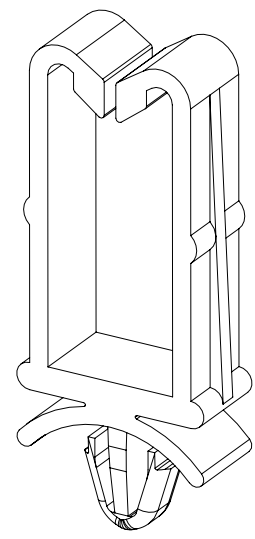


THIS COPY IS PROVIDED ON A RESTRICTED BASIS AND IS NOT TO BE USED IN ANY WAY DETRIMENTAL TO THE INTERESTS OF PANDUIT CORP.

PANDUIT PART NUMBER	DIMENSION											MAX BUNDLE CAPACITY		
	A +/- .031	B	C	D +/- .031	E	F	G	H	I	J +/- .031	K	BUNDLE DIAMETER	BUNDLE CROSS SECTIONAL AREA	
VWS3750-*	0.80 [20.3]			0.50 [12.7]		0.67 [17.0]				0.09 [2.3]		0.375 [9.5] X 0.500 [12.7]	0.1875 in ² [120.7 mm ²]	
VWS3775-*	1.05 [26.7]	0.23 [5.8]	0.56 [14.2]	0.75 [19.1]	0.25 [6.4]	0.92 [23.4]	0.12 [3.0]	0.02 [0.5]	0.1 [2.5]			0.375 [9.5] X 0.750 [19.1]	0.28125 in ² [181.5 mm ²]	
VWS50100-*	1.33 [33.8]			1.00 [25.4]		1.22 [31.0]				0.13 [3.3]	0.500 [12.7]	0.75 [19.1]	0.500 [12.7] X 1.000 [25.4]	0.500 in ² [322.6 mm ²]



- NOTES:
- 1) HOLE SIZE 0.187/0.192 [4.7/4.9 mm]
 - 2) PANEL THICKNESS 0.030/0.080 [0.8/2.0 mm]
 - 3) MILLIMETERS ARE IN [].
 - 4) ALL DIMENSIONS ARE REFERENCE EXCEPT A, D, AND J.

REV	DATE	BY	CHK	APR	DESCRIPTION	ECN
05	7/24/15	RVU	DJW	JHAC	CHANGE NOTE 2, 0.030/0.080 [0.8/2.0 mm] WAS 0.030/0.040 [0.8/1.0 mm].	GAECN02992
04	6/22/15	RVU	DJW	JHAC	ADD NOTE 4 AND REMOVE TOLERANCES FROM THE TITLE. NOTE 2, 0.030/0.040 [0.8/1.0 mm] WAS 0.030/0.080 [0.8/2.0 mm].	GAECN02922
03	6/9/15	RVU	CLW	JHAC	UPDATE TABLE WITH A-K DIMENSIONS COLUMNS AND MORE. ADD NOTE 3. REVISED DIMENSION WITH LETTERS. UPDATE TITLE.	GAECN02905
02	6/02/15	BWG	MRJS	JADE	ADDED REF. DIMENSIONS AND METRIC DIMENSIONS.	10B233AB/02
01	5/20/15	BWG	MRJS	JADE	REVISED NOTE 2. SEE ECN FOR COMPLETE DETAILS.	10B233AB/01
00	4/15/15	BWG	MRJS	JADE	DRAWING RELEASED.	10B233AB/00

TITLE
VERTICAL WIRE SADDLES - VWS3750-*, VWS3775-* & VWS50100-*
 CUSTOMER DRAWING

ITEM REVISION NAME
 10B233AB/05

DATASET FILE NAME
 10B233AB_DC/05

UNLESS OTHERWISE SPECIFIED, DIMENSIONAL TOLERANCES ARE: IN [mm]
 .x ± SEE NOTE 4. .xxx ± SEE NOTE 4.
 .xx ± SEE NOTE 4. ANGLES ± SEE NOTE 4.

THIRD ANGLE PROJECTION

MATERIAL:
NYLON 6.6

DRAWING NUMBER:
 10B233AB_DC

DRAWN BY: GILES DATE: 4/15/15 CHK: JHAC SCALE: 1.5x

SHT 1 OF 1 SIZE: A

X-ON Electronics

Largest Supplier of Electrical and Electronic Components

Click to view similar products for [Cable Mounting & Accessories](#) category:

Click to view products by [Panduit](#) manufacturer:

Other Similar products are found below :

[582603-1](#) [009333-000](#) [727844N003](#) [747](#) [809090N001](#) [843188-000](#) [8666](#) [967279N002](#) [DB-11](#) [1300840039](#) [1300900096](#) [1301800416](#)
[1302264450](#) [1300830184](#) [1300830729](#) [1300900039](#) [1301580036](#) [1301850553](#) [1301860939](#) [1302000074](#) [1302261315](#) [1302264431](#)
[1337706-2](#) [APA18-AK](#) [1724](#) [1-787307-1](#) [185491N001](#) [1868](#) [HP-6N](#) [C-202-C](#) [202C221-13-0](#) [CA7308-000](#) [8S23-75FR-CS8184](#) [2684](#) [9648](#)
[3089](#) [988382-000](#) [A72821-000](#) [AA401](#) [173506-000](#) [1823](#) [202C292-13-0](#) [202C302-13-0](#) [2109](#) [300625](#) [3330](#) [3412](#) [356247-1](#) [M9142](#)
[M9143](#)