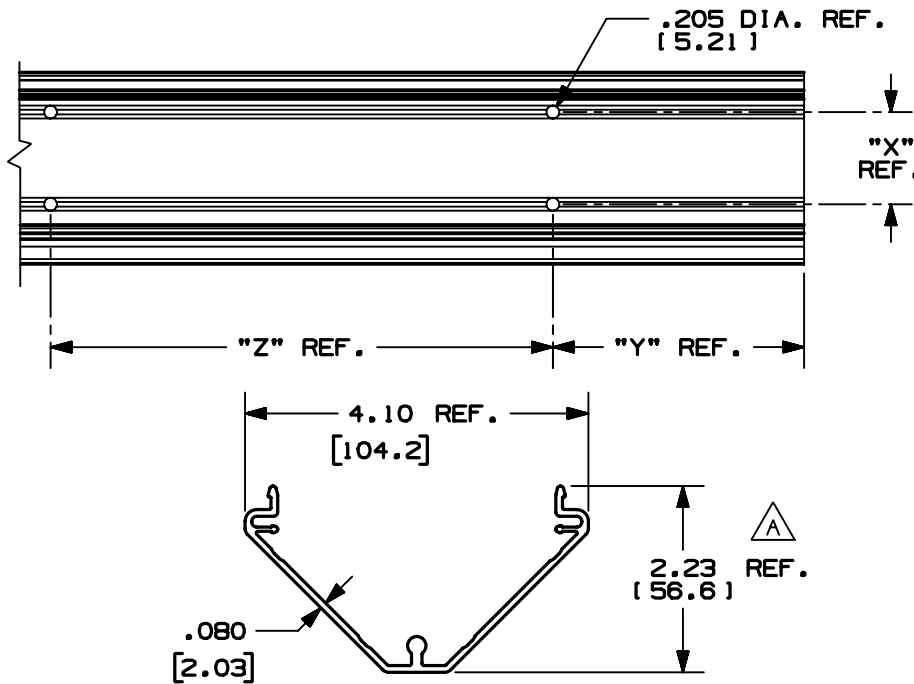


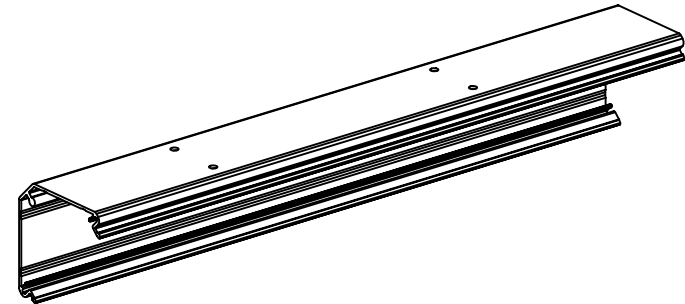
THIS COPY IS PROVIDED ON A RESTRICTED BASIS AND IS NOT TO BE USED IN ANY WAY DETRIMENTAL TO THE INTERESTS OF PANDUIT CORP.

PANDUIT PART NO.	LENGTH	WEIGHT	MOUNTING HOLE DIM'S		
			"X"	"Y"	"Z"
WCM35B**8	96.00 ±.18 [ 2438 ±4.6 ]	2.98 LBS/96 IN [ 1351.7 G/2438 MM ]	1.47 [ 37.3 ]	4.00 [ 101.6 ]	8.00 [ 203.2 ]



NOTES:

- \*\*1. SEE CURRENT CATALOG FOR ADDITIONAL PART NUMBER SUFFIXES TO INDICATE COLOR AND/OR PACKAGE QUANTITY.
- 2. THIS PRODUCT IS INTENDED TO BE USED WITH PANDUIT TYPE WCM35 RACEWAY.
- 3. DIMENSIONS IN PARENTHESIS ARE IN METRIC.



CAD FILENAME/LAYERS		D37786CD_DC_WCM35B_05C.PRT	
<b>PANDUIT</b> CORP. TINLEY PARK, ILLINOIS			
<b>3.5 INCH COVE MOLDING BASE (WCM35B)</b> CUSTOMER DRAWING			
UNLESS OTHERWISE SPECIFIED, DIMENSIONAL TOLERANCES ARE:		UNLESS OTHERWISE SPECIFIED, ALL DIMENSIONS ARE GIVEN IN INCHES, THIRD ANGLE PROJECTION.	
(.X)±		(.XXX) ± .015( .38 )	
(.XX)±		.03( .8 ) ANGLES ±	
DRAWN BY JBN	MAT'L'S:	SCALE NONE	
DATE 04-09-02	PVC	DRAWING NO.	SIZE
CHK'D BKR		37786-12	A

REV	DATE	BY	CHK	DESCRIPTION	ECN	CHK	CUST	SUP
2	12-15-03	JBN	BKR	E. REVISED DIMENSION TO FIRST HOLE D. REVISED WEIGHT	37786-12	RGRO	RGRO	
-	-----	---	---	RELEASED TO PRODUCTION	-----	-----	-----	
-	-----	---	---	C. REVISED PART DESCRIPTION	-----	-----	-----	
1	11-05-02	JHEP	BKR	B. REVISED WEIGHT A. REVISED DIMENSION TO REFERENCE	37786-12	RGRO	RGRO	
R	04-09-02	JBN	BKR	DRAWING RELEASED				

## X-ON Electronics

Largest Supplier of Electrical and Electronic Components

*Click to view similar products for [Wire Ducting](#) category:*

*Click to view products by [Panduit](#) manufacturer:*

Other Similar products are found below :

[66200A-10](#) [CVED32VEPG](#) [CVED40VEPG](#) [F512D5-5F140Y](#) [F512D5-5F200Y](#) [F512D5-5F26Y](#) [F512D5-5F30Y](#) [F512D5-5F33Y](#) [F512D5-5F34Y](#) [F512D5-5F45Y](#) [F512D5-5F50Y](#) [F512D5-5F54Y](#) [F512D5-5F66Y](#) [F512D5-5F70Y](#) [F512D5-5F75Y](#) [F512D5-5F90Y](#) [F612D5-5F100Y](#) [F612D5-5F130Y](#) [F612D5-5F50Y](#) [F612D5-5F56Y](#) [F612D5-5F58Y](#) [F6L12D5-5F46](#) [F912D5-5F11Y](#) [F912D5-5F170Y](#) [F912D5-5F175Y](#) [F912D5-5F230Y](#) [F912D5-5F300Y](#) [F912D5-5F55Y](#) [F912D5-5F56Y](#) [F912D5-5F63Y](#) [F912D5-5F6Y](#) [F912D5-5F75Y](#) [F912D5-5F85Y](#) [F912D5-5F86Y](#) [F912D5-5F88Y](#) [F912D5-5F96Y](#) [FAP0047WBLMTP](#) [FAP12WBRDRDDLZ](#) [FAP12WDYLYLDLZ](#) [FAP12WEORORDLZ](#) [FAP6WEORORDLZ](#) [FAP6WFDBDBDLZ](#) [FAP8WEORORDLZ](#) [FCE2UWCL](#) [800A-LB](#) [802A-ECSP](#) [802I-ICSP](#) [FJQADH](#) [FJQFXT](#) [PED10](#)