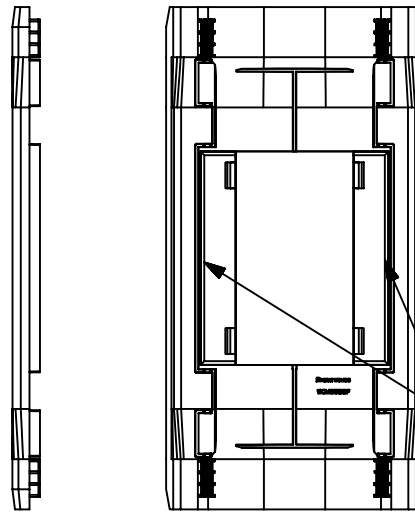
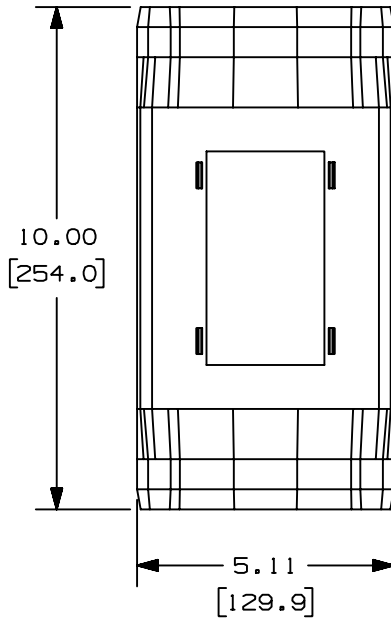


THIS COPY IS PROVIDED ON A RESTRICTED BASIS AND IS NOT TO BE USED IN ANY WAY DETRIMENTAL TO THE INTERESTS OF PANDUIT CORP.

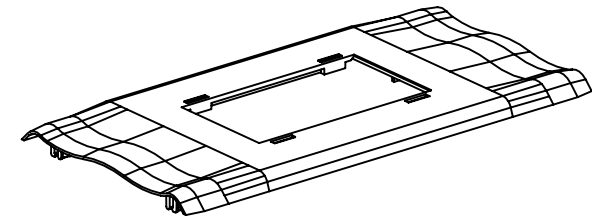


PANDUIT PART NO.	WEIGHT
WCM35DBF	.434 LBS (197.1 G)

NOTES:

- SEE CURRENT CATALOG FOR ADDITIONAL PART NUMBER SUFFIXES TO INDICATE COLOR AND/OR PACKAGE QUANTITY.
- THIS PRODUCT IS INTENDED TO BE USED WITH PANDUIT TYPE WCM35 RACEWAY.
- DIMENSIONS IN PARENTHESIS ARE IN METRIC.
- NOMINAL WALL THICKNESS IS .100" [2.54].
- BREAKOUT FEATURE CONVERTS SINGLE GANG TO DUAL GANG.

SEE NOTE 5



C A

CAD FILENAME/LAYERS D38610BA\_DC\_WCM35DBF\_05C.PRT

PANDUIT CORP. TINLEY PARK, ILLINOIS

3.5 INCH COVE MOLDING  
DEVICE BOX FACEPLATE ADAPTER (WCM35DBF)  
CUSTOMER DRAWING

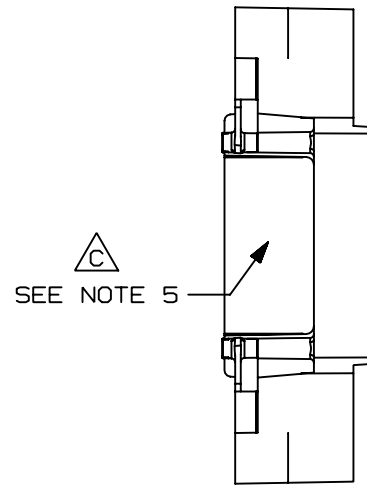
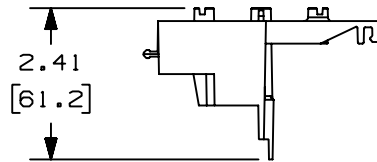
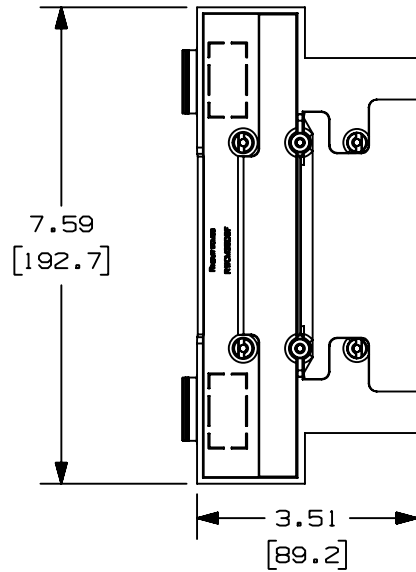
UNLESS OTHERWISE SPECIFIED,  
DIMENSIONAL TOLERANCES ARE:  
(.X) ± (.XXX) ±.015 (.38)  
(.XX) ±.03 (.8) ANGLES ±

UNLESS OTHERWISE SPECIFIED,  
ALL DIMENSIONS ARE GIVEN  
IN INCHES, THIRD ANGLE PROJECTION.

REV	DATE	BY	CHK	DESCRIPTION	ECN	CHK	CUST	SUP
3	02-19-04	JBN	RMHI	G. ADDED NOTE; SHEET 1 OF 2 F. REVISED PART WEIGHT	38610-02	RGRO	RGRO	
-	-----	-----	-----	E. ADDED VIEW	-----	-----	-----	
2	01-29-04	JHEP	RMHI	D. ADDED NOTE 5 C. REVISED PART DESCRIPTION	38610-02	RGRO	RGRO	
-	-----	-----	-----	RELEASED TO PRODUCTION	-----	-----	-----	
1	12-10-03	JHEP	RMHI	B. PART WEIGHT REVISED A. PART NUMBER AND DESCRIPTION REVISED	38610-02	RGRO	RGRO	
R	03-27-03	JBN	RMHI	DRAWING RELEASED				

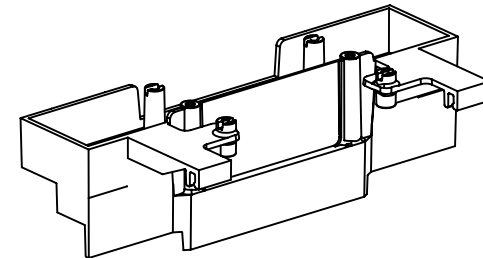
DRAWN BY JBN	MAT'L:  PVC	SCALE NONE
DATE 03-27-03		DRAWING NO. 38610-02 (SHEET 1 OF 2)
CHK'D RMHI		DWG A SIZE

THIS COPY IS PROVIDED ON A RESTRICTED BASIS AND IS NOT TO BE USED IN ANY WAY DETRIMENTAL TO THE INTERESTS OF PANDUIT CORP.



SEE NOTE 5

- NOTES:
1. SEE CURRENT CATALOG FOR ADDITIONAL PART NUMBER SUFFIXES TO INDICATE COLOR AND/OR PACKAGE QUANTITY.
  2. THIS PRODUCT IS INTENDED TO BE USED WITH PANDUIT TYPE WCM35 RACEWAY.
  3. DIMENSIONS IN PARENTHESIS ARE IN METRIC.
  4. NOMINAL WALL THICKNESS IS .090" [2.29].
  5. REMOVABLE BREAKOUT FEATURE



A

CAD FILENAME/LAYERS D38611BA\_DC\_WCM35DBF\_08C.PRT

PANDUIT CORP. TINLEY PARK, ILLINOIS

3.5 INCH COVE MOLDING  
DEVICE BOX FACEPLATE ADAPTER (WCM35DBF)  
CUSTOMER DRAWING

3	02-19-04	JBN	RMHI	E. REVISED DRAWING/ECN NUMBER AND ADDED NOTE D. REMOVED CHART	38610-02	RGRO	RGRO			
2	01-29-04	JHEPRMHI		C. ADDED NOTE 5	38611-02	RGRO	RGRO			
-	-----			RELEASED TO PRODUCTION	38611-02	----	----			
1	12-30-03	JHEPRMHI		B. REVISED WEIGHT A. REVISED PART NUMBER AND DESCRIPTION	38611-02	RGRO	RGRO			
R	03-27-03	JBN	RMHI	DRAWING RELEASED						
REV	DATE	BY	CHK	DESCRIPTION	ECN	CHK	CUST	SUP		

UNLESS OTHERWISE SPECIFIED,  
DIMENSIONAL TOLERANCES ARE:  
(.X) ± (.XXX) ±.015 (.38)  
(.XX) ±.03 (.8) ANGLES ±

UNLESS OTHERWISE SPECIFIED,  
ALL DIMENSIONS ARE GIVEN  
IN INCHES, THIRD ANGLE PROJECTION.

DRAWN BY  
JBN  
DATE  
03-27-03  
CHK'D  
RMHI

MAT'L:  
PVC

SCALE NONE  
DRAWING NO. 38610-02 (SHEET 2 OF 2)  
DWB A SIZE

## X-ON Electronics

Largest Supplier of Electrical and Electronic Components

*Click to view similar products for [Wire Ducting](#) category:*

*Click to view products by [Panduit](#) manufacturer:*

Other Similar products are found below :

[66200A-10](#) [CVED32VEPG](#) [CVED40VEPG](#) [F512D5-5F140Y](#) [F512D5-5F200Y](#) [F512D5-5F26Y](#) [F512D5-5F30Y](#) [F512D5-5F33Y](#) [F512D5-5F34Y](#) [F512D5-5F45Y](#) [F512D5-5F50Y](#) [F512D5-5F54Y](#) [F512D5-5F66Y](#) [F512D5-5F70Y](#) [F512D5-5F75Y](#) [F512D5-5F90Y](#) [F612D5-5F100Y](#) [F612D5-5F130Y](#) [F612D5-5F50Y](#) [F612D5-5F56Y](#) [F612D5-5F58Y](#) [F6L12D5-5F46](#) [F912D5-5F11Y](#) [F912D5-5F170Y](#) [F912D5-5F175Y](#) [F912D5-5F230Y](#) [F912D5-5F300Y](#) [F912D5-5F55Y](#) [F912D5-5F56Y](#) [F912D5-5F63Y](#) [F912D5-5F6Y](#) [F912D5-5F75Y](#) [F912D5-5F85Y](#) [F912D5-5F86Y](#) [F912D5-5F88Y](#) [F912D5-5F96Y](#) [FAP0047WBLMTP](#) [FAP12WBRDRDDLZ](#) [FAP12WDYLYLDLZ](#) [FAP12WEORORDLZ](#) [FAP6WEORORDLZ](#) [FAP6WFDBDBDLZ](#) [FAP8WEORORDLZ](#) [FCE2UWCL](#) [800A-LB](#) [802A-ECSP](#) [802I-ICSP](#) [FJQADH](#) [FJQFXT](#) [PED10](#)