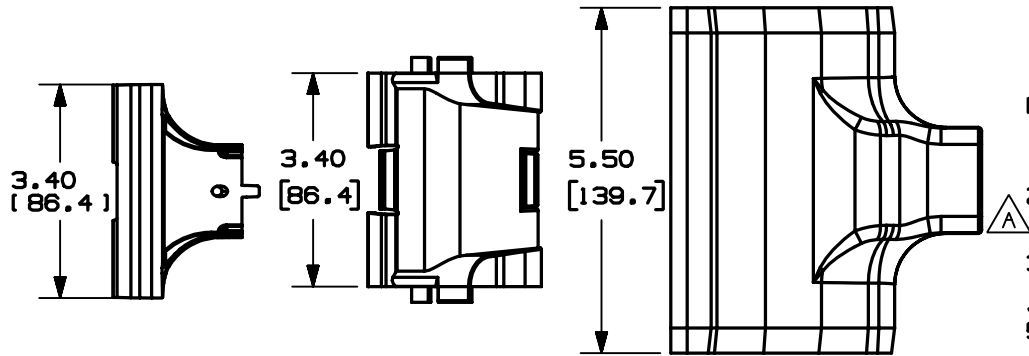
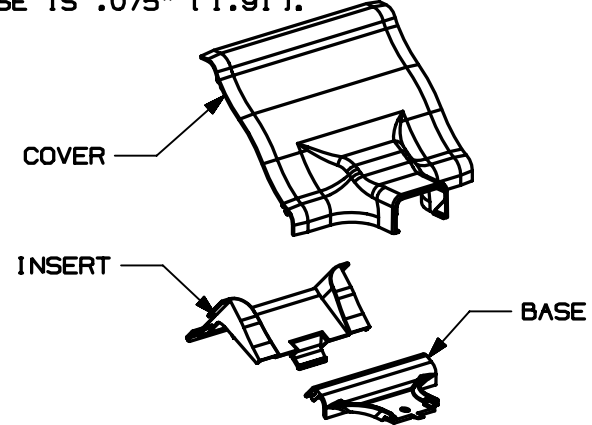
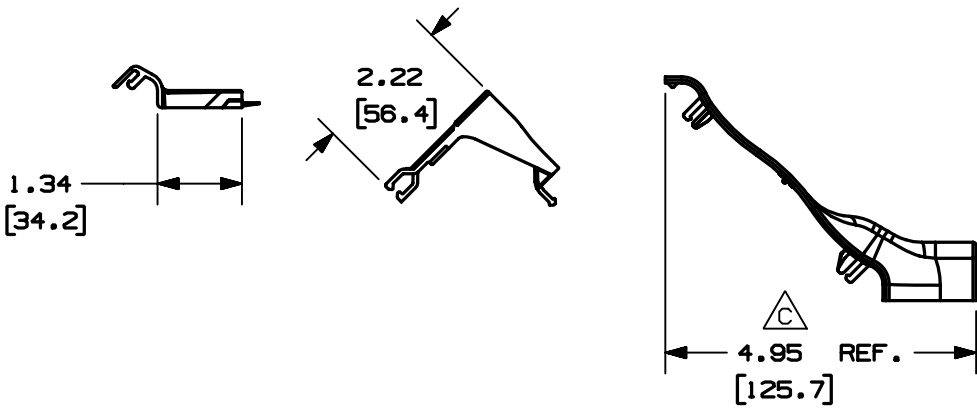


THIS COPY IS PROVIDED ON A RESTRICTED BASIS AND IS NOT TO BE USED IN ANY WAY DETRIMENTAL TO THE INTERESTS OF PANDUIT CORP.

PANDUIT PART NO.	WEIGHT
WCM35TR10	.250 LBS [113.40 G]



- NOTES:
1. SEE CURRENT CATALOG FOR ADDITIONAL PART NUMBER SUFFIXES TO INDICATE COLOR AND/OR PACKAGE QUANTITY.
 2. THIS PRODUCT IS INTENDED TO ROUTE CABLES BETWEEN PANDUIT WCM35 RACEWAY AND PANDUIT LD10 OR LDP10 RACEWAYS.
 3. THIS PRODUCT IS FEATURED WITH A 1" BEND RADIUS.
 4. DIMENSIONS IN PARENTHESIS ARE IN METRIC.
 5. NOMINAL WALL THICKNESS FOR COVER IS .100" [2.54].
 6. NOMINAL WALL THICKNESS FOR INSERT AND BASE IS .075" [1.91].



CAD FILENAME/LAYERS D38646BL_DC_WCM35TR10_OOC.PRT

PANDUIT CORP. TINLEY PARK, ILLINOIS
 3.5 INCH COVE MOLDING LOW PROFILE TRANSITION FITTING (WCM35TR10)
 CUSTOMER DRAWING

REV	DATE	BY	CHK	DESCRIPTION	ECN	CHK	CUST	SUP
-	-----	---	---	RELEASED TO PRODUCTION	-----	---	---	---
2	12-31-03	JBN	BKR	C. REVISED DIMENSION TO REFERENCE	38646-08	RGRO	RGRO	
1	12-08-03	JBN	BKR	B. REVISED DESCRIPTION IN TITLE BLOCK A. REVISED NOTE 2				
R	08-13-03	JBN	BKR	DRAWING RELEASED				

UNLESS OTHERWISE SPECIFIED, DIMENSIONAL TOLERANCES ARE:		UNLESS OTHERWISE SPECIFIED, ALL DIMENSIONS ARE GIVEN IN INCHES, THIRD ANGLE PROJECTION.	
(.X)±	(.XXX) ± .015 [.38]		
(.XX)±	.03 [.8] ANGLES ±		
DRAWN BY	JBN	MAT'L:	PVC
DATE	08-13-03		
CHK'D	BKR		
		SCALE	NONE
		DRAWING NO.	38646-08
		DWG SIZE	A

X-ON Electronics

Largest Supplier of Electrical and Electronic Components

Click to view similar products for [Wire Ducting](#) category:

Click to view products by [Panduit](#) manufacturer:

Other Similar products are found below :

[66200A-10](#) [CVED32VEPG](#) [CVED40VEPG](#) [F512D5-5F140Y](#) [F512D5-5F200Y](#) [F512D5-5F26Y](#) [F512D5-5F30Y](#) [F512D5-5F33Y](#) [F512D5-5F34Y](#) [F512D5-5F45Y](#) [F512D5-5F50Y](#) [F512D5-5F54Y](#) [F512D5-5F66Y](#) [F512D5-5F70Y](#) [F512D5-5F75Y](#) [F512D5-5F90Y](#) [F612D5-5F100Y](#) [F612D5-5F130Y](#) [F612D5-5F50Y](#) [F612D5-5F56Y](#) [F612D5-5F58Y](#) [F6L12D5-5F46](#) [F912D5-5F11Y](#) [F912D5-5F170Y](#) [F912D5-5F175Y](#) [F912D5-5F230Y](#) [F912D5-5F300Y](#) [F912D5-5F55Y](#) [F912D5-5F56Y](#) [F912D5-5F63Y](#) [F912D5-5F6Y](#) [F912D5-5F75Y](#) [F912D5-5F85Y](#) [F912D5-5F86Y](#) [F912D5-5F88Y](#) [F912D5-5F96Y](#) [FAP0047WBLMTP](#) [FAP12WBRDRDDLZ](#) [FAP12WDYLYLDLZ](#) [FAP12WEORORDLZ](#) [FAP6WEORORDLZ](#) [FAP6WFDBDBDLZ](#) [FAP8WEORORDLZ](#) [FCE2UWCL](#) [800A-LB](#) [802A-ECSP](#) [802I-ICSP](#) [FJQADH](#) [FJQFXT](#) [PED10](#)