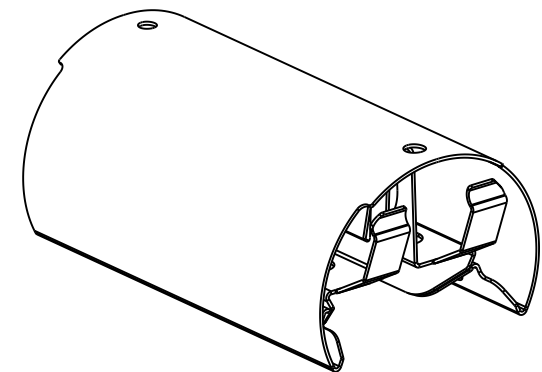
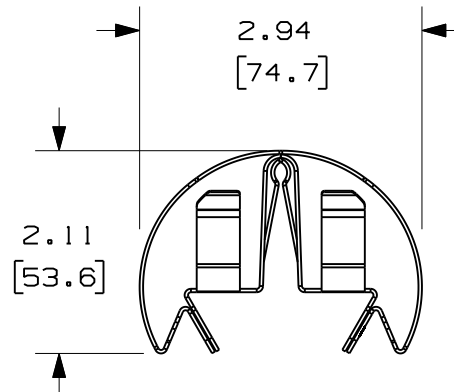
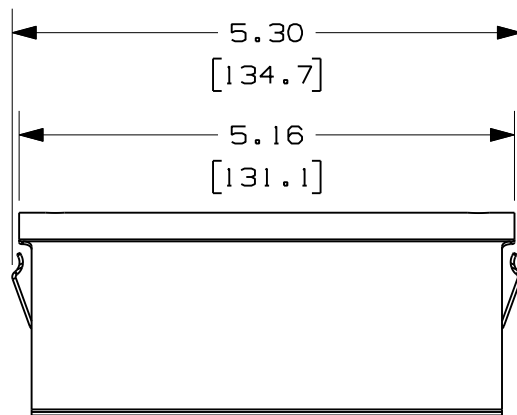


THIS COPY IS PROVIDED ON A RESTRICTED BASIS AND IS NOT TO BE USED IN ANY WAY DETRIMENTAL TO THE INTERESTS OF PANDUIT CORP.

PANDUIT PART NUMBER	WEIGHT
WGBTMWF	.57 LB/EACH 258.5 g/EACH

NOTES:

- SEE CURRENT CATALOG FOR ADDITIONAL PART SUFFIXES TO INDICATE PART FINISH AND/OR PACKAGING QUANTITY.
- DIMENSIONS IN PARENTHESIS ARE METRIC.



G **H**

---	-----	---	---	--	I. CHANGED MATERIAL FROM 'SEE NOTES ABOVE' TO 'STEEL'
4	11-20-12	SSP	DWW	RN	H. REMOVED PRIOR NOTE(S) G. UPDATED TITLEBLOCK TO LATEST VERSION

TITLE		WYR-GRID CABLE TRAY BOTTOM WATERFALL (WGBTMWF)	
ITEM REVISION NAME		CUSTOMER DRAWING	
DATASET FILE NAME		09D017DU/02	
MATERIAL:		PANDUIT™	
UNLESS OTHERWISE SPECIFIED, DIMENSIONAL TOLERANCES ARE: IN (mm)		STEEL	
.x : .xx :	.xxx :	DRAWING NUMBER:	
.05 (1.3)	ANGLES :	09D017DU - DC	
THIRD ANGLE PROJECTION		SHT 1 OF 1	

REV	DATE	BY	CHK	APR	DESCRIPTION	ECN	DRAWN BY	DATE	CHK	SCALE	SHT 1 OF 1	SIZE
							JAHA	05-05-10	SL	1/2		A

D101000A/1Z

X-ON Electronics

Largest Supplier of Electrical and Electronic Components

Click to view similar products for [Wire Ducting & Raceways](#) category:

Click to view products by [Panduit](#) manufacturer:

Other Similar products are found below :

[800A-LB](#) [801I-LSP](#) [802A-ECSP](#) [802I-ICSP](#) [923223-000](#) [PRAF6WH-X](#) [A0405538](#) [1301150342](#) [1301160034](#) [1301170070](#) [1301180011](#)
[1301230083](#) [1301230153](#) [1301240273](#) [1301250006](#) [1302261238](#) [1302261321](#) [1302262552](#) [1302263103](#) [1302263178](#) [1302263259](#)
[1302263816](#) [1302263860](#) [1302264375](#) [1302264390](#) [1301150343](#) [1301160030](#) [1301170050](#) [1301170051](#) [1301170061](#) [1301180013](#)
[1301230086](#) [1301230130](#) [1301240054](#) [1302260055](#) [1302260376](#) [1302261343](#) [1302261344](#) [1302262674](#) [1302263095](#) [1302263166](#)
[1302263209](#) [1302263513](#) [1302263851](#) [1302263870](#) [1302264137](#) [1302264218](#) [DD1/J](#) [AX101472](#) [AX102007](#)