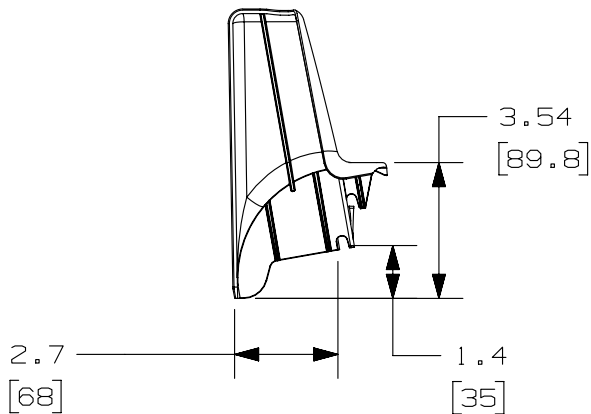
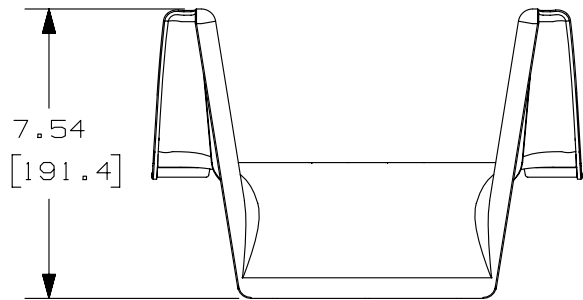
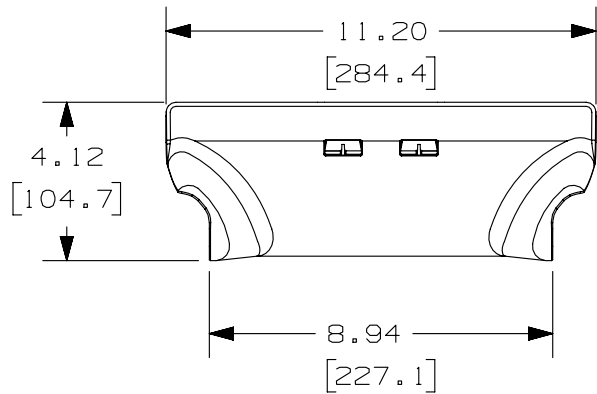
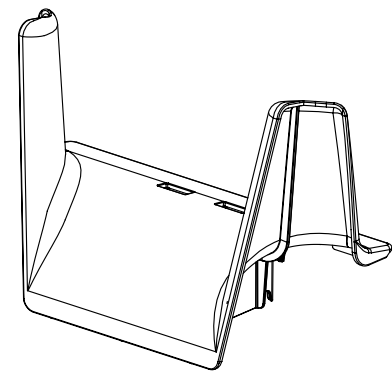


THIS COPY IS PROVIDED ON A RESTRICTED BASIS AND IS NOT TO BE USED IN ANY WAY DETRIMENTAL TO THE INTERESTS OF PANDUIT CORP.



APPROXIMATE DISTANCE FROM SIDE OF WYR-GRID PATHWAY

APPROXIMATE DISTANCE FROM BOTTOM OF WYR-GRID PATHWAY



NOTES:

1. SEE CURRENT CATALOG FOR ADDITIONAL PART SUFFIXES TO INDICATE PACKAGE QUANTITY.
2. FINISH COLOR: BLACK
3. DIMENSIONS IN PARENTHESES ARE METRIC..

PANDUIT PART NUMBER	WEIGHT
WGSWF4	0.52 LB/EACH (234 g/EACH)

TITLE		WYR-GRID 4" SIDE WATERFALL (WGSWF4)	
CUSTOMER DRAWING			
ITEM REVISION NAME		10D145BB/00	
DATASET FILE NAME		10D145BB_DC/00A_WGSWF4	
UNLESS OTHERWISE SPECIFIED, DIMENSIONAL TOLERANCES ARE: IN (mm)		MATERIAL:	
.X ±		.XXX ±	
.XX ±		ANGLES ±	
DRAWING NUMBER:		10D145BB-DC	
DRAWN BY		SSP	
DATE		02-12-13	
CHK		EB	
SCALE		NONE	
SHT 1 OF 1		A	

REV	DATE	BY	CHK	APR	DESCRIPTION	ECN
R	02-12-13	SSP	EB	RN	RELEASED TO PRODUCTION	10D145BB-DC

D10100DA/12

X-ON Electronics

Largest Supplier of Electrical and Electronic Components

Click to view similar products for [Wire Ducting & Raceways](#) category:

Click to view products by [Panduit](#) manufacturer:

Other Similar products are found below :

[800A-LB](#) [801I-LSP](#) [802A-ECSP](#) [802I-ICSP](#) [923223-000](#) [PRAF6WH-X](#) [A0405538](#) [1301150342](#) [1301160034](#) [1301170070](#) [1301180011](#)
[1301230083](#) [1301230153](#) [1301240273](#) [1301250006](#) [1302261238](#) [1302261321](#) [1302262552](#) [1302263103](#) [1302263178](#) [1302263259](#)
[1302263816](#) [1302263860](#) [1302264375](#) [1302264390](#) [1301150343](#) [1301160030](#) [1301170050](#) [1301170051](#) [1301170061](#) [1301180013](#)
[1301230086](#) [1301230130](#) [1301240054](#) [1302260055](#) [1302260376](#) [1302261343](#) [1302261344](#) [1302262674](#) [1302263095](#) [1302263166](#)
[1302263209](#) [1302263513](#) [1302263851](#) [1302263870](#) [1302264137](#) [1302264218](#) [DD1/J](#) [AX101472](#) [AX102007](#)