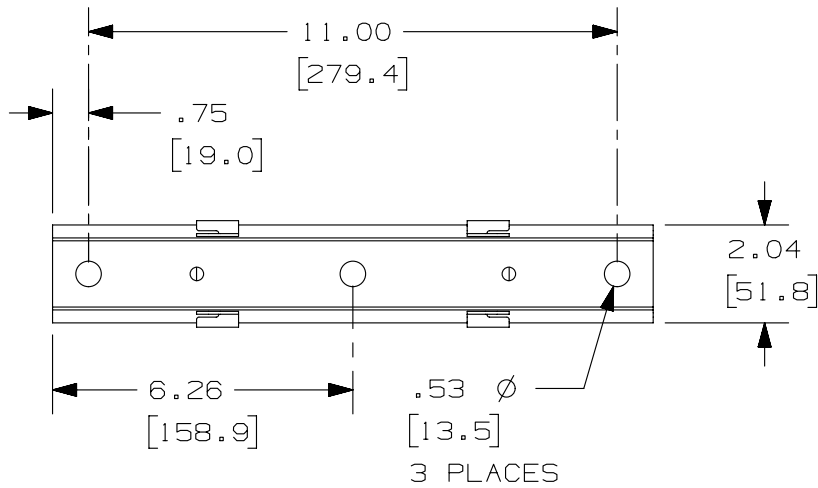


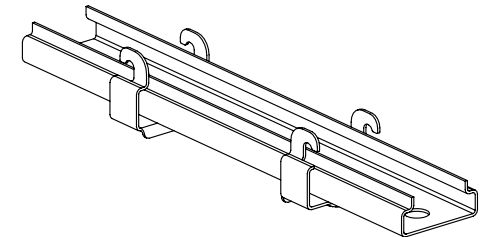
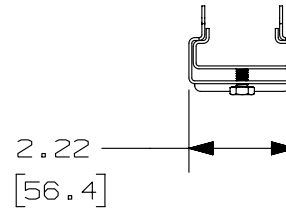
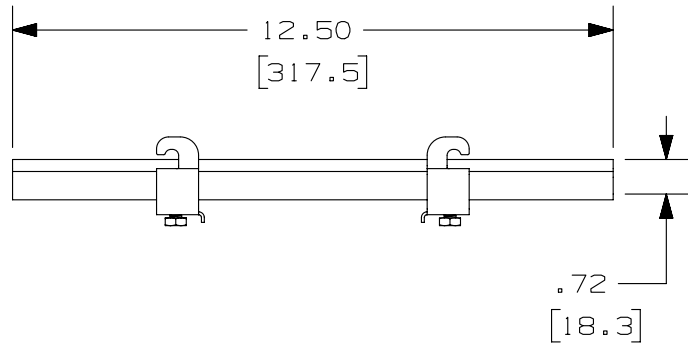
THIS COPY IS PROVIDED ON A RESTRICTED BASIS AND IS NOT TO BE USED IN ANY WAY DETRIMENTAL TO THE INTERESTS OF PANDUIT CORP.



PANDUIT PART NUMBER	WEIGHT
WGTBS8	.98 LBS (445 g)

NOTES:

- SEE CURRENT CATALOG FOR PART NUMBER DESIGNATION FOR TYPE AND COLOR.
- EACH PACKAGE CONSISTS OF:
 (1) WYR-GRID TRAPEZE BRACKET
 (2) WYR-GRID TRAPEZE BRACKET CLIPS
- WYR-GRID TRAPEZE BRACKETS SUPPORT WYR-GRID PATHWAY SUSPENDED FROM 1/2" (M12) THREADED RODS.
- DIMENSIONS IN PARENTHESES ARE METRIC



REV	DATE	BY	CHK	APR	DESCRIPTION	ECN
R	11-13-13	SSP	DWW	RN	RELEASED TO PRODUCTION	12D345AJ-DC

TITLE		WYR-GRID TRAPEZE BRACKET 8" (WGTBS8)	
CUSTOMER DRAWING			
ITEM REVISION NAME		12D345AJ/00	
DATASET FILE NAME		12D345AJ_DC/00A WGTBS8**	
UNLESS OTHERWISE SPECIFIED, DIMENSIONAL TOLERANCES ARE: IN (mm)		MATERIAL:	
.X ± .XX ± .05 [1.3]		STEEL	
.XXX ± ANGLES ±		DRAWING NUMBER:	
THIRD ANGLE PROJECTION		12D345AJ-DC	
DRAWN BY	DATE	CHK	SCALE
SSP	11-13-13	DWW	NONE
SHT 1 OF 1			SIZE
			A

X-ON Electronics

Largest Supplier of Electrical and Electronic Components

Click to view similar products for [Wire Ducting & Raceways](#) category:

Click to view products by [Panduit](#) manufacturer:

Other Similar products are found below :

[800A-LB](#) [801I-LSP](#) [802A-ECSP](#) [802I-ICSP](#) [923223-000](#) [PRAF6WH-X](#) [A0405538](#) [1301150342](#) [1301160034](#) [1301170070](#) [1301180011](#)
[1301230083](#) [1301230153](#) [1301240273](#) [1301250006](#) [1302261238](#) [1302261321](#) [1302262552](#) [1302263103](#) [1302263178](#) [1302263259](#)
[1302263816](#) [1302263860](#) [1302264375](#) [1302264390](#) [1301150343](#) [1301160030](#) [1301170050](#) [1301170051](#) [1301170061](#) [1301180013](#)
[1301230086](#) [1301230130](#) [1301240054](#) [1302260055](#) [1302260376](#) [1302261343](#) [1302261344](#) [1302262674](#) [1302263095](#) [1302263166](#)
[1302263209](#) [1302263513](#) [1302263851](#) [1302263870](#) [1302264137](#) [1302264218](#) [DD1/J](#) [AX101472](#) [AX102007](#)