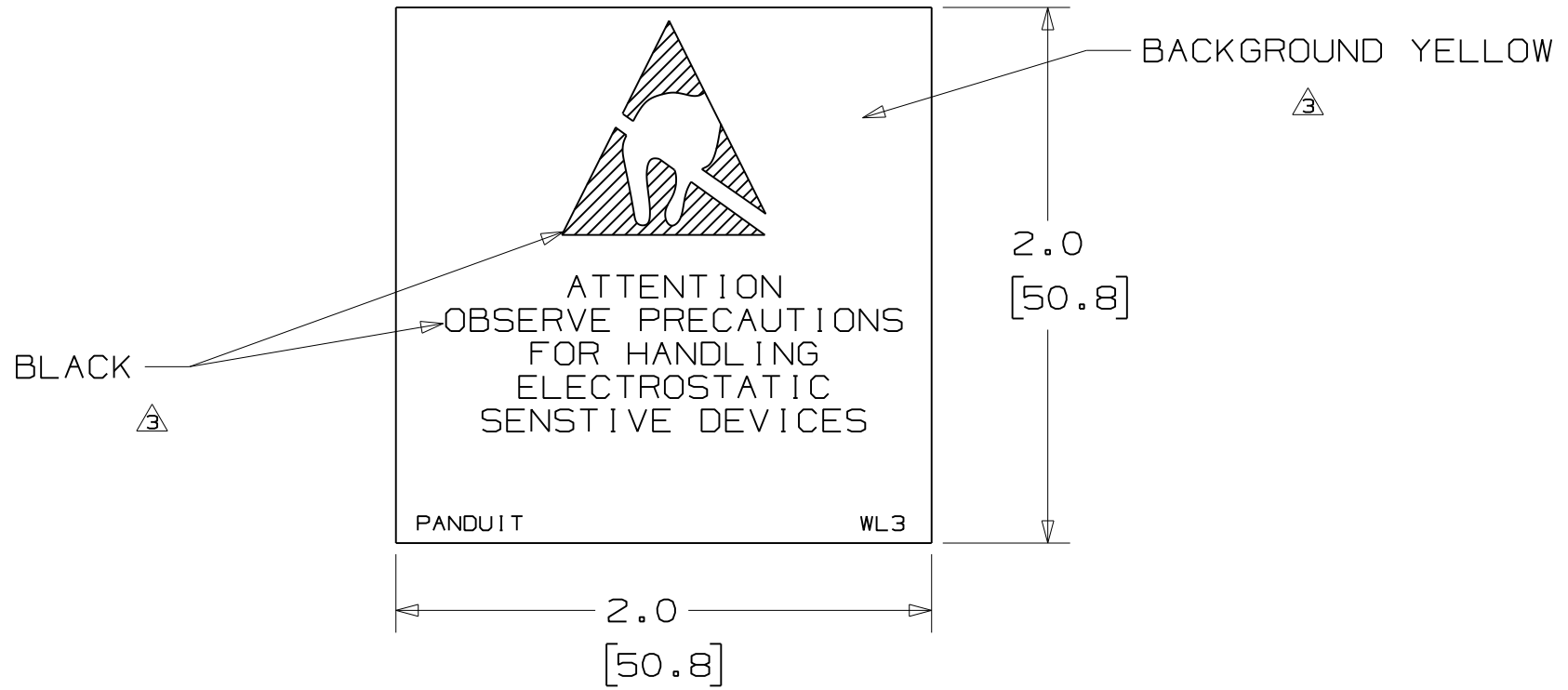


THIS COPY IS PROVIDED ON A RESTRICTED BASIS AND IS NOT TO BE USED IN ANY WAY DETRIMENTAL TO THE INTERESTS OF PANDUIT CORP.



- NOTE:
1. PACKAGE QUANTITY 500/ROLL.
  2. DIMENSIONS IN [ ] ARE IN MILLIMETER.

CAD FILENAME/LAYERS 100619YG\_DC\_C10120/00D

PANDUIT CORP. TINLEY PARK, ILLINOIS

CUSTOMER DRAWING  
WL3 WARNING LABEL

UNLESS OTHERWISE SPECIFIED,  
DIMENSIONAL TOLERANCES ARE:  
(.X) ± .12 (.XXX) ± .020  
(.XX) ± .062 ANGLES ±

UNLESS OTHERWISE SPECIFIED,  
ALL DIMENSIONS ARE GIVEN  
IN INCHES, THIRD ANGLE PROJECTION.

DRAWN BY JM  
DATE 7-20-92  
CHK'D DWY

MAT'L:  
54# SEMI-GLOSS  
PAPER

SCALE NTS  
DRAWING NO. C10120  
DWG SIZE A

REV	DATE	BY	CHK	DESCRIPTION	ECN	R	CUST	SUP
3	01-16-09	JHAC		CHANGED NOTE 1, MAT'L WAS "SEE NOTED", REMOVED TABLE, ADDED CUSTOMER DWG TO TITLE, MAT'L WAS YELLOW VINYL, REMOVED EIA REF.	5615	R		
2	11-25-08	ACCH		VOID				
1	10-1-03	RVU		CHANGED DWG. NO. TO C10120.	3429	R		
R	7-25-92	JM	DWY	DRAWING RELEASE				

## X-ON Electronics

Largest Supplier of Electrical and Electronic Components

*Click to view similar products for [Labels and Industrial Warning Signs](#) category:*

*Click to view products by [Panduit](#) manufacturer:*

Other Similar products are found below :

[ESSW30-025](#) [FTP-020P0704](#) [QC101](#) [QC105](#) [QCC613](#) [132465](#) [142810](#) [15288](#) [15425](#) [18511](#) [HTS795-1](#) [30288](#) [1768021-2](#) [18432](#) [1878679-3](#) [2-1878614-6](#) [PTL-31-427-YL](#) [30239](#) [QC154](#) [QCC612](#) [30545](#) [35070](#) [WM-15-PK](#) [WM-20-PK](#) [5-1768021-6](#) [06770](#) [11197](#) [111852](#) [111932](#) [KMT-02513V-9](#) [06742](#) [8-1768039-4](#) [1878983-4](#) [06736](#) [B422 25X85MM](#) [PAXLBK10](#) [LAT-52-361-1](#) [PTL-20-486](#) [PTL-38-486](#) [PTLFT-01-425](#) [13903](#) [11237](#) [18389](#) [18341](#) [18603](#) [29904](#) [18519](#) [18524](#) [115110](#) [11199](#)