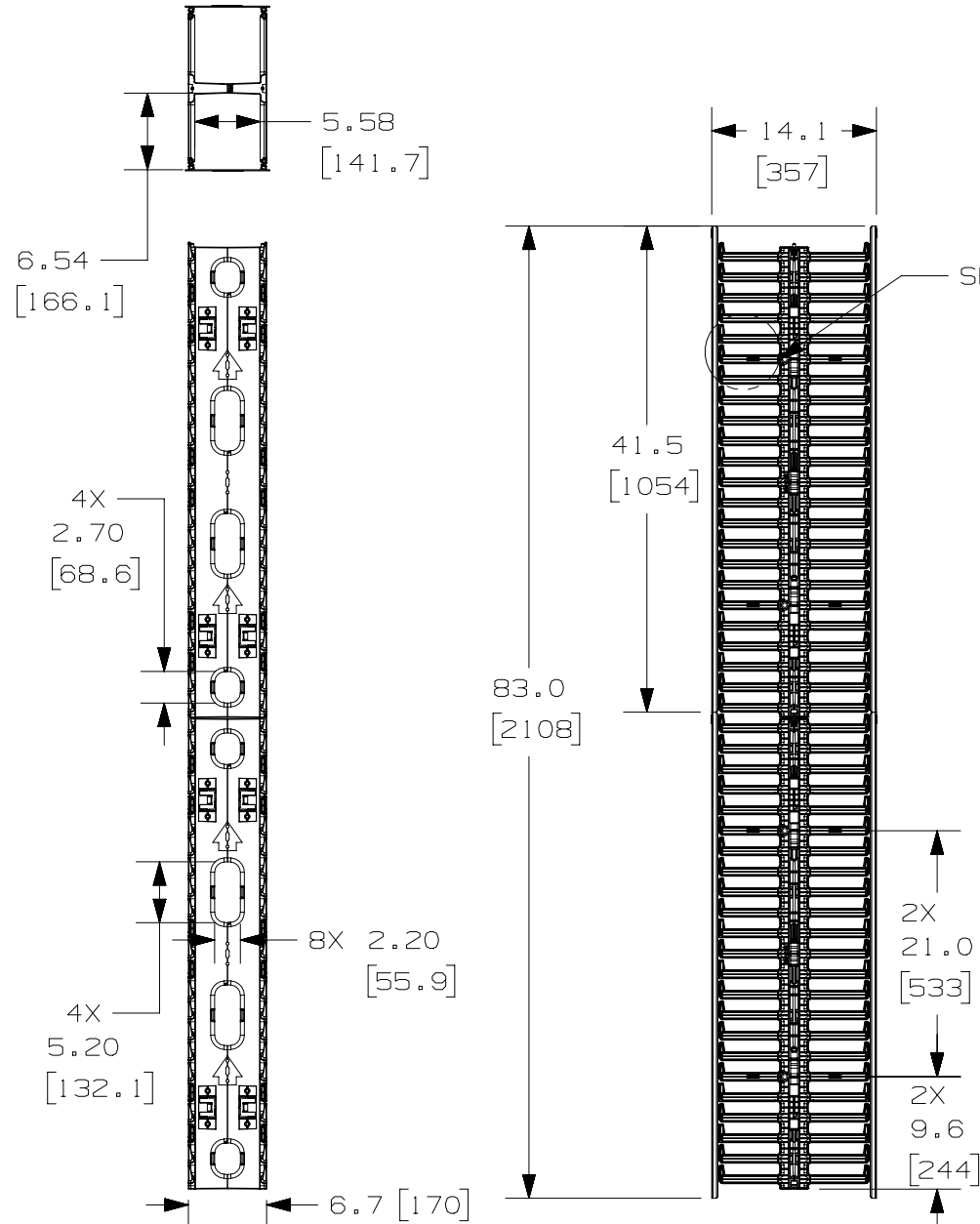
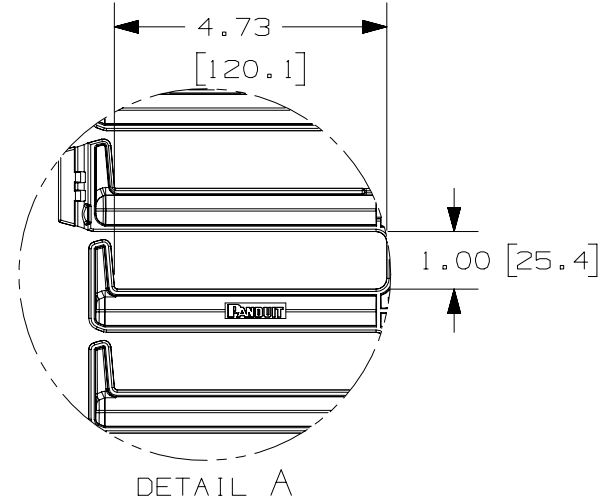


THIS COPY IS PROVIDED ON A RESTRICTED BASIS AND IS NOT TO BE USED IN ANY WAY DETRIMENTAL TO THE INTERESTS OF PANDUIT CORP.



PANDUIT P/N	WEIGHT
WMPVHC45E	23.0 LBS/EACH 10.43 Kg/EACH

- NOTES:
- VISIT OUR ON-LINE CATALOG AT WWW.PANDUIT.COM FOR A CURRENT LIST OF PRODUCTS APPLICABLE FOR USE WITH THIS PART.
 - COMPONENTS:
 - 2- 22.5RU CABLE MANAGEMENT SECTIONS
 - 4- 41.5" DUAL HINGE COVERS
 - 4- MOUNTING BRACKETS
 - 8- #12-24 X 1/2" SCREWS
 - DIMENSIONS IN PARENTHESES ARE METRIC.

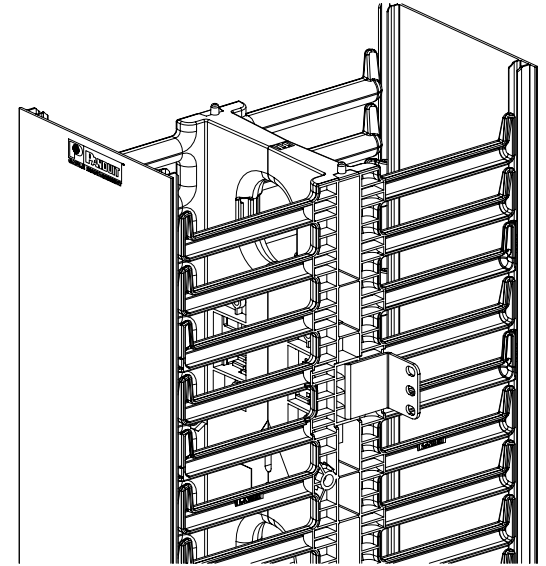
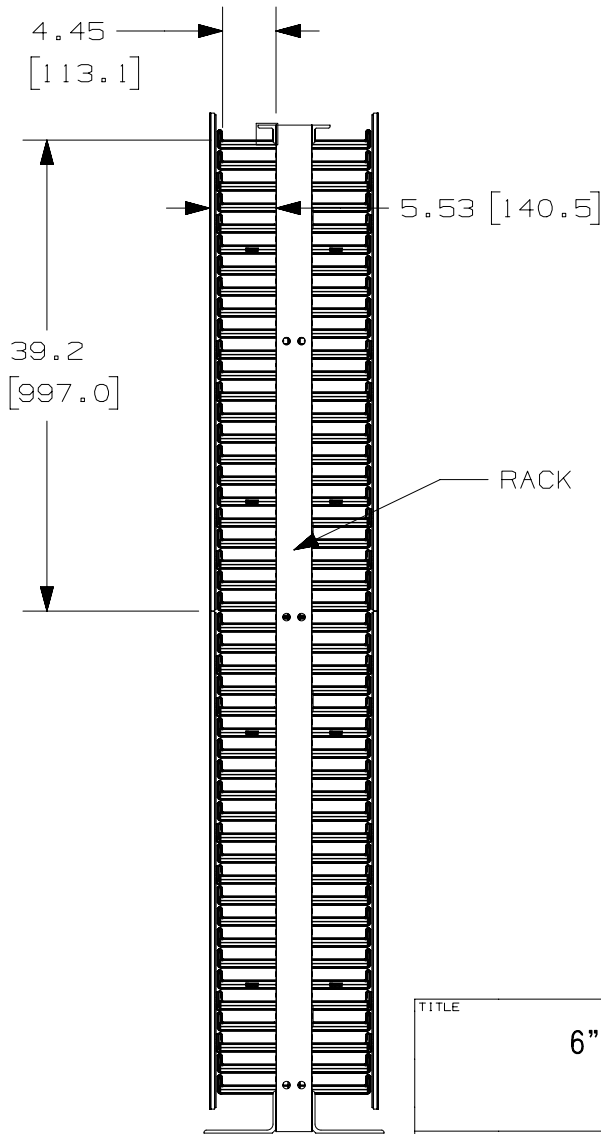
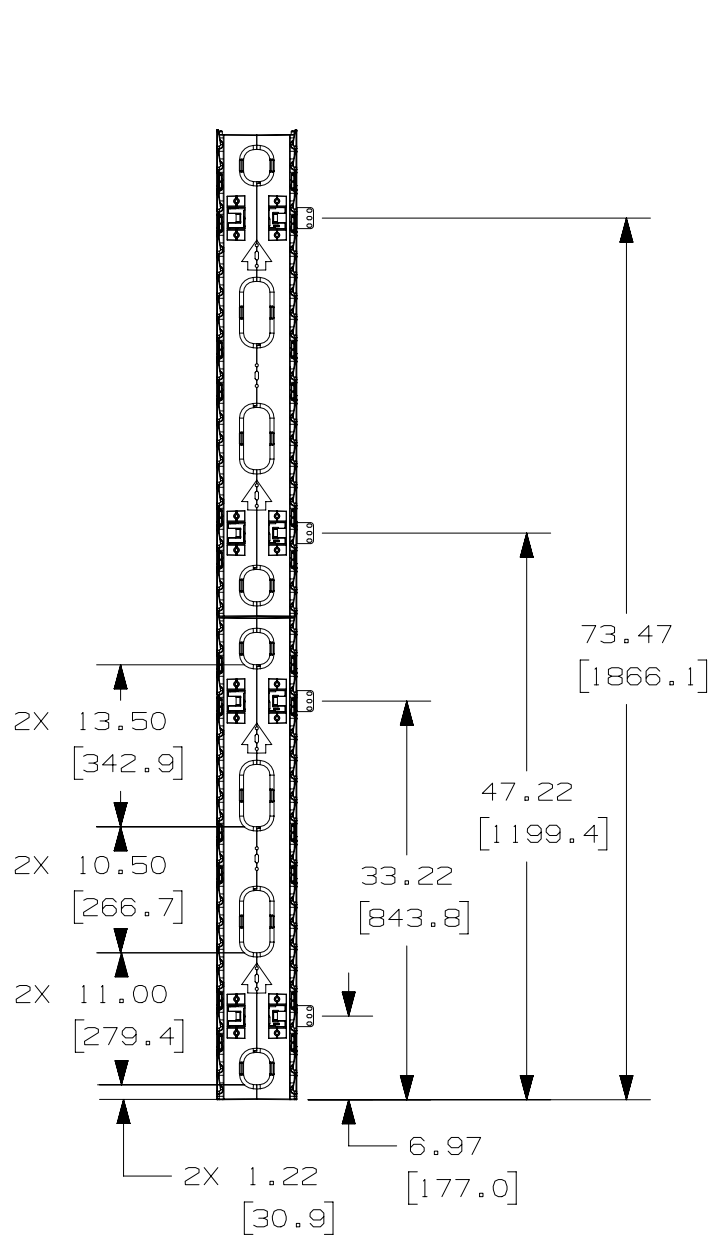


TITLE		6" WIDE VERTICAL CABLE MANAGER WMPVHC45E	
ITEM REVISION NAME		V10225AG/06	
DATASET FILE NAME		V10225AG_DC/06A	
UNLESS OTHERWISE SPECIFIED, DIMENSIONAL TOLERANCES ARE: IN (mm)		MATERIAL:	
.XX ±		CABLE MANAGER- ABS COVER- PVC	
.XXX ±		DRAWING NUMBER:	
ANGLES ±		10225-25	
THIRD ANGLE PROJECTION		SHT 1 OF 2	
DRAWN BY	DATE	CHK	SCALE
JDWE	3-15-05	TCK	NONE
DESCRIPTION		SIZE	
REV		A	

REV	DATE	BY	CHK	APR	DESCRIPTION	ECN
06A	3-30-15	TWV	MACA	KRKE	REMOVED CABLE RETAINERS. REVISED NOTES.	10225-25
05A	6-5-13	BAME	FGR	CMK	REVISED AND REDRAWN; ALL PREVIOUS REVS OMITTED REVISED TITLE BLOCK; UPDATED DIMS ON PAGE 2	10225-25

D101000DA/15

THIS COPY IS PROVIDED ON A RESTRICTED BASIS AND IS NOT TO BE USED IN ANY WAY DETRIMENTAL TO THE INTERESTS OF PANDUIT CORP.



TITLE		6" WIDE VERTICAL CABLE MANAGER WMPVHC45E	
CUSTOMER DRAWING			
ITEM REVISION NAME	V10225AG/06	PANDUIT	
DATASET FILE NAME	V10225AG_DC/06A		
UNLESS OTHERWISE SPECIFIED, DIMENSIONAL TOLERANCES ARE: IN (mm)		MATERIAL:	
.X ±	.XXX ±	CABLE MANAGER- ABS	
.XX ±	ANGLES ±	COVER- PVC	
THIRD ANGLE PROJECTION		DRAWING NUMBER:	
DRAWN BY: JDWE		10225-25	
DATE: 3-15-05	CHK: TCK	SHT 2 OF 2	
SCALE: NONE	SIZE: A		

REV	DATE	BY	CHK	APR	DESCRIPTION	ECN
06A	3-30-15	TWV	MACA	KRKE	SEE SHEET 1 OF 2 FOR REVISIONS	10225-25
05A	6-5-13	BAME	FGR	CMK	SEE SHEET 1 OF 2 FOR REVISIONS	10225-25

D10100DA/15

X-ON Electronics

Largest Supplier of Electrical and Electronic Components

Click to view similar products for [Wire Ducting & Raceways](#) category:

Click to view products by [Panduit](#) manufacturer:

Other Similar products are found below :

[FG5EI25-A](#) [PED12](#) [PED8](#) [PEVEP](#) [FXOE3-10M3](#) [FZD3-3M2](#) [FZLE10-10M2](#) [FZOE10-10M1](#) [FZOLE10-10M2](#) [FZPE3-10M2](#) [923223-000](#)
[PRAF6WH-X](#) [A0405538](#) [1301150342](#) [1301230083](#) [1301150343](#) [1301230086](#) [1301240054](#) [AX101472](#) [AX102652](#) [AX102653](#) [AX102737](#)
[S62DS](#) [S65DS](#) [S75DSH](#) [A0405536](#) [A0405537](#) [A0649869](#) [FXOD3-3M1](#) [FXOE10-10M2](#) [FZLD3-3M2](#) [FZOE3-10M1](#) [FZOE3-10M2](#)
[FZOLE3-10M2](#) [FZOPE10-10M1](#) [FZPD3-3M2](#) [PZRFE4](#) [PZWIFIEN](#) [PZWIFIENA](#) [CNPSNH](#) [CNSPC](#) [5400ES](#) [WDLT-1216-72](#) [655287-000](#)
[S75DS](#) [1301180028](#) [801A-LSP](#) [TGECAW](#) [206461-000](#) [853425-000](#)