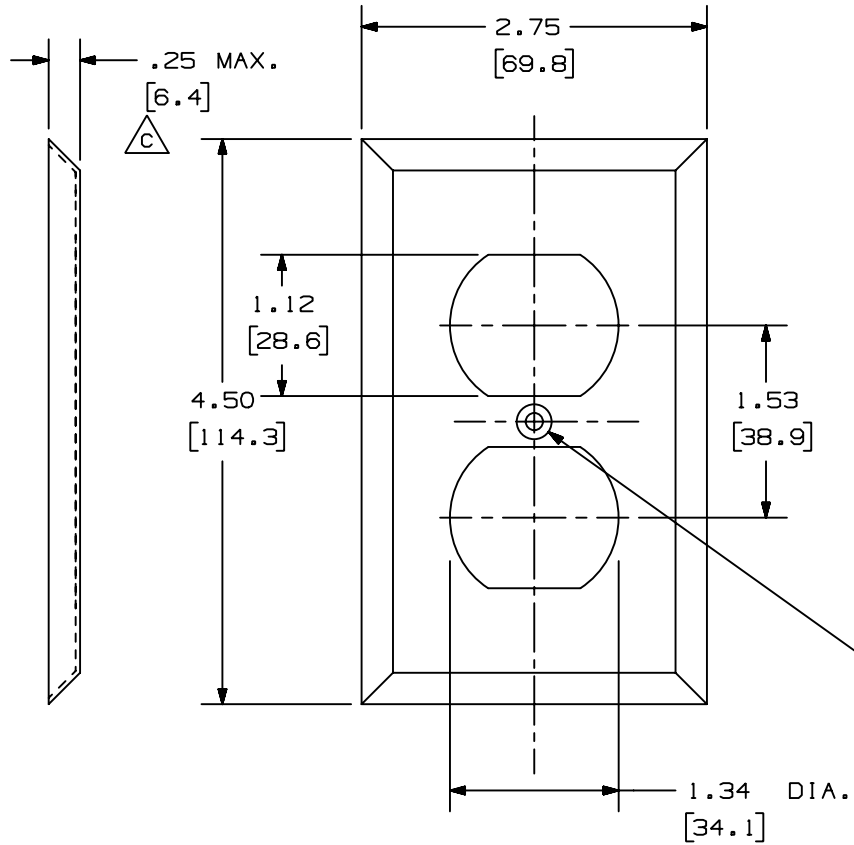


THIS COPY IS PROVIDED ON A RESTRICTED BASIS AND IS NOT TO BE USED IN ANY WAY DETRIMENTAL TO THE INTERESTS OF PANDUIT CORP.



PANDUIT P/N	WEIGHT
WPS-20	1.15 LB/10 PCS (525 g/10 PCS)

NOTES:

1. SEE CURRENT CATALOG FOR ADDITIONAL PART NUMBER SUFFIXES TO INDICATE COLOR AND OR PACKAGE QUANTITY.
2. BRUSH FINISH.
3. ONE #6 X 32 - 1/2" LONG SCREW PROVIDED FOR FASTENING WALLPLATE.
4. DIMENSIONS IN PARENTHESES ARE IN METRIC.

B

A

A

C'SK FOR #6-32 X 1/2" OVAL HEAD SCREW

CAD FILENAME/LAYERS WCPGO-WALLPLATE-2\_02.PRT (16)

PANDUIT CORP. TINLEY PARK, ILLINOIS

WPS-20 WALLPLATE FOR SINGLE GANG DUPLEX RECEPTACLE CUSTOMER DRAWING

UNLESS OTHERWISE SPECIFIED, DIMENSIONAL TOLERANCES ARE:  
(.X) ± (.XXX) ± .010  
(.XX) ± .020 ANGLES ±

UNLESS OTHERWISE SPECIFIED, ALL DIMENSIONS ARE GIVEN IN INCHES, THIRD ANGLE PROJECTION.

REV	DATE	BY	CHK	DESCRIPTION	ECN	CHK	CUST	SUP
2	09-22-98	JBA	CEF	C. REV'D METRIC DIMENSION: WAS .2. B. REV'D NOTES TO CURRENT STANDARD.	34046-24	CEF	CEF	
1	11-07-96	JBA	CEF	A. REV'D NOTE #3: CONTAINS ONE SCREW.	34046-24	CEF		
R	10-29-87	LDB	WJB	RELEASED TO PRODUCTION.	34046-24	WJB		

DRAWN BY L. BENTZ

MAT'L:

SCALE

NONE

DATE 10-29-87

.030" THICK STAINLESS STEEL

DRAWING NO.

34046-24

DWG

A

SIZE

## X-ON Electronics

Largest Supplier of Electrical and Electronic Components

*Click to view similar products for [Wire Ducting & Raceways](#) category:*

*Click to view products by [Panduit](#) manufacturer:*

Other Similar products are found below :

[FG5EI25-A](#) [FXOE3-10M3](#) [FZD3-3M2](#) [FZLE10-10M2](#) [FZOE10-10M1](#) [FZOLE10-10M2](#) [FZPE3-10M2](#) [923223-000](#) [PRAF6WH-X](#)  
[A0405538](#) [1301150342](#) [1301150343](#) [1301230086](#) [1301240054](#) [AX101472](#) [AX102652](#) [AX102653](#) [AX102737](#) [S62DS](#) [S65DS](#) [S75DSH](#)  
[A0405536](#) [A0405537](#) [A0649869](#) [FXOD3-3M1](#) [FXOE10-10M2](#) [FZLD3-3M2](#) [FZOE3-10M1](#) [FZOE3-10M2](#) [FZOLE3-10M2](#) [FZOPE10-10M1](#)  
[FZPD3-3M2](#) [PZRFE4](#) [PZWIFIEN](#) [PZWIFIENA](#) [CNPSNH](#) [CNSPC](#) [5400ES](#) [WDLT-1216-72](#) [655287-000](#) [S75DS](#) [1301180028](#) [801A-LSP](#)  
[TGECAW](#) [853425-000](#) [3066](#) [TTSL6VC3-2.5-Y](#) [TLBP1S-L](#) [FAP6DSCBL](#) [NKFP623RSSSM001](#)