

## specifications

The Gateway EPA126 is installed as part of a primary/secondary topology and provides support for up to six connected power devices, 12 environmental sensors and two access control devices all through a single IP address. The gateway will allow for expansion of additional power devices, without need for additional network ports, using the Gateway EPAX18 Expansion Unit that connects to the base unit. The Gateway EPA126 consolidates all data captured from the connected power devices and sensors and displays baseline operational data through a web interface or via SmartZone™ Software platforms. The gateway supports keypad or card reader devices to provide cabinet access control. The gateway supports the "open" Simple Network Management Protocol (SNMP) to allow monitoring for conditions that warrant administrative attention via any network management system that supports the SNMP protocol, as well as supporting HTTP/HTTPS protocols for remote management capabilities.



## technical information

<b>Model Number:</b>	Eagle-i (U-ZAEI-y)
<b>Dimensions:</b>	18 in. x 4.5 in. x 1.7 in. (465mm x 114mm x 44 mm)
<b>Weight:</b>	4.76 lbs. (2.16Kg); 6.75 lbs. (3.06Kg) packaged
<b>Packaging:</b>	1.98 lbs. (0.9Kg)
<b>Mounting:</b>	19" rack mountable, housed in a 1RU metal case

## key features and benefits

<b>Centralized device management</b>	Connects up to six connected power devices, 12 environmental sensors and two access control devices into one intelligent gateway to consolidate monitoring and management of operational data, simplify troubleshooting, and allow faster polling of data
<b>Single IP address</b>	Allows all connected power devices and sensors to be combined through one single gateway IP address, reducing the need for separate IP ports, IP capital costs, and management overhead
<b>Primary/secondary network topology</b>	Houses the intelligence and power supply for connected devices within the gateway itself to simplify the network architecture and lower overall power consumption
<b>Access and control security</b>	Powers access control card readers on cabinets and manages encrypted access data to support smart card technologies and other readers that enhance data center security
<b>Scalable design</b>	Allows Gateway EPA126 to be attached to the Gateway EPAX18 Expansion Unit to provide additional power device inputs through the gateway's single IP address, enabling cost-effective monitoring scalability and growth
<b>SNMP enabled</b>	Uses open SNMP protocol to provide alerts (traps) on potential service impacting power and environmental conditions to mitigate operational downtime
<b>HTTP/HTTPS web interface</b>	Provides authentication safeguards to securely allow users to configure, monitor, and control the gateway through remote management
<b>SmartZone™ Software platform integration</b>	Consolidates power and environmental data to be utilized by SmartZone™ Software platforms for real-time monitoring and display, management, and automated documentation

## applications

The SmartZone™ Gateway EPA126 is an innovative, SNMP based gateway that simplifies the management of power devices and sensors with one IP address, significantly reducing the number of IP addresses needed in the data center. This management information can then be displayed via an internal web interface or utilized by SmartZone™ Software platforms for real-time monitoring, management, and automated reporting of operational metrics. SmartZone™ Gateways are scalable solutions, ideally suited to brownfield or greenfield data centers and telco areas.

When coupled with the SmartZone™ Gateway EPAX18 Expansion Unit, the number of power devices that can be monitored increases from 6 to 24, significantly improving flexibility and scalability.

The SmartZone™ Gateway EPA126 supports up to six connected power devices, 12 environmental sensors and two access control devices. To enhance cabinet security, the Gateway EPA126 supports keypads or HID card readers, which, when used with electronic handles, provide secure access to the cabinet.

# SmartZone™ Gateway EPA126

## Gateway EPA126 test data

<b>Power Supply</b>	
Input Power	100~240 VAC
Input Connector	2 x IEC C14 Inlet
Power Consumption	(Max) 40W
Additional Information	Isolated supply
Internal PSU	Dual
<b>Operating Environment</b>	
Operating Temperature	32°F to 113°F (0°C to 45°C)
Storage Temperature	14°F to 158°F (-10°C to 70°C)
Operating Humidity	15% to 85% RH
Storage Humidity	5% to 90% RH
MTBF	>100,000 Hrs.
<b>Connectivity and Networking</b>	
Network Type	Ethernet (802.3u)
Network Connection	RJ45
Link Speeds	10/100 Mbps with auto negotiation
Network Indications	Connection LED (Green); Network Speed LED (Yellow)
<b>Sensors</b>	
Number of Inputs	12 sensor inputs
Input Connector	8-way RJ45
Parameters Monitored	Temperature, humidity, smoke, door contact, shock, water, PIR, airflow sensors, and any 0-10 VDC output sensor
Temperature Monitoring Range	32°F to 140°F (0°C to 60°C)
Temperature Monitoring Accuracy	±5% Standard Transducer @ 68°F (20°C)
Humidity Monitoring Range	30% to 90% relative humidity
Humidity Monitoring Accuracy	±5% RH @ 77°F (25°C)
Analogue Resolution	12 Bit A/D for analogue inputs
Additional Information	Inputs are not isolated; auto detection of supported sensors
<b>Access and Control</b>	
Access	2 ports that support 2x5 Keypad or HID Card Reader
Control	4 relay output ports for controlling flashing beacons, or electronic handles
<b>PDU Monitoring and Control</b>	
Number of Inputs	6 inputs for connected power monitoring devices
PDU In/Out Connector	RJ45
Parameters Monitored	Volts, amps, total kVA, total kWh, total power factor, and frequency
Voltage Monitoring Range	0V to 500V
Current Monitoring Range	0A to 65A
kWh Monitoring Range	0 kWh to 429496729 kWh
kWh Monitoring Accuracy	Dependent on PDU
kWh Monitoring Accuracy	Dependant on PDU

# SmartZone™ Gateway EPA126

## Gateway EPA126 test data (continued)

<b>Output Relays</b>	
Number of Outputs	4
Output Connectors	WeidMuller (Output 1 and 2), Screw lock Pheonix Contact (Output 3 and 4)
Output Connections	Normally Open, Common, Normally Closed
Maximum Switching	48V at 1A (Resistive Load)
Additional Information	12V DC Output fused at 1AMP available on Weidmuller connector
<b>Monitoring and Configuration</b>	
The following monitoring and configuration methods are provided	Web management interface via HTTP or HTTPS (Secure); Configurable SNMP and email alarm messages
Compliance	UL 60950-1 2nd edition, CAN/CSA-C22.2 No. 60950-1-07 Incl. Amd 1, CAN/CSA-CISPR 22-10, FCC Part 15B.Emissions
<b>LCD Status Monitor</b>	
The optional backlit LCD status monitor can display the following	Summary page displaying configured PDUs and inputs 1 and 2, all 6 digital inputs and all 4 PDUs, alternative display via selector switches
The following system information is also available	Firmware version, IP address, sub-net mask, gateway, MAC address
Additional Information	Backlit, powered from unit (no additional power source required)
<b>Front Panel Indicators</b>	
Green LED Network	Ethernet connection present (flashing indicates traffic present)
Yellow LED Network Speed	Off indicates 10Mbps network; On indicates 100Mbps network link
Green LED CPU Status	Flash indicates correct operation of the Gateway EPA126
Red LED Alarm Status	One or more sensor input has exceeded a pre-set threshold
Blue LED	Internal low voltage power supply is within range
Yellow LED AC Feed A	Presence of AC power on input Feed A
Yellow LED AC Feed B	Presence of AC power on input Feed B
<b>Rear Panel Indicators</b>	
Green LED CPU Status	Flashing indicates PDU Expansion Units CPU alive
Blue LED Power ON	Internal low voltage power supply is within range
Red LED Alarm Status	One or more sensor input has exceeded a pre-set threshold

## part numbers

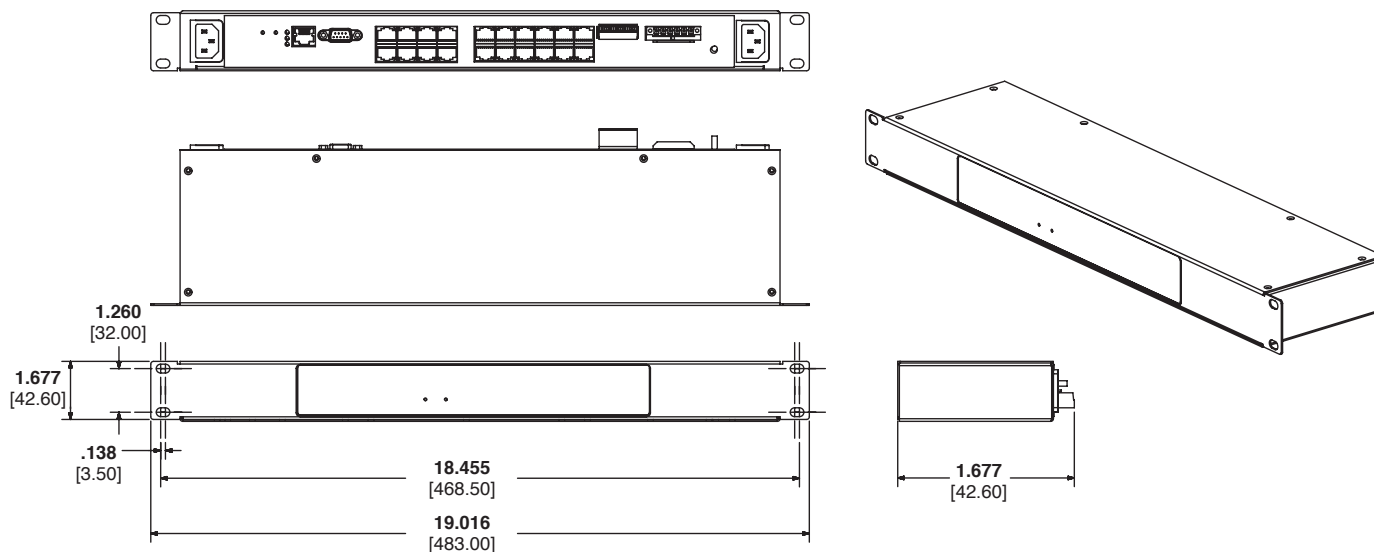
<b>Gateway EPA126</b>	
ZAEI-01	SmartZone™ Gateway EPA126 – UK-IEC power cable
ZAEI-01-99	SmartZone™ Gateway EPA126 – no power cable
ZAEI-01-NA	SmartZone™ Gateway EPA126 – NEMA 5-15 power cable
ZAEI-01-UNI	SmartZone™ Gateway EPA126 – IEC-IEC power cable
<b>Gateway EPAX18 Expansion Unit</b>	
ZAEIEXP01	SmartZone™ Gateway EPAX18 Expansion Unit – UK-IEC power cable
ZAEIEXP0199	SmartZone™ Gateway EPAX18 Expansion Unit – no power cable
ZAEIEXP01NA	SmartZone™ Gateway EPAX18 Expansion Unit – IEC - NEMA 5-15 power cable
ZAEIEXP01UNI	SmartZone™ Gateway EPAX18 Expansion Unit – IEC power leads (2x IEC-IEC)

# SmartZone™ Gateway EPA126

## part numbers (continued)

Sensors	
ZAPDUMODKIT	External LCD Display Kit with Case Enclosure
FLABEA-01	Flashing Beacon with No Sounder
FLABEA-02	Flashing Beacon with Sounder
ZEAIR-02	Airflow Sensor
ZECRDRKIT-01	HID Access Control Card Reader
ZEDIC05-01	Digital Input Sensor
ZEDL05-01	Door Contact Sensor (micro switch type)
ZEDL05-02	Door Contact Sensor (magnetic type)
ZEKPKIT-01	Keypad Kit
ZEPIR-04	PIR Sensor
ZESS04-01	Shock Sensor
ZETHL-10	Humidity Sensor
ZETHL-12	Temperature Sensor
ZETHL-13	External Temperature Sensor
ZEWD3-05	Water Sensor (contact type)
ZEWS-03-03	Water Sensor (rope type)

## Gateway EPA126 dimensions



Dimensions are in inches. [Dimensions in brackets are metric].

### WORLDWIDE SUBSIDIARIES AND SALES OFFICES

PANDUIT CANADA  
Markham, Ontario  
cs-cdn@panduit.com  
Phone: 800.777.3300

PANDUIT EUROPE LTD.  
London, UK  
cs-emea@panduit.com  
Phone: 44.20.8601.7200

PANDUIT SINGAPORE PTE. LTD.  
Republic of Singapore  
cs-ap@panduit.com  
Phone: 65.6305.7575

PANDUIT JAPAN  
Tokyo, Japan  
cs-japan@panduit.com  
Phone: 81.3.6863.6000

PANDUIT LATIN AMERICA  
Guadalajara, Mexico  
cs-la@panduit.com  
Phone: 52.33.3777.6000

PANDUIT AUSTRALIA PTY. LTD.  
Victoria, Australia  
cs-aus@panduit.com  
Phone: 61.3.9794.9020

For a copy of Panduit product warranties, log on to [www.panduit.com/warranty](http://www.panduit.com/warranty)

For more information

Visit us at [www.panduit.com](http://www.panduit.com)

Contact Customer Service by email: [cs@panduit.com](mailto:cs@panduit.com)  
or by phone: 800.777.3300

**PANDUIT**®

© 2017 Panduit Corp.  
ALL RIGHTS RESERVED.  
PVSP130--WW-ENG  
1/2017

## X-ON Electronics

Largest Supplier of Electrical and Electronic Components

*Click to view similar products for [Industrial Humidity Sensors](#) category:*

*Click to view products by [Panduit](#) manufacturer:*

Other Similar products are found below :

[238169190001](#) [HTUF3535PVBM](#) [01411.2-00](#) [01420.2-00](#) [HIH8130-021-001](#) [TH06](#) [HIH-4000-003](#) [3.000.074](#) [1-100726-01](#) [1-100706-01](#) [1-101461-01](#) [1-101385-01](#) [1-101386-01](#) [1-101484-01](#) [1-101415-01](#) [1-100811-01](#) [T9602-3-A](#) [HIH6021-021-001](#) [HIH6031-000-001](#) [2JCIE-BL01](#) [SHT31-DIS-F2.5kS](#) [I2C-HUTMP](#) [P40254276](#) [T8700-E](#) [HUMI-DP-XR-S](#) [AR250/U](#) [1-100707-01](#) [1-100769-01](#) [1-101466-01](#) [1-101388-01](#) [1-101465-01](#) [1-101110-01](#) [SY-DS-1L](#) [AR250/I](#) [AR252/LCD/U](#) [RC-SPC1K](#) [MB-AHT-1](#) [AR252/LCD/I](#) [T8700](#) [T9602-3-A-1](#) [T9602-3-D](#) [T9602-3-D-1](#) [T9602-5-A](#) [T9602-5-A-1](#) [T9602-5-D](#) [T9602-5-D-1](#) [HDS10](#) [AR252/I](#) [AR252/RS485](#) [AR252/U](#)