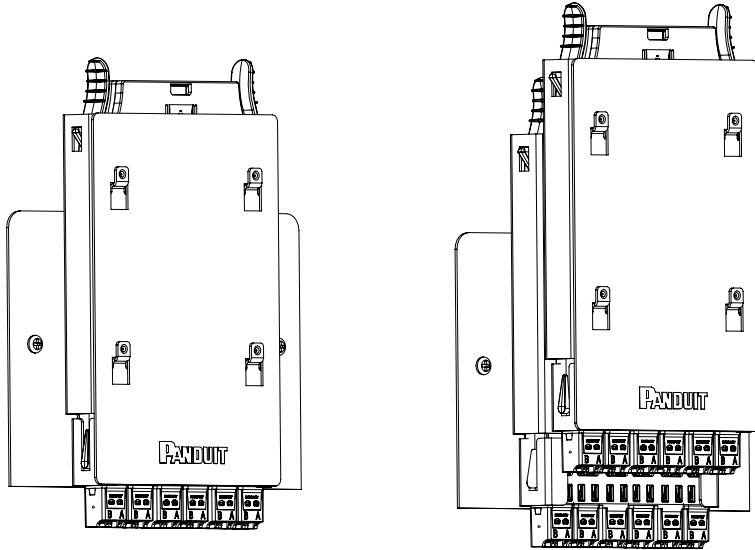


PART NUMBER	DESCRIPTION
ZFLEX1	HD Flex Cassette mounting bracket for one 6-port cassette in Network Zone System
ZFLEX2	HD Flex Cassette mounting bracket for two 6-port cassettes in Network Zone System

NOTES:

- ZFLEX1 - HD Flex Cassette Mounting Bracket for 6-Port Cassette in Network Zone Systems includes:
 - (1) Enclosure Stack Base
 - (2) #6-32 x 5/16" Screws
 - (1) Enclosure Stack Bracket
 - (1) Stack Bracket Cover
- ZFLEX2 - HD Flex Cassette Mounting Bracket for 12-Port Cassette in Network Zone Systems includes:
 - (1) Enclosure Stack Base
 - (2) #6-32 x 5/16" Screws
 - (2) Enclosure Stack Bracket
 - (1) Stack Bracket Cover
- ZFLEX1 and ZFLEX2 Cassette Mounting Brackets are compatible with the following Panduit Fiber Optic Cassettes:
 - FHCZO-12-*
 - FHCZA-12-*
 - FHSZO-12-*
 - FHSZA-12-*
 - FHSXO-12-*
 - FHSXN-12-*
 - FHC9N-12-*
 - FHC39N-08-*
 - FHCXO-12-*
 - FHS9N-12-*



ZFLEX1

ZFLEX2

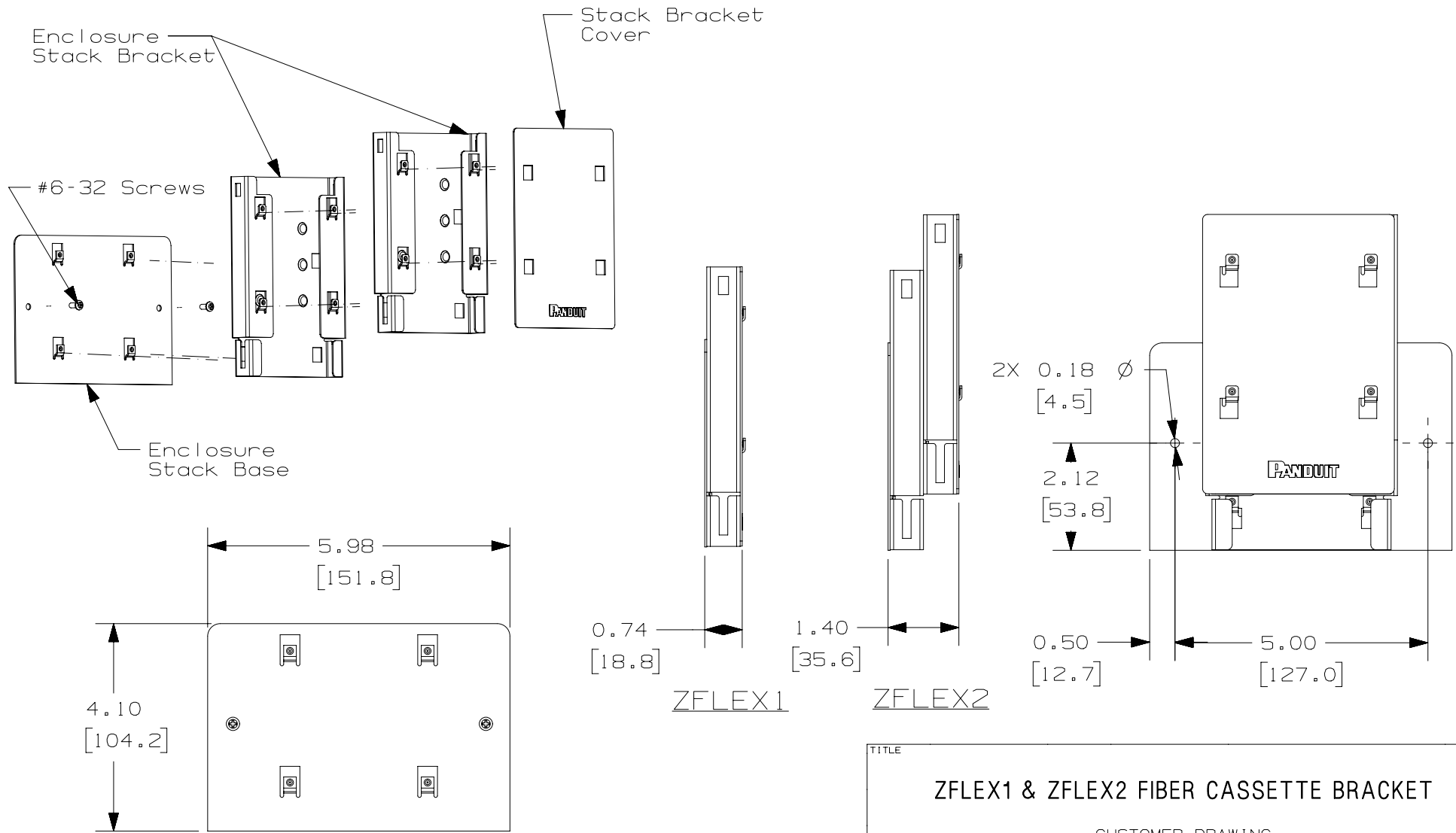
Cassettes shown, but not included

TITLE		ZFLEX1 & ZFLEX2 FIBER CASSETTE BRACKET	
CUSTOMER DRAWING			
ITEM REVISION NAME		15V510EB/00	
DATASET FILE NAME		15V510EB_DC/00A	
UNLESS OTHERWISE SPECIFIED, DIMENSIONAL TOLERANCES ARE: IN (mm)		MATERIAL:	
.x ± .1 (2.54) .xxx ± .005 (.127)		N/A	
.xx ± .01 (.25) ANGLES ± 5 °		DRAWING NUMBER:	
THIRD ANGLE PROJECTION		15V510EB	
DRAWN BY	DATE	CHK	SCALE
JBO	9/21/17	NWW	1:10
SHT 1 OF 3		SIZE	
A			

REV	DATE	BY	CHK	APR	DESCRIPTION	ECN
00A	9/21/17	JBO	NWW	TIMH	RELEASED TO CUSTOMER	15V510EB

D10100DA/14

THIS COPY IS PROVIDED ON A RESTRICTED BASIS AND IS NOT TO BE USED IN ANY WAY DETRIMENTAL TO THE INTERESTS OF PANDUIT CORP.



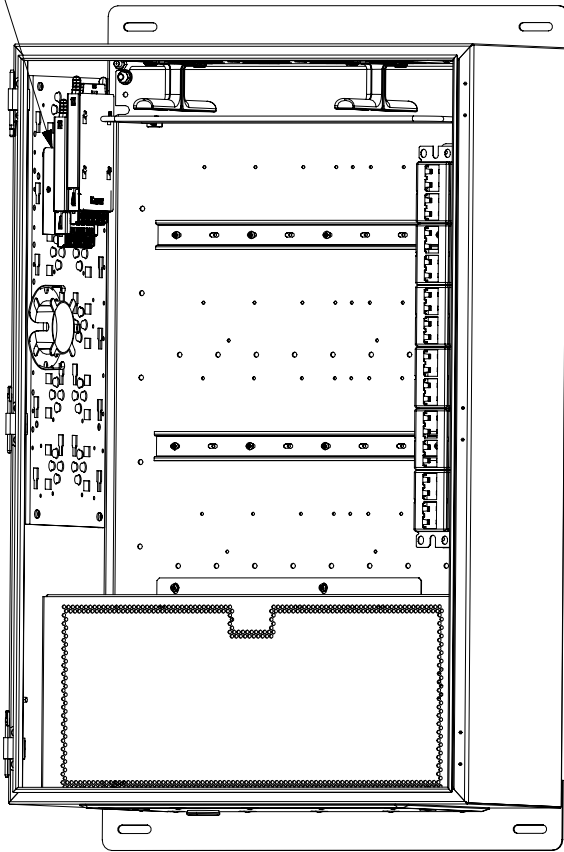
TITLE		ZFLEX1 & ZFLEX2 FIBER CASSETTE BRACKET	
CUSTOMER DRAWING			
ITEM REVISION NAME	15V510EB/00	PANDUIT	
DATASET FILE NAME	15V510EB_DC/00A		
UNLESS OTHERWISE SPECIFIED, DIMENSIONAL TOLERANCES ARE: IN (mm)		MATERIAL:	
.x ± .1 [2.54]	.xxx ± .005 [.127]	N/A	
.xx ± .01 [.25]	ANGLES ± 5 °	DRAWING NUMBER:	
THIRD ANGLE PROJECTION		15V510EB	
DRAWN BY	DATE	CHK	SCALE
JBO	9/21/17	NWW	1:10
SHT 2 OF 3		SIZE	
A		A	

00A	9/21/17	JBO	NWW	TIMH	RELEASED TO CUSTOMER	15V510EB
REV	DATE	BY	CHK	APR	DESCRIPTION	ECN

D10100DA/14

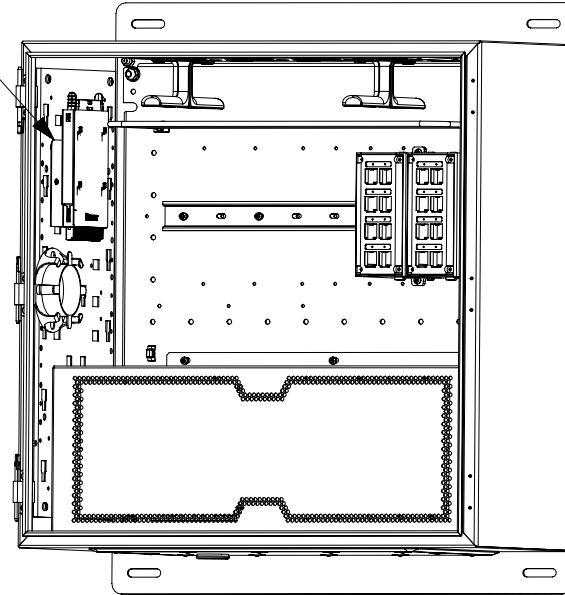
Mounting Location Within Zone Enclosure

ZFLEX2
mounted
here



ZFLEX2 IN Z23

ZFLEX1
mounted
here



ZFLEX1 IN Z22

TITLE									
ZFLEX1 & ZFLEX2 FIBER CASSETTE BRACKET									
CUSTOMER DRAWING									
ITEM REVISION NAME					15V510EB/00				
DATASET FILE NAME					15V510EB_DC/00A				
UNLESS OTHERWISE SPECIFIED, DIMENSIONAL TOLERANCES ARE: IN [mm]									
.x ± .1 [2.54]					.xxx ± .005 [.127]				
.xx ± .01 [.25]					ANGLES ± 5 °				
					THIRD ANGLE PROJECTION				
DRAWN BY		DATE		CHK		SCALE		DRAWING NUMBER:	
JBO		9/21/17		NWW		1:10		15V510EB	
REV					DESCRIPTION				
00A					RELEASED TO CUSTOMER				
DATE					ECN				
9/21/17					15V510EB				
BY					SHT 3 OF 3				
JBO					A				
CHK					SIZE				
NWW					A				
APR									

X-ON Electronics

Largest Supplier of Electrical and Electronic Components

Click to view similar products for [Mounting Fixings](#) category:

Click to view products by [Panduit](#) manufacturer:

Other Similar products are found below :

[5912235-1 REV](#) - [5912235-2](#) [007541](#) [627](#) [M3783-7001](#) [71-074914-006](#) [71-146610-6H](#) [71-441549-19S](#) [75-69211-3P](#) [75-69214-6P](#) [75-69220-27S](#) [75-69224-5S](#) [7717-8DAP](#) [85047GULPT](#) [85048GBESR](#) [FPK-02-R10](#) [PMS27488-001-01](#) [1-18023-0](#) [H-118-2](#) [D83999/20WC8SN](#)
[DB1](#) [1302030464](#) [DC31-14W19PN](#) [DC31-14W19PW](#) [DC32-18W32SN](#) [DC36-18-32SW](#) [DC36-18-32SX](#) [DC37-14-19PW](#) [DC37-22-21PX](#)
[1302010957](#) [1302263564](#) [1302340393](#) [1404-0016-78](#) [14540](#) [149331-9811](#) [1561-60](#) [1566](#) [1566](#) [17542](#) [BR16A](#) [HS5659MB98PN](#)
[NT20SATT01](#) [201C5058-01-201 REV E](#) [22594-8](#) [KBB-141](#) [89078GBESR](#) [915060](#) [SF4011-60101](#) [97-CS-50](#) [1671](#)