

## BZQ55-C2V4 SERIES

### SURFACE MOUNT ZENER DIODES

**VOLTAGE** 2.4 to 75 Volt

**POWER** 500 mWatt

**QUADRO-MELF**

Unit : inch(mm)

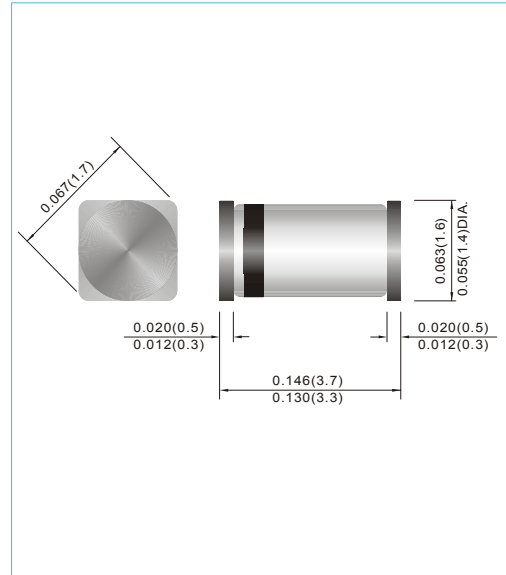
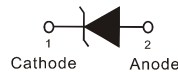
#### FEATURES

- Planar Die construction
- 500mW Power Dissipation
- Ideally Suited for Automated Assembly Processes
- Lead free in compliance with EU RoHS 2.0

#### MECHANICAL DATA

- Case: Molded Glass QUADRO-MELF
- Terminals: Solderable per MIL-STD-750, Method 2026
- Polarity: See Diagram Below
- Approx. Weight: 0.001 ounces, 0.03 grams
- Packing information

T/R - 2.5K per 7" plastic Reel



### MAXIMUM RATINGS AND ELECTRICAL CHARACTERISTICS

Parameter	Symbol	Value	Units
Power Dissipation at $T_A = 25^\circ\text{C}$	$P_{TOT}$	500	mW
Junction Temperature	$T_J$	175	$^\circ\text{C}$
Storage Temperature Range	$T_S$	-65 to +175	$^\circ\text{C}$

Valid provided that leads at a distance of 8mm from case are kept at ambient temperature.

Parameter	Symbol	Min.	Typ.	Max.	Units
Thermal Resistance Junction to Ambient Air	$R_{\theta JA}$	--	--	0.3	$^\circ\text{C}/\text{mW}$
Forward Voltage at $I_F = 200\text{mA}$	$V_F$	--	--	1.5	V

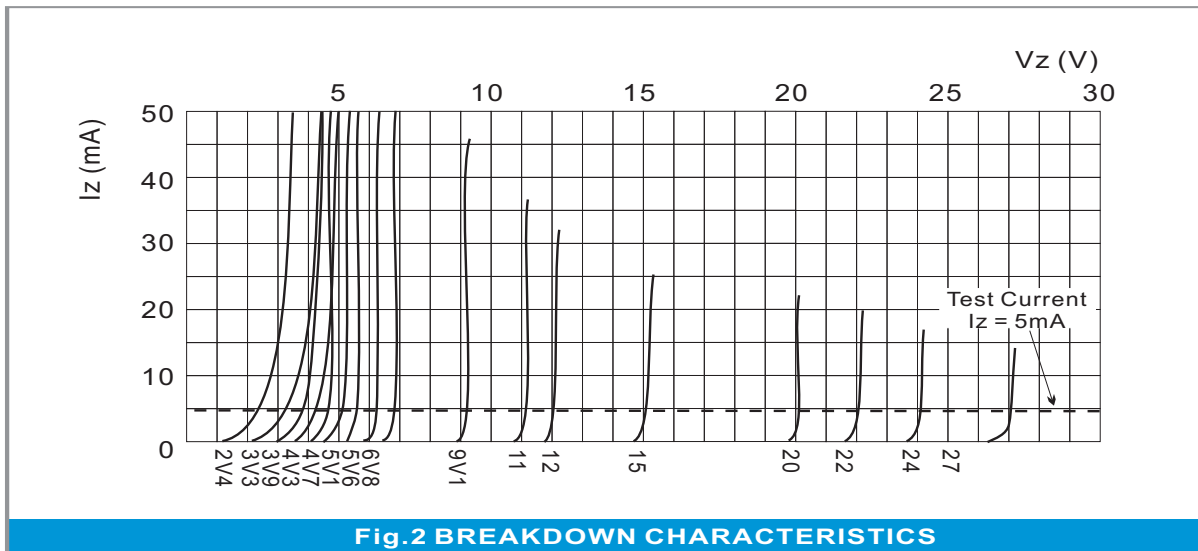
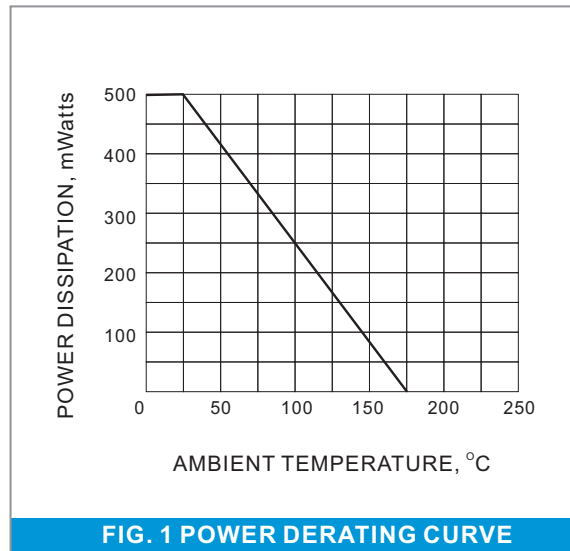
Valid provided that leads at a distance of 8mm from case are kept at ambient temperature.

## BZQ55-C2V4 SERIES

Part Number	Nominal Zener Voltage			Max. Zener Impedance				Max Reverse Leakage Current	
	Vz @ IzT			ZzT @ IzT		Zzk @ Izk		Ir @ Vr	
	Nom. V	Min. V	Max. V	Ω	mA	Ω	mA	uA	V
BZQ55-C2V4	2.4	2.28	2.56	85	5	600	1	50	1
BZQ55-C2V7	2.7	2.5	2.9	85	5	600	1	10	1
BZQ55-C3V0	3	2.8	3.2	85	5	600	1	4	1
BZQ55-C3V3	3.3	3.1	3.5	85	5	600	1	2	1
BZQ55-C3V6	3.6	3.4	3.8	85	5	600	1	2	1
BZQ55-C3V9	3.9	3.7	4.1	85	5	600	1	2	1
BZQ55-C4V3	4.3	4	4.6	75	5	600	1	1	1
BZQ55-C4V7	4.7	4.4	5	60	5	600	1	0.5	1
BZQ55-C5V1	5.1	4.8	5.4	35	5	550	1	0.1	1
BZQ55-C5V6	5.6	5.2	6	25	5	450	1	0.1	1
BZQ55-C6V2	6.2	5.8	6.6	10	5	200	1	0.1	2
BZQ55-C6V8	6.8	6.4	7.2	8	5	150	1	0.1	3
BZQ55-C7V5	7.5	7	7.9	7	5	50	1	0.1	5
BZQ55-C8V2	8.2	7.7	8.7	7	5	50	1	0.1	6
BZQ55-C9V1	9.1	8.5	9.6	10	5	50	1	0.1	7
BZQ55-C10	10	9.4	10.6	15	5	70	1	0.1	7.5
BZQ55-C11	11	10.4	11.6	20	5	70	1	0.1	8.5
BZQ55-C12	12	11.4	12.7	20	5	90	1	0.1	9
BZQ55-C13	13	12.4	14.1	26	5	110	1	0.1	10
BZQ55-C15	15	13.8	15.6	30	5	110	1	0.1	11
BZQ55-C16	16	15.3	17.1	40	5	170	1	0.1	12
BZQ55-C18	18	16.8	19.1	50	5	170	1	0.1	14
BZQ55-C20	20	18.8	21.2	55	5	220	1	0.1	15
BZQ55-C22	22	20.8	23.3	55	5	220	1	0.1	17
BZQ55-C24	24	22.8	25.6	80	5	220	1	0.1	18
BZQ55-C27	27	25.1	28.9	80	5	220	1	0.1	20
BZQ55-C30	30	28	32	80	5	220	1	0.1	22
BZQ55-C33	33	31	35	80	5	220	1	0.1	24
BZQ55-C36	36	34	38	80	5	220	1	0.1	27
BZQ55-C39	39	37	41	90	2.5	500	0.5	0.1	30
BZQ55-C43	43	40	46	90	2.5	600	0.5	0.1	33
BZQ55-C47	47	44	50	110	2.5	700	0.5	0.1	36
BZQ55-C51	51	48	54	125	2.5	700	0.5	0.1	39
BZQ55-C56	56	52	60	135	2.5	1000	0.5	0.1	43
BZQ55-C62	62	58	66	150	2.5	1000	0.5	0.1	47
BZQ55-C68	68	64	72	200	2.5	1000	0.5	0.1	51
BZQ55-C75	75	70	79	250	2.5	1500	0.5	0.1	56

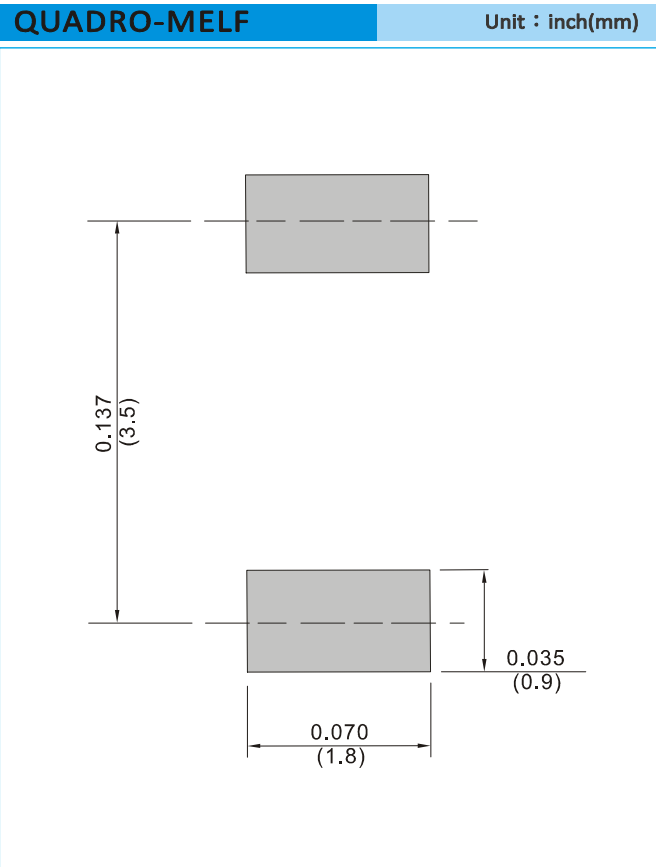
## BZQ55-C2V4 SERIES

### RATING AND CHARACTERISTIC CURVES



## BZQ55-C2V4 SERIES

### MOUNTING PAD LAYOUT



### ORDER INFORMATION

- Packing information  
T/R - 10K per 13" plastic Reel  
T/R - 2.5K per 7" plastic Reel

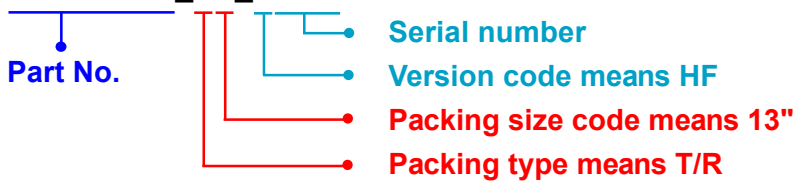
## BZQ55-C2V4 SERIES

Part No\_packing code\_Version

BZQ55-C2V4\_R2\_10001

For example :

**RB500V-40\_R2\_00001**



Packing Code <b>XX</b>				Version Code <b>XXXXX</b>		
Packing type	1 <sup>st</sup> Code	Packing size code	2 <sup>nd</sup> Code	HF or RoHS	1 <sup>st</sup> Code	2 <sup>nd</sup> ~5 <sup>th</sup> Code
Tape and Ammunition Box (T/B)	A	N/A	0	HF	0	serial number
Tape and Reel (T/R)	R	7"	1	RoHS	1	serial number
Bulk Packing (B/P)	B	13"	2			
Tube Packing (T/P)	T	26mm	X			
Tape and Reel (Right Oriented) (TRR)	S	52mm	Y			
Tape and Reel (Left Oriented) (TRL)	L	PANASERT T/B CATHODE UP (PBCU)	U			
FORMING	F	PANASERT T/B CATHODE DOWN (PBCD)	D			

## BZQ55-C2V4 SERIES

---

### Disclaimer

- Reproducing and modifying information of the document is prohibited without permission from Panjit International Inc..
- Panjit International Inc. reserves the rights to make changes of the content herein the document anytime without notification. Please refer to our website for the latest document.
- Panjit International Inc. disclaims any and all liability arising out of the application or use of any product including damages incidentally and consequentially occurred.
- Panjit International Inc. does not assume any and all implied warranties, including warranties of fitness for particular purpose, non-infringement and merchantability.
- Applications shown on the herein document are examples of standard use and operation. Customers are responsible in comprehending the suitable use in particular applications. Panjit International Inc. makes no representation or warranty that such applications will be suitable for the specified use without further testing or modification.
- The products shown herein are not designed and authorized for equipments requiring high level of reliability or relating to human life and for any applications concerning life-saving or life-sustaining, such as medical instruments, transportation equipment, aerospace machinery et cetera. Customers using or selling these products for use in such applications do so at their own risk and agree to fully indemnify Panjit International Inc. for any damages resulting from such improper use or sale.
- Since Panjit uses lot number as the tracking base, please provide the lot number for tracking when complaining.

## X-ON Electronics

Largest Supplier of Electrical and Electronic Components

*Click to view similar products for [Zener Diodes](#) category:*

*Click to view products by [Panjit](#) manufacturer:*

Other Similar products are found below :

[RKZ13B2KG#P1](#) [DL5234B](#) [EDZTE6113B](#) [1N4682](#) [1N4693](#) [1N4732A](#) [1N4736A](#) [1N4750A](#) [1N4759ARL](#) [1N5241B](#) [1N5365B](#) [1N5369B](#)  
[1N747A](#) [1N964B](#) [1N966B](#) [1N968B](#) [1N972B](#) [JANS1N4974US](#) [JANTX1N5907](#) [1N4692](#) [1N4700](#) [1N4702](#) [1N4704](#) [1N4711](#) [1N4714](#)  
[1N4745ARL](#) [1N4752ARL](#) [1N4760ARL](#) [1N5221B](#) [1N5242BTR](#) [1N5350B](#) [1N5352B](#) [1N961BRR1](#) [1N964BRL](#) [RKZ5.1BKU#P6](#)  
[3SMAJ5946B-TP](#) [3SMAJ5950B-TP](#) [3SMBJ5925B-TP](#) [MMSZ5230BQ-13-F](#) [MMSZ5232BQ-13-F](#) [BZX84C7V5](#) [3SMAJ5945B-TP](#)  
[3SMAJ5947B-TP](#) [3SMBJ5941B-TP](#) [DL4732A-T3](#) [DZ2S240M0L](#) [SMAZ27-TP](#) [ZMM5224B-7](#) [RD16UM-T1-A](#) [RD39S-T1-A](#)